

**LEGO**

# NINJAGO

Masters of Spinjitzu



70624

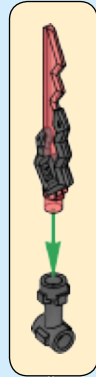
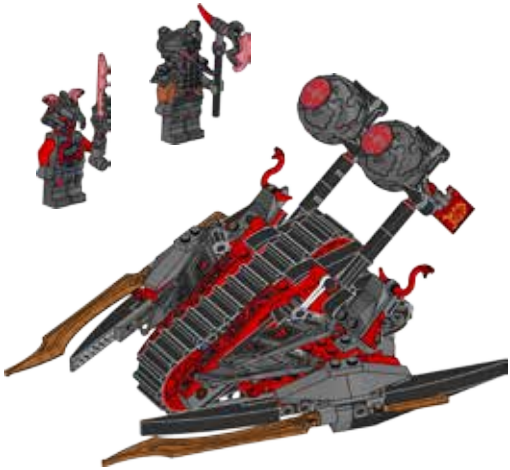
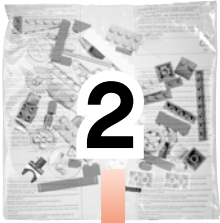


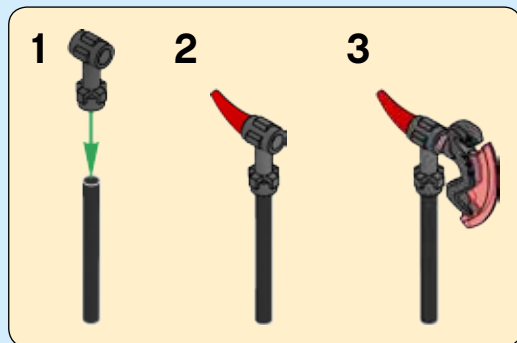
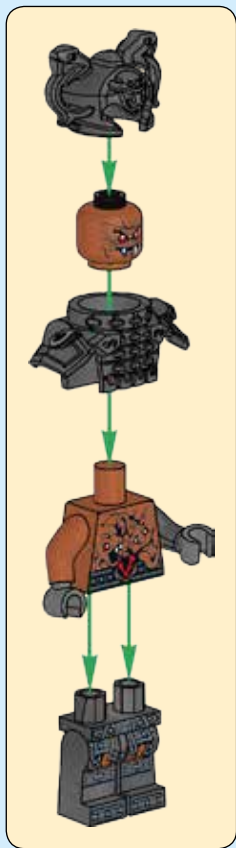
7

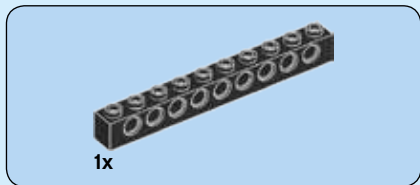
LEGO.com/NINJAGO



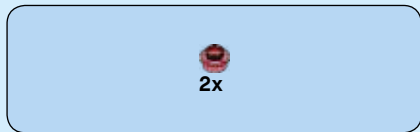
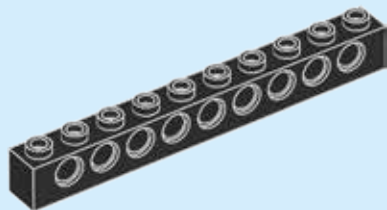
2



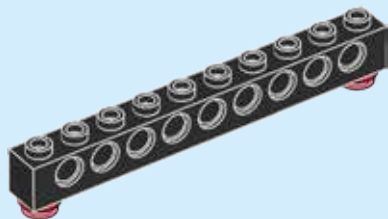




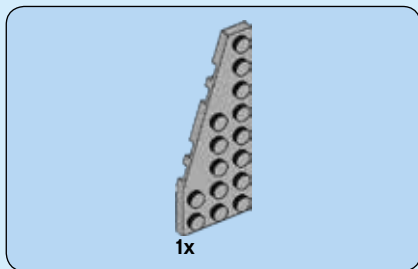
51



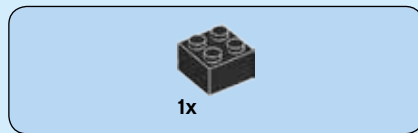
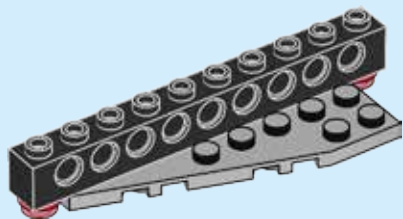
52



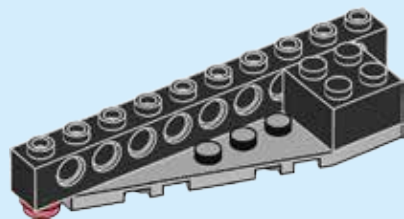


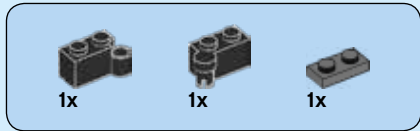


**53**

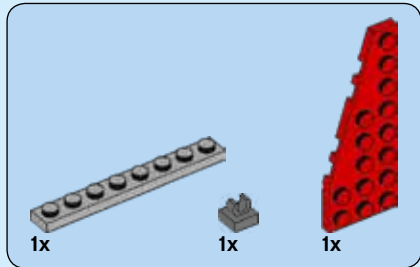
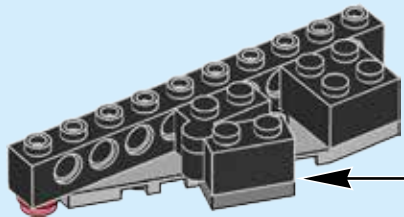
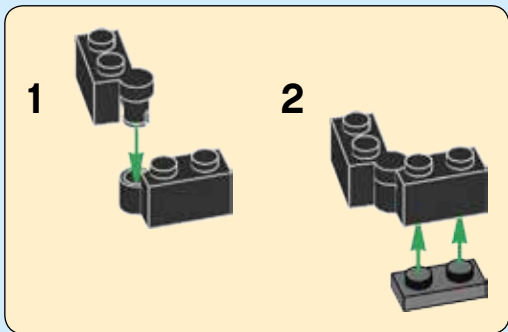


**54**

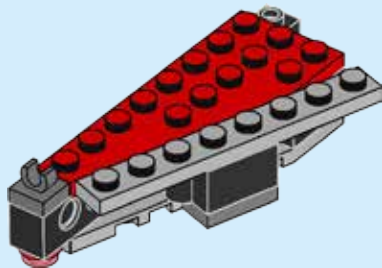


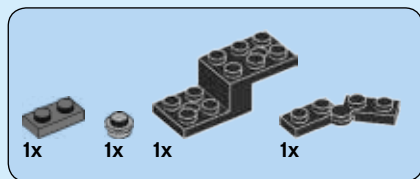


55

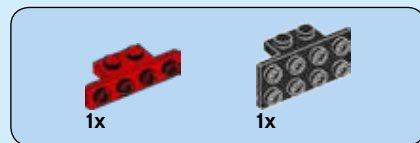
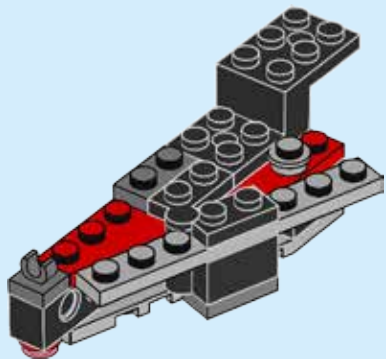


56

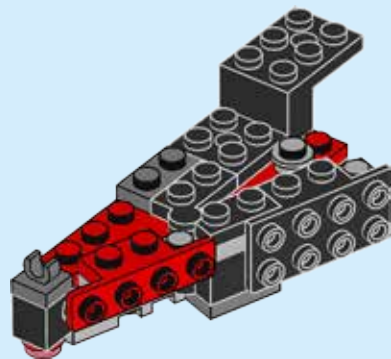


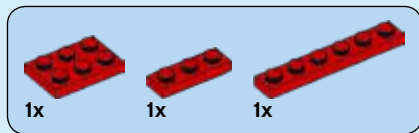


57

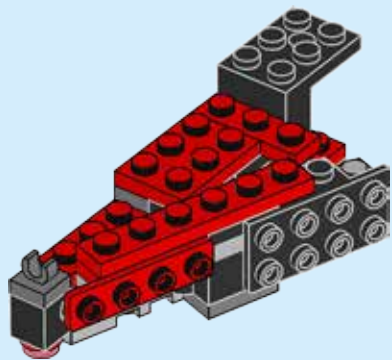


58

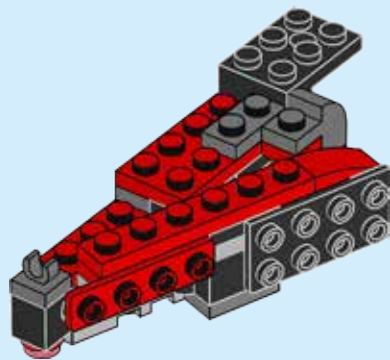




59

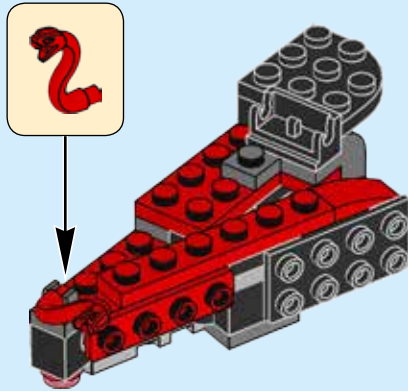


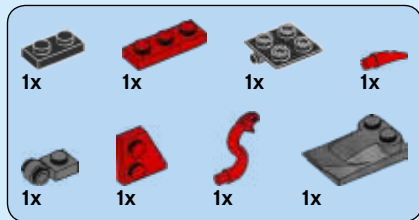
60



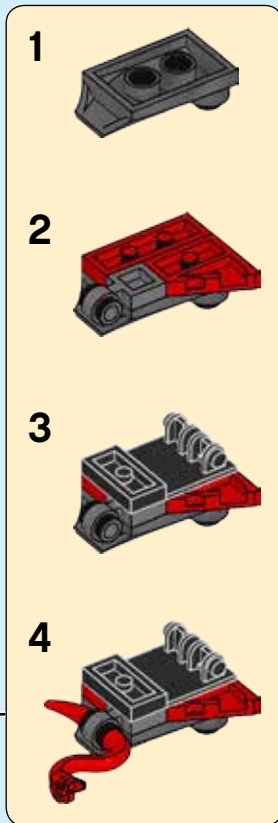
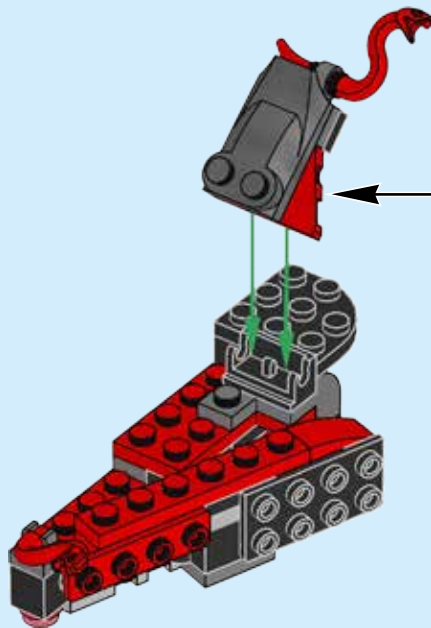


61

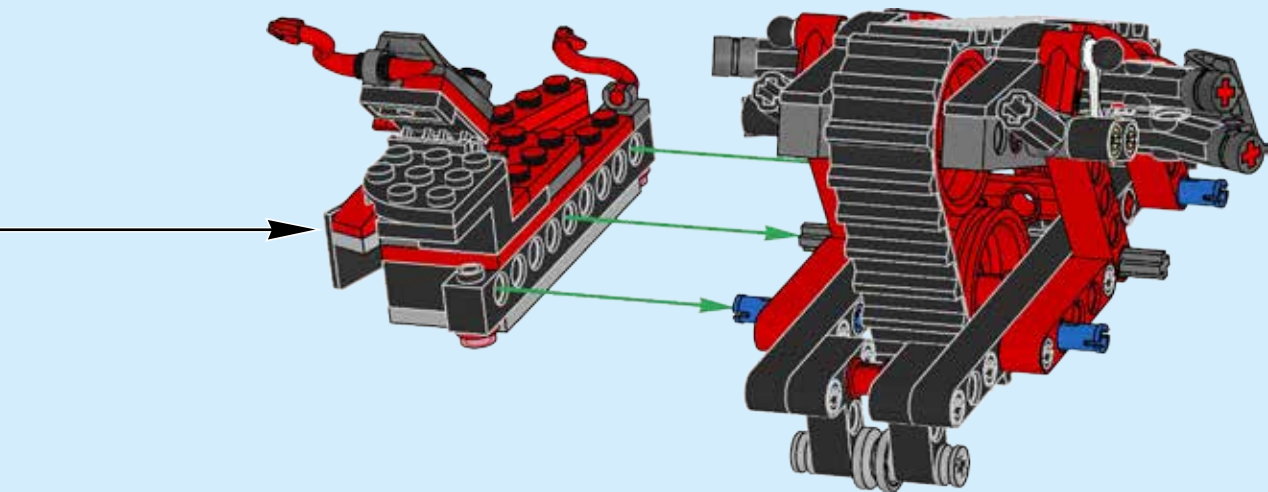
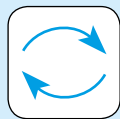




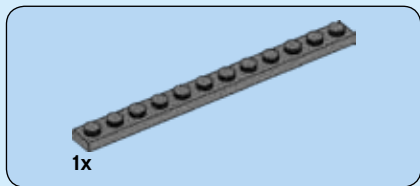
62



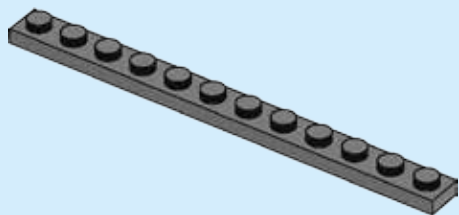
63



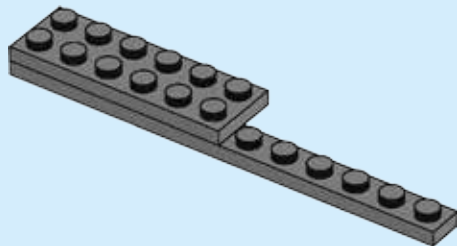


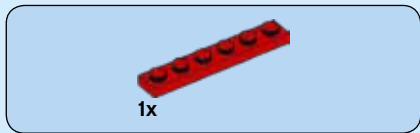


**64**

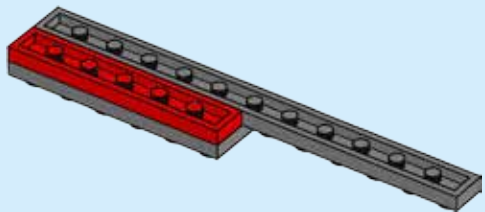
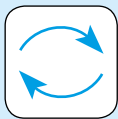


**65**

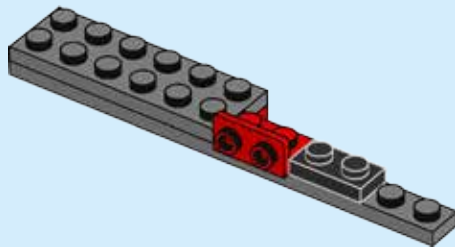
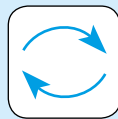


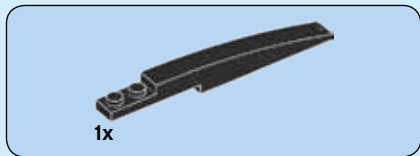


66

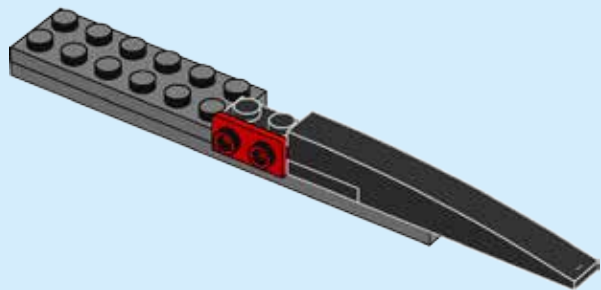


67

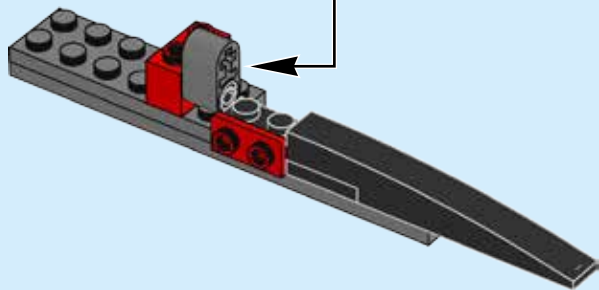
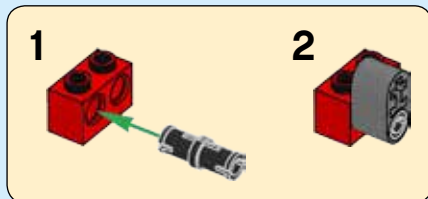


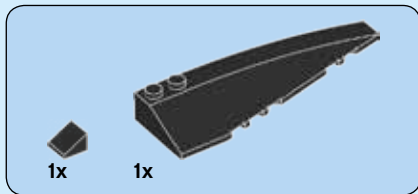


68

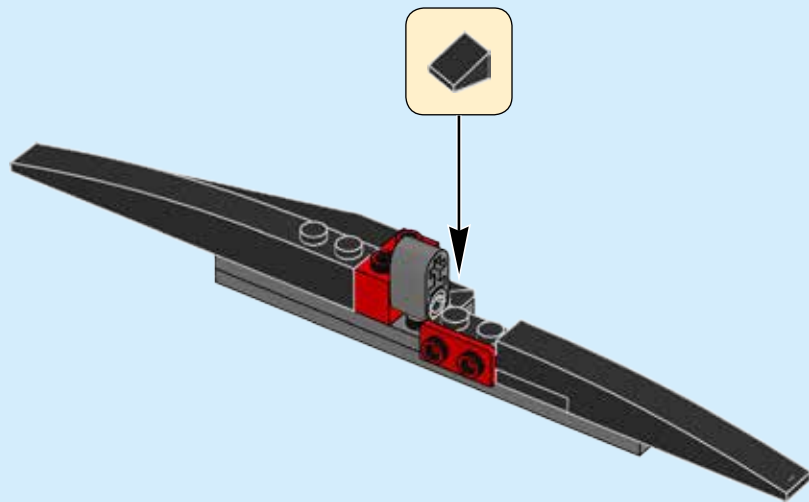


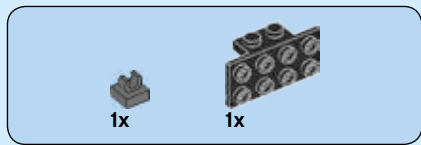
69



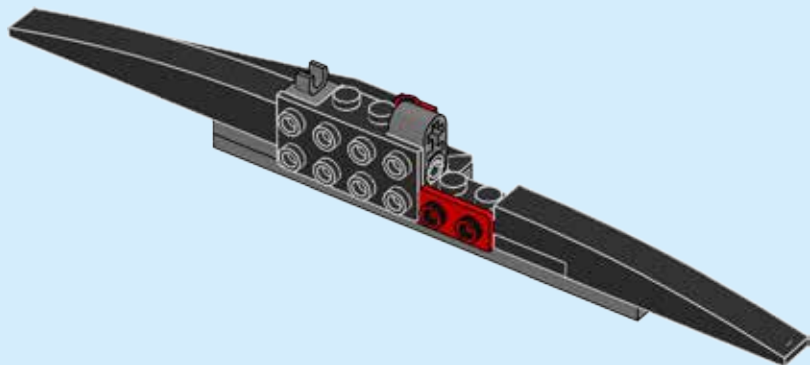


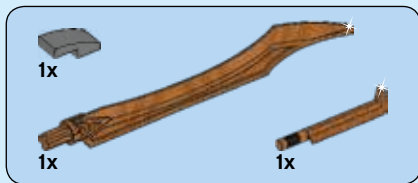
70



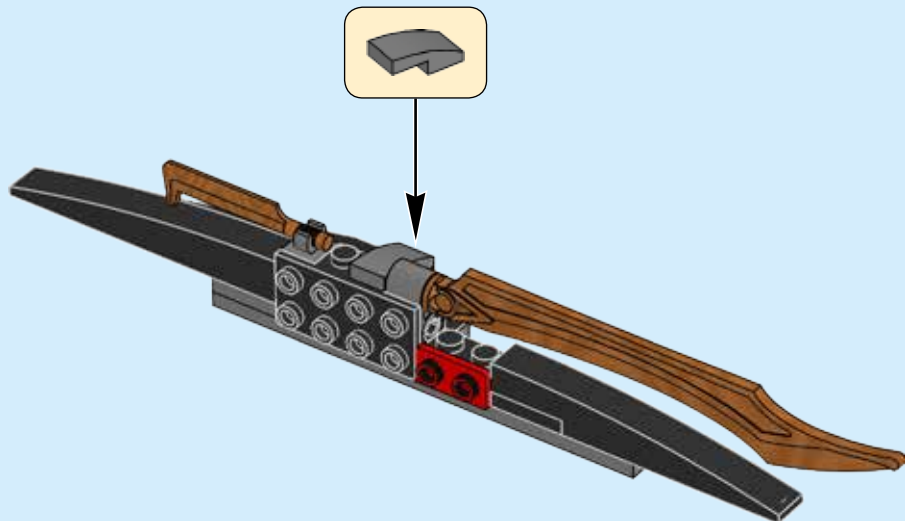


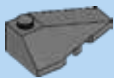
71





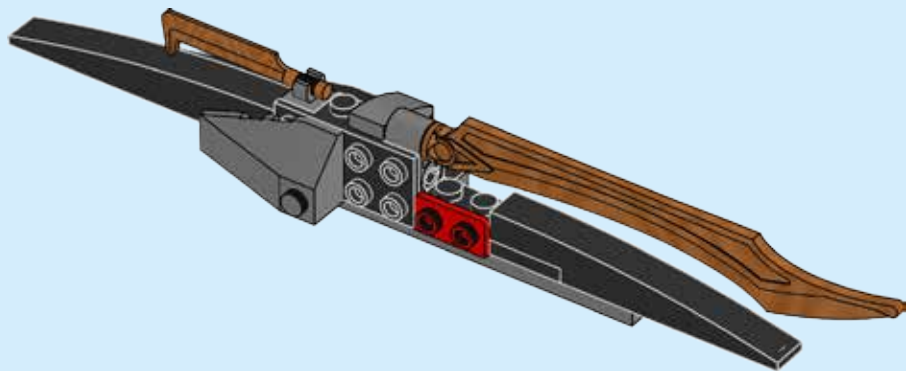
72





1x

73

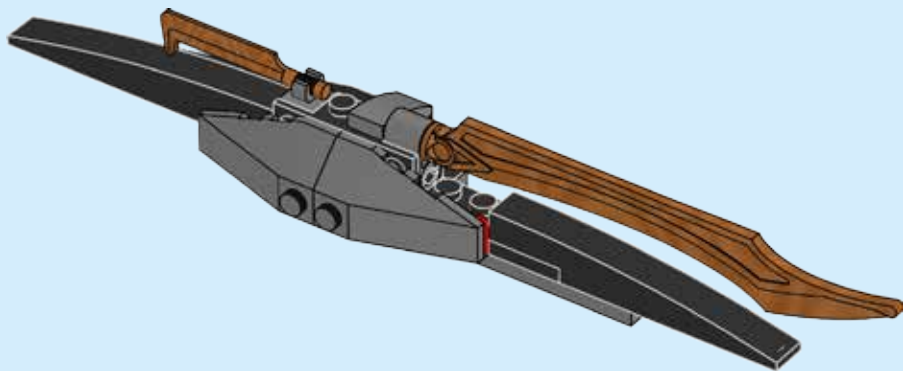






1x

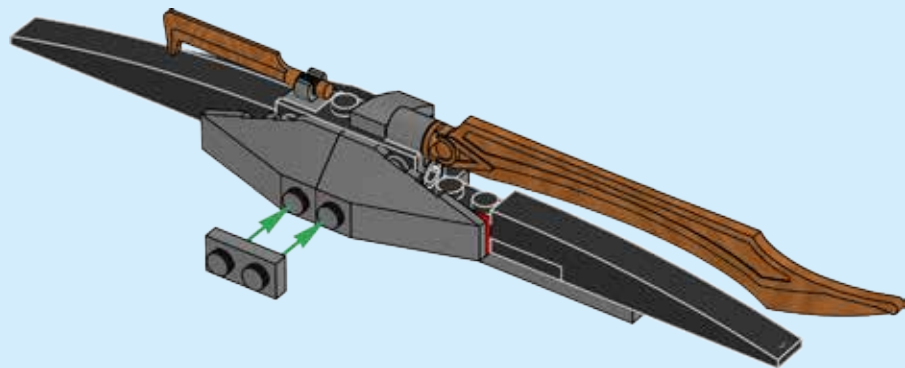
74



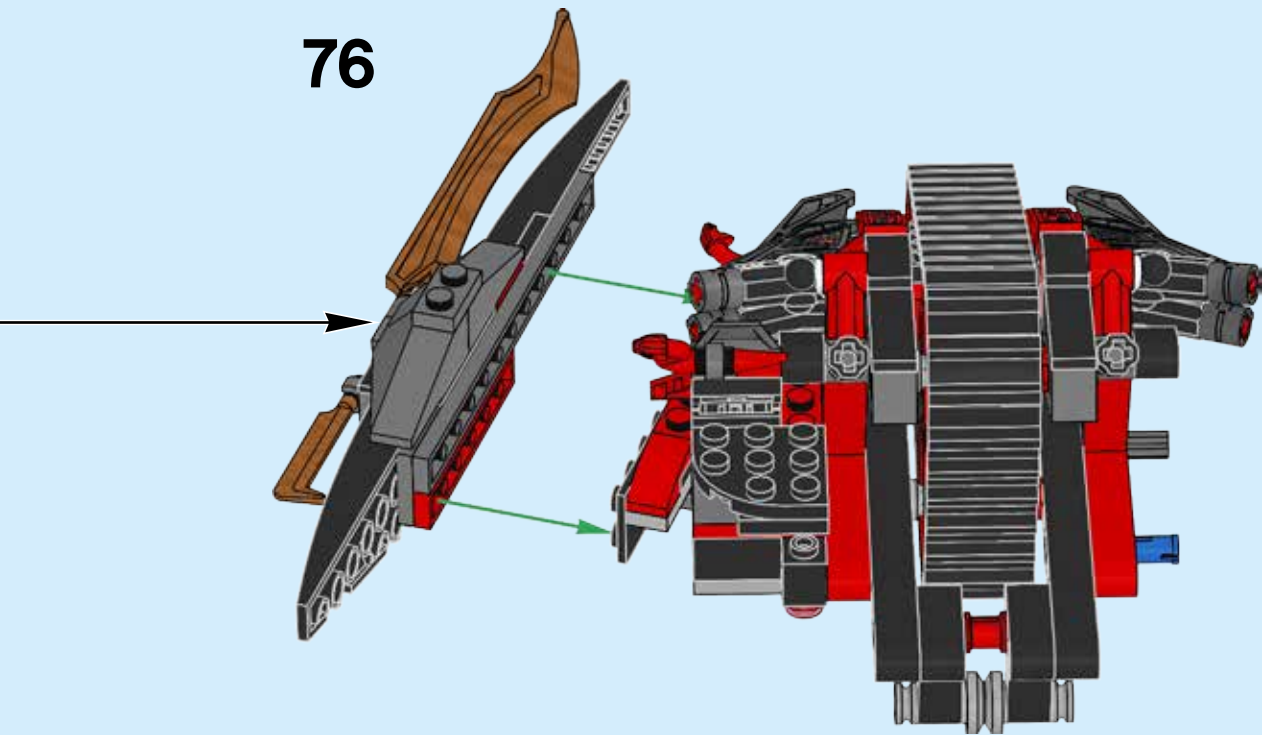


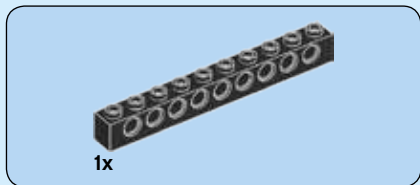
1x

75

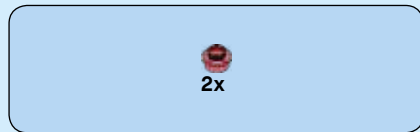
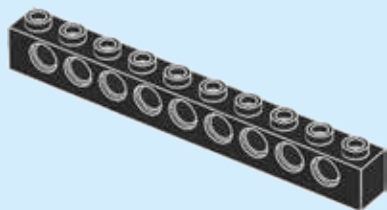


76

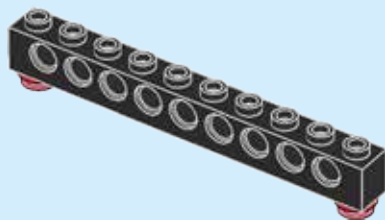


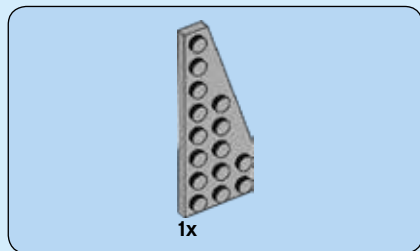


77

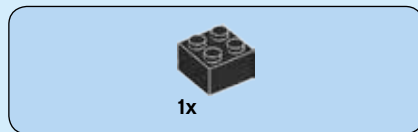
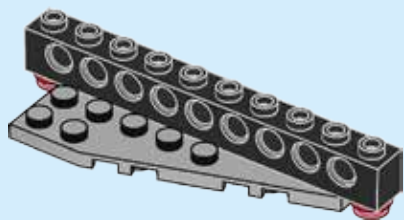


78

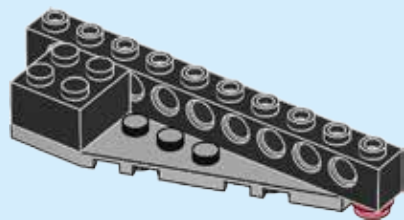


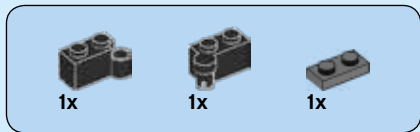


79

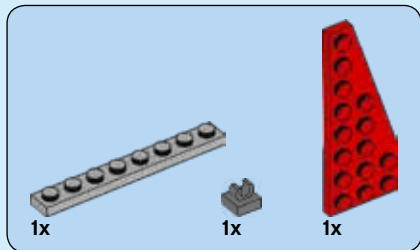
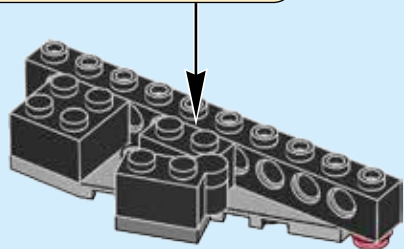
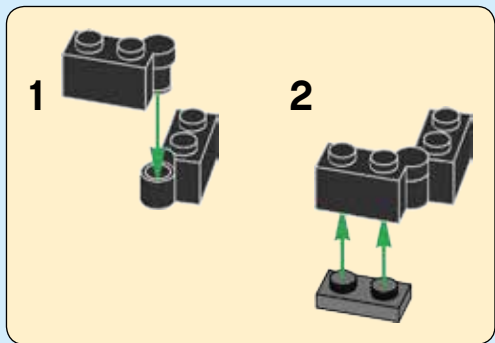


80

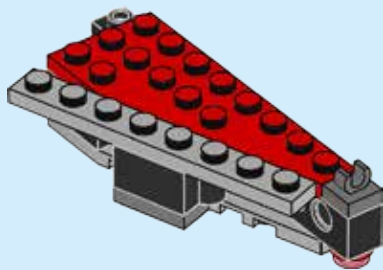


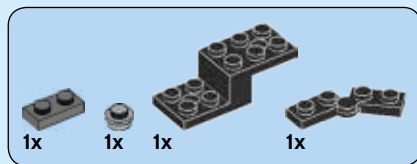


# 81

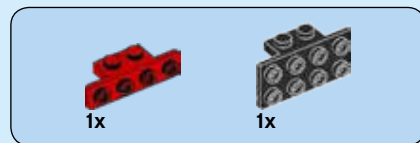
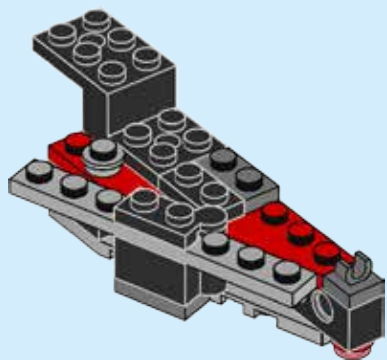


# 82

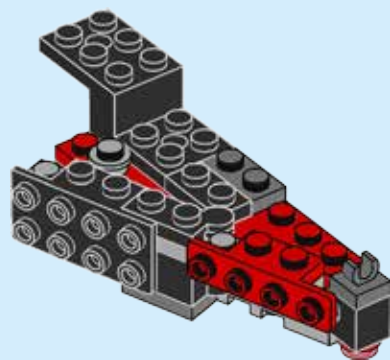




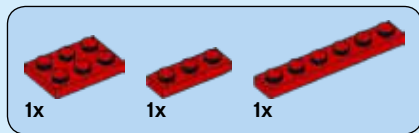
83



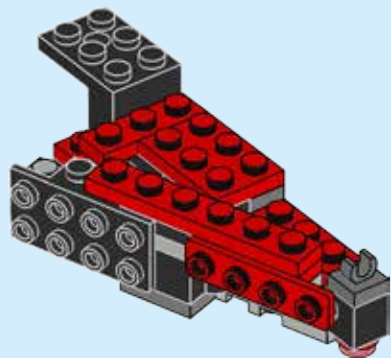
84



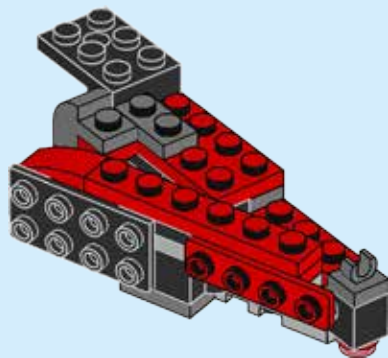


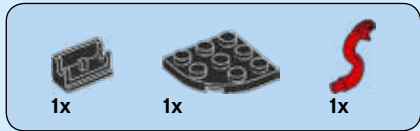


85

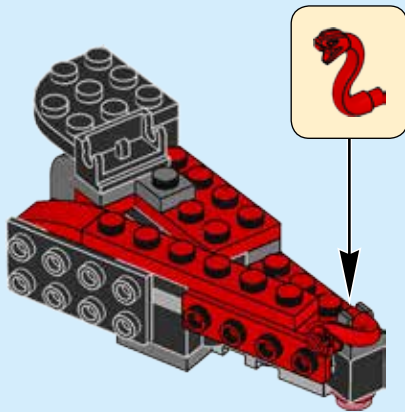


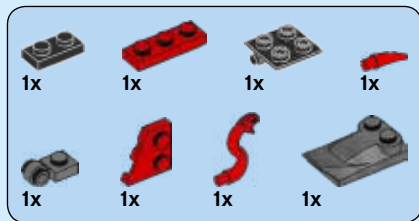
86



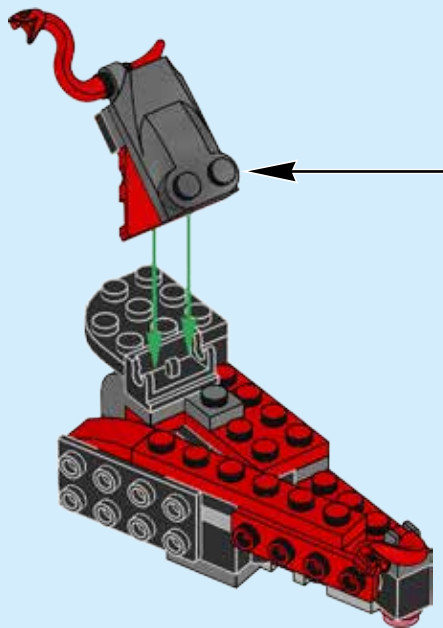


87

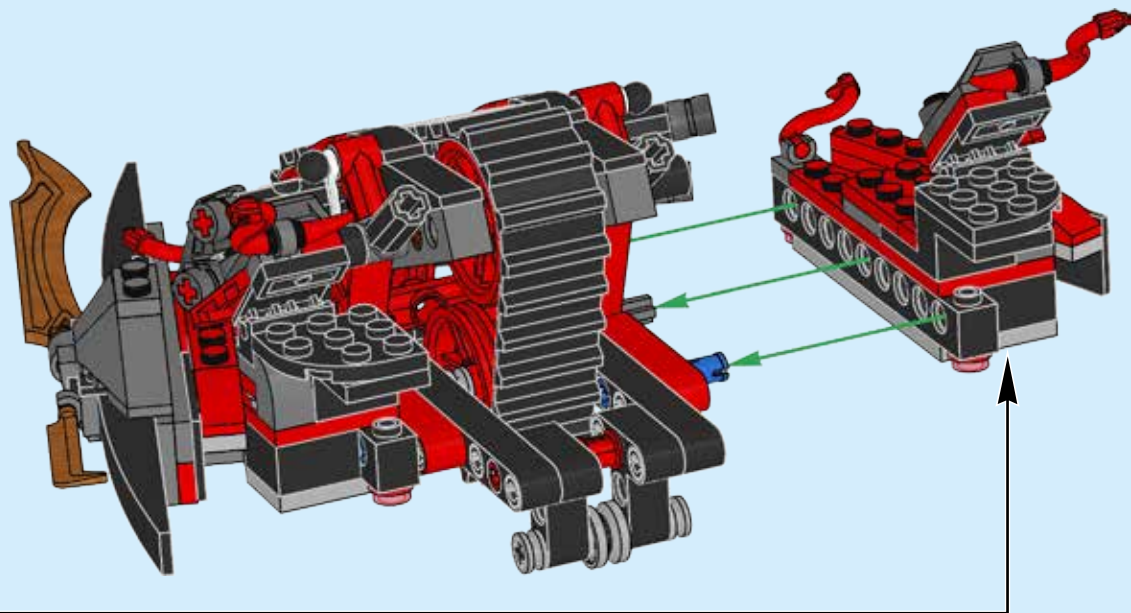


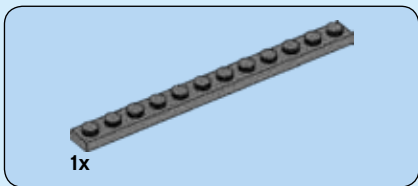
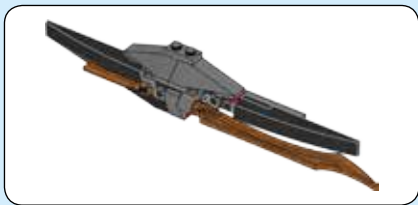


88

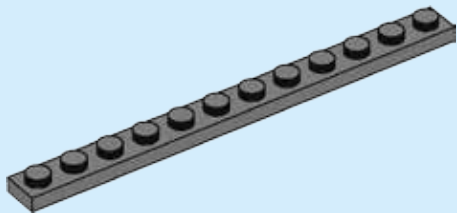


89





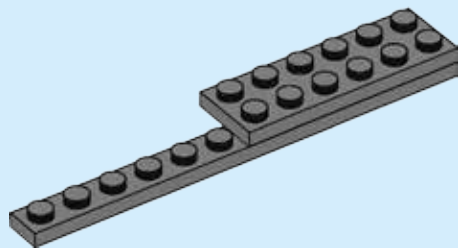
90

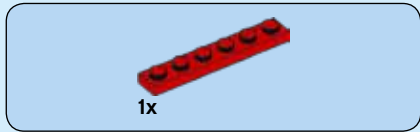


30

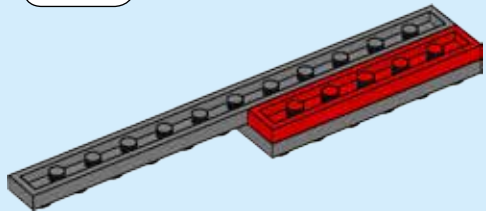
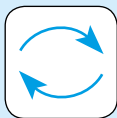


91

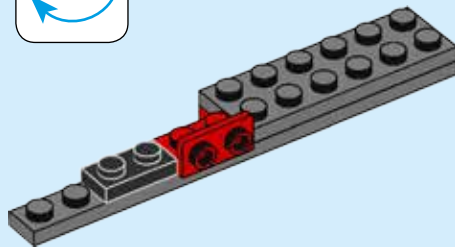
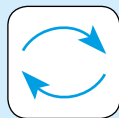


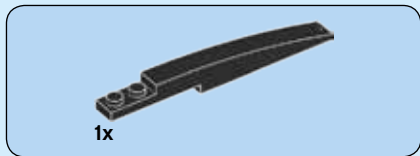


92

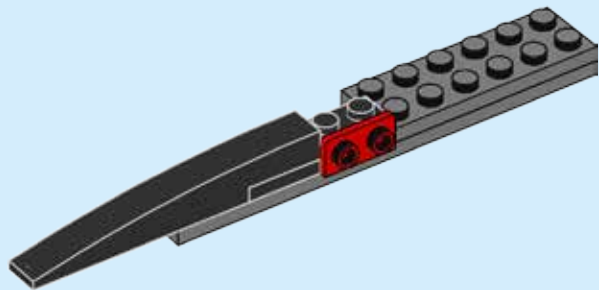


93

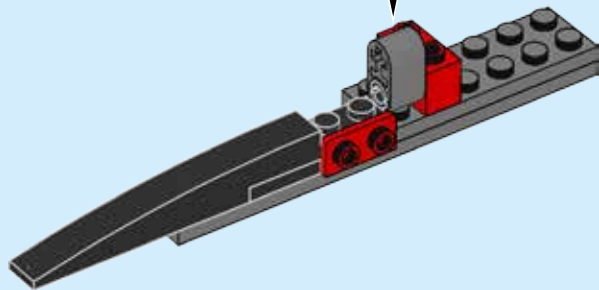
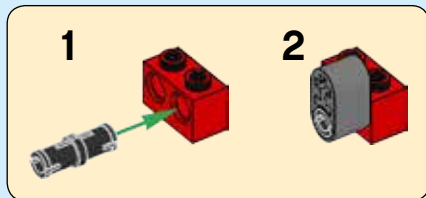


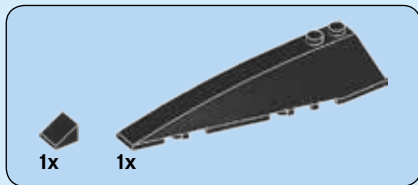


94

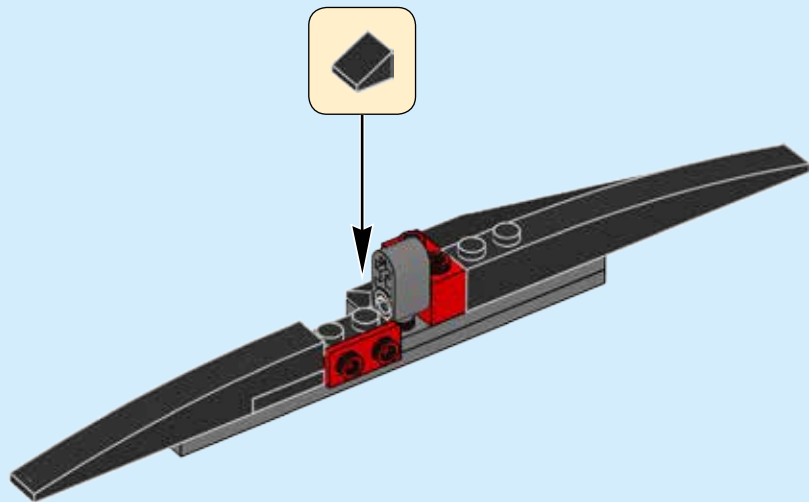


95

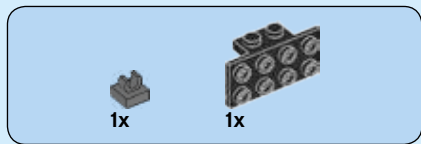




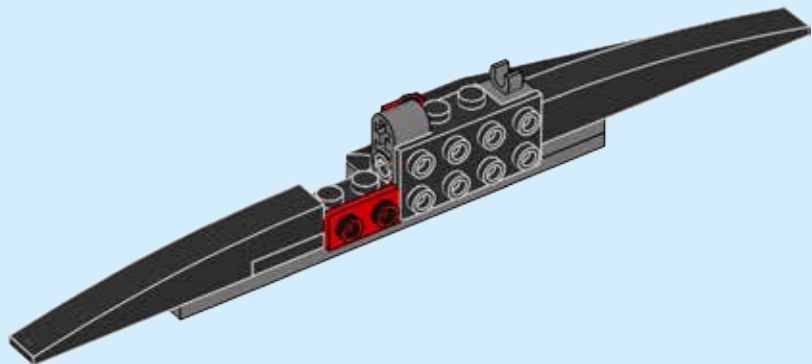
96







97

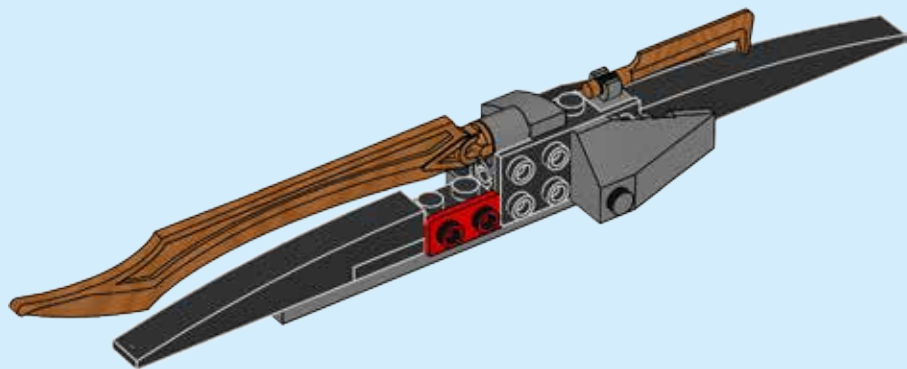






1x

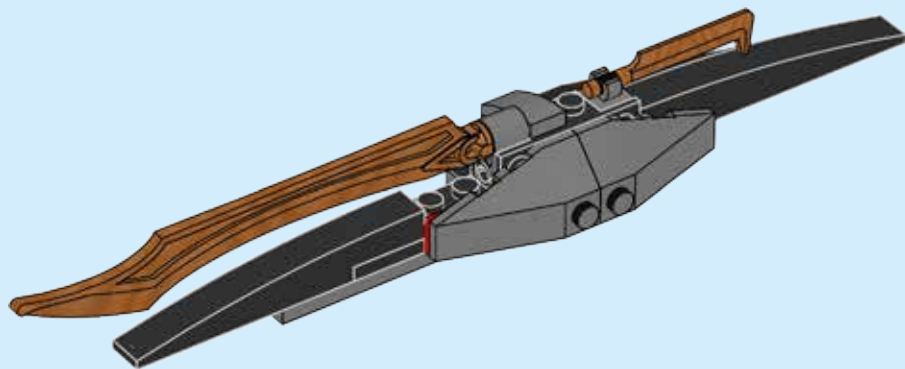
99





1x

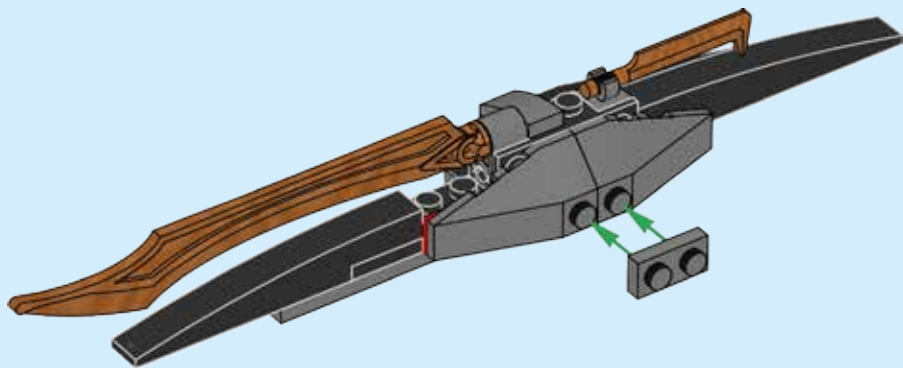
100

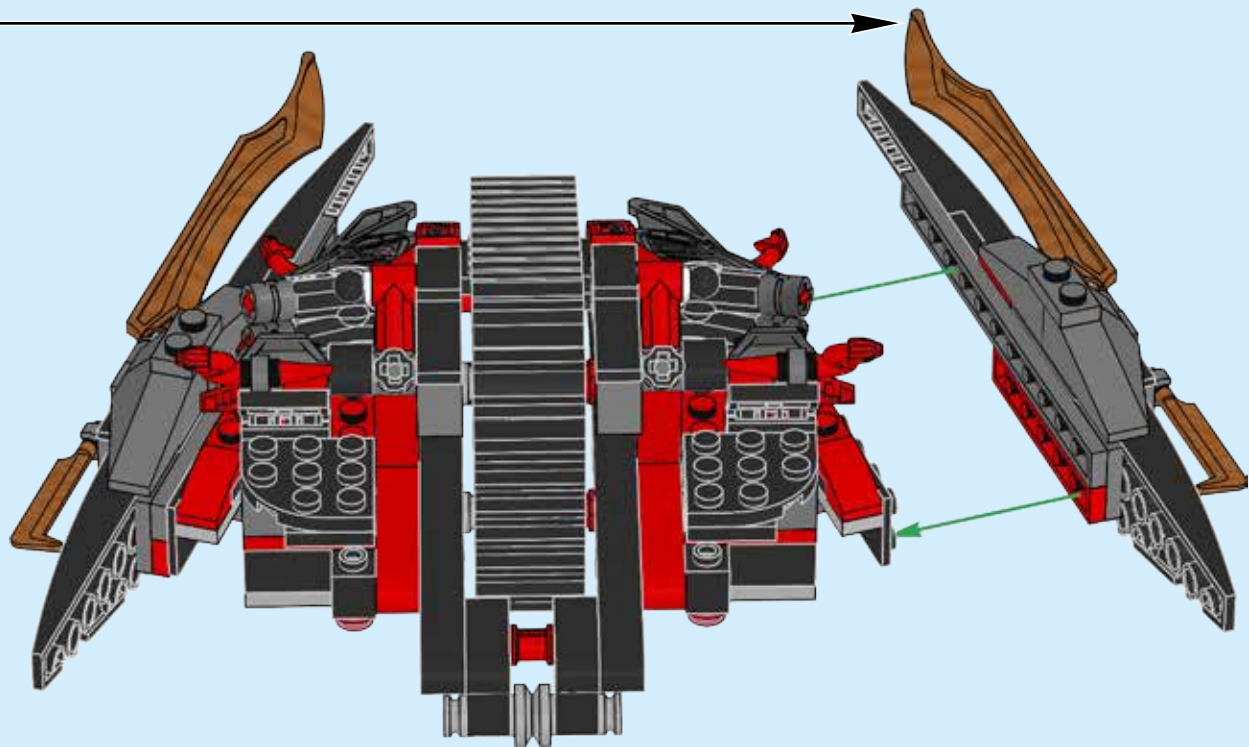


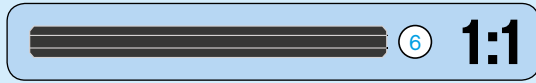
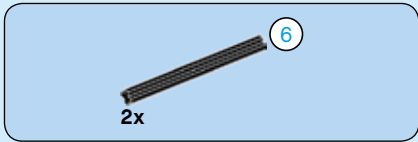


1x

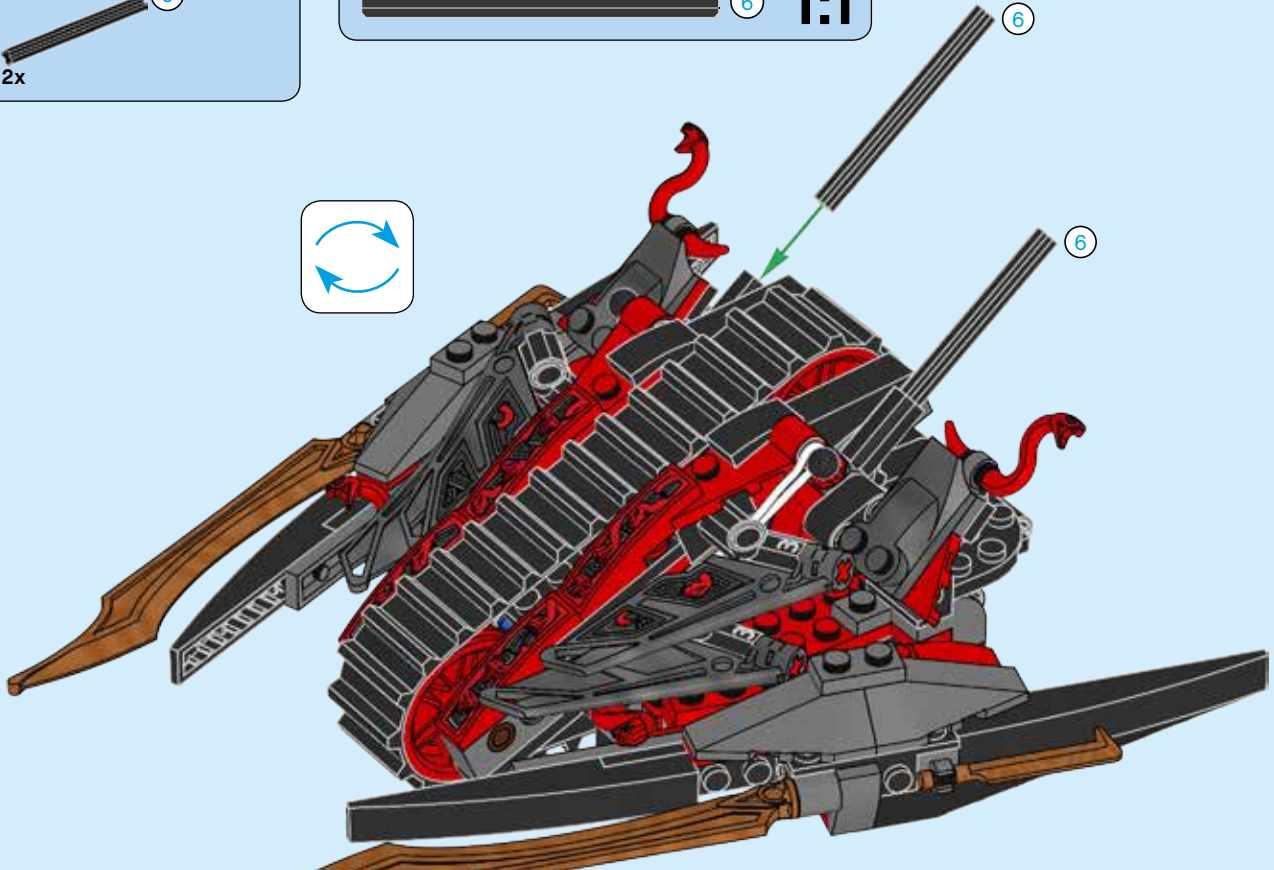
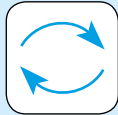
101







103



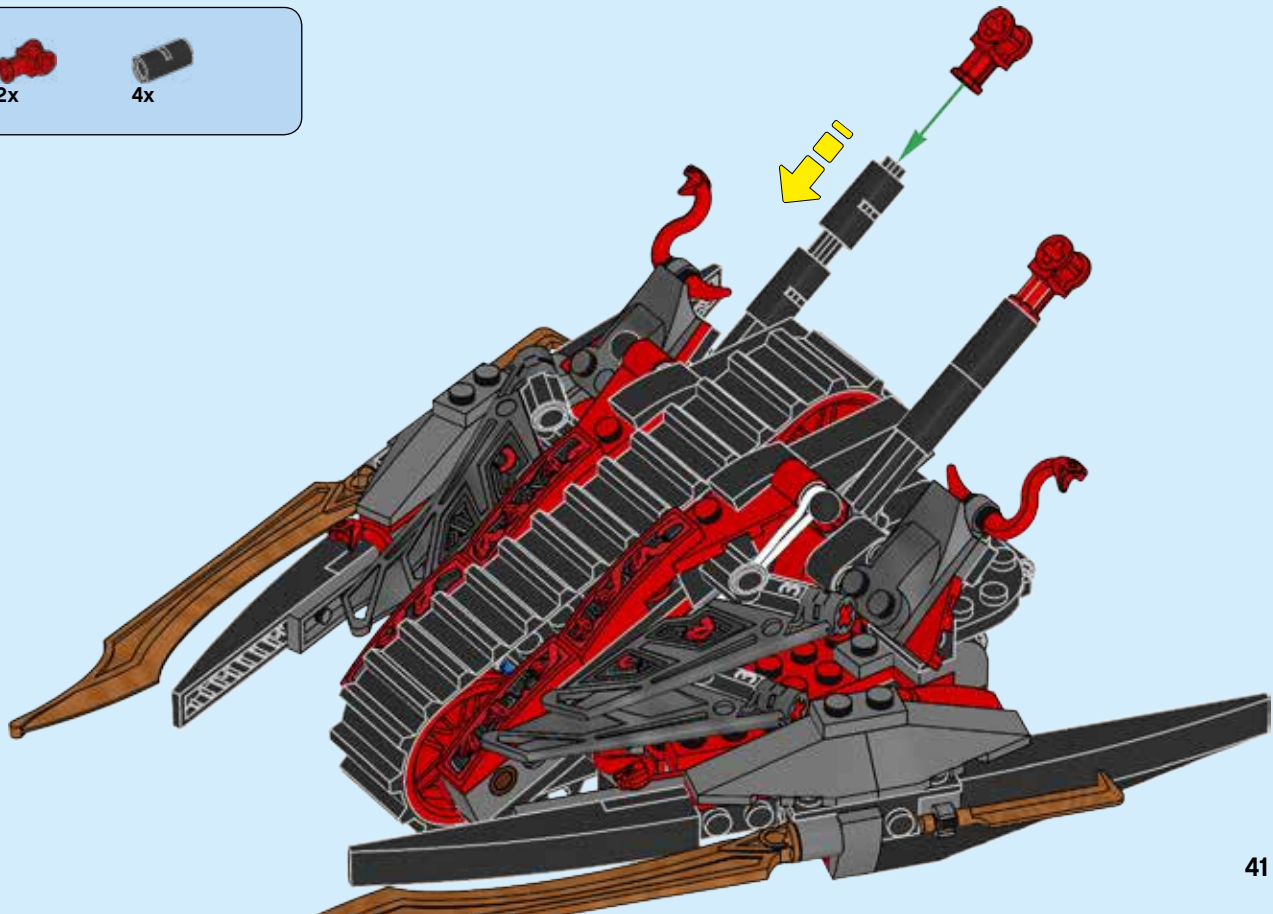


2x

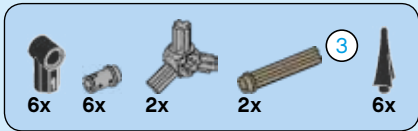
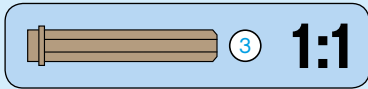


4x

# 104





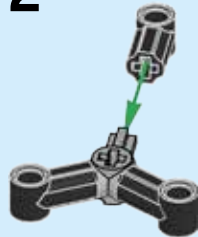


# 105

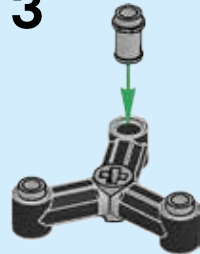
1

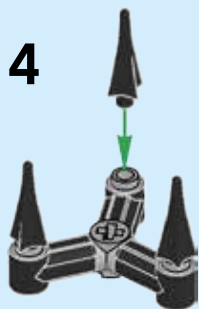


2

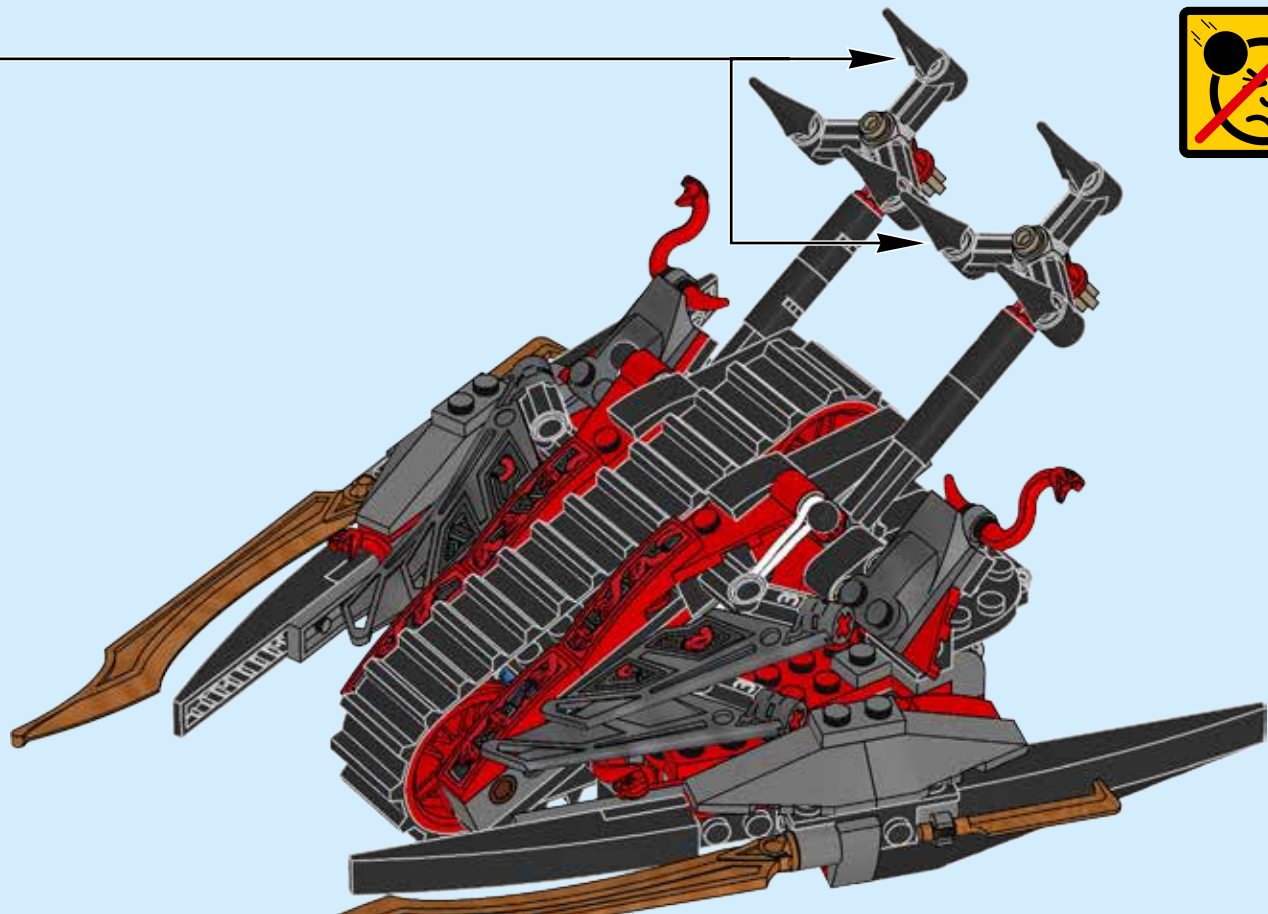


3



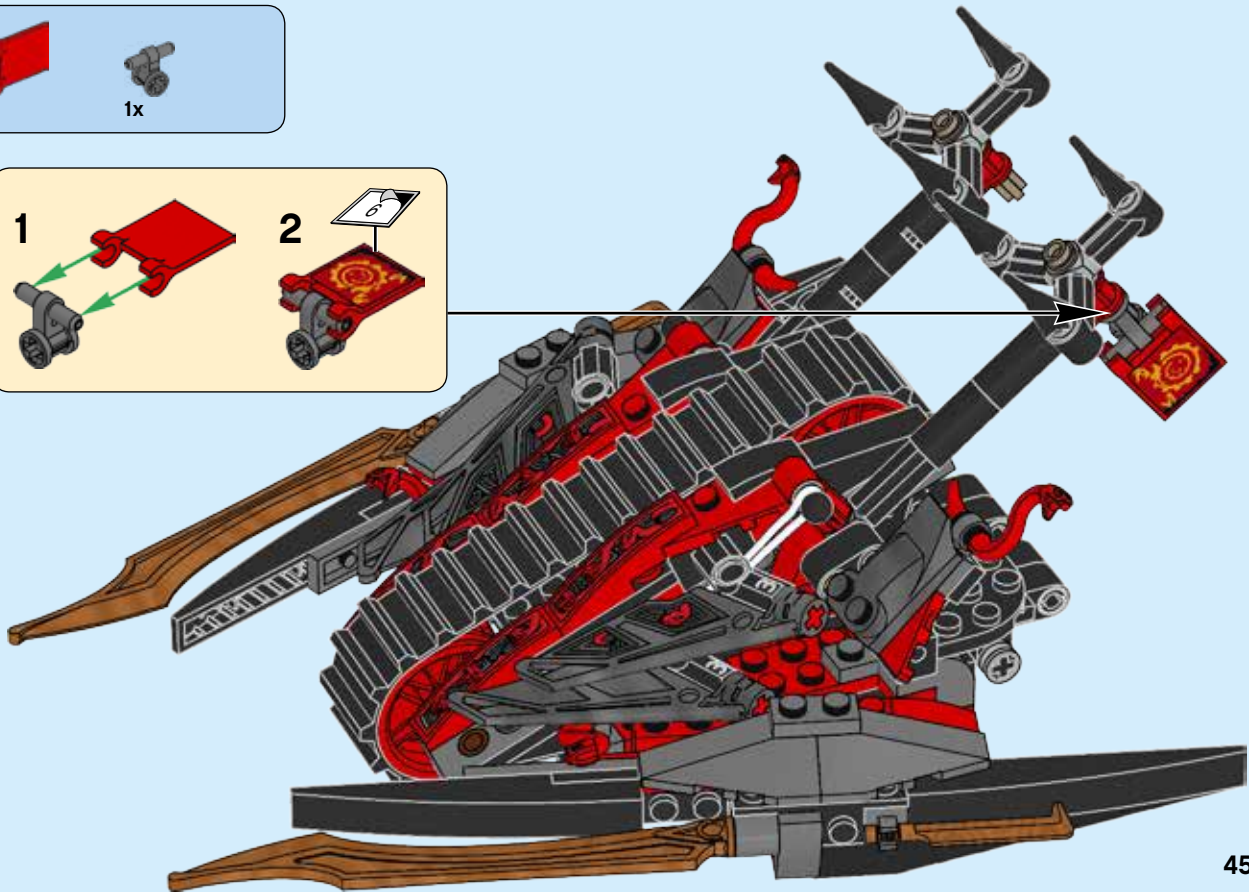
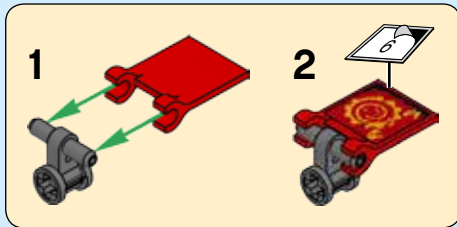


**2x**



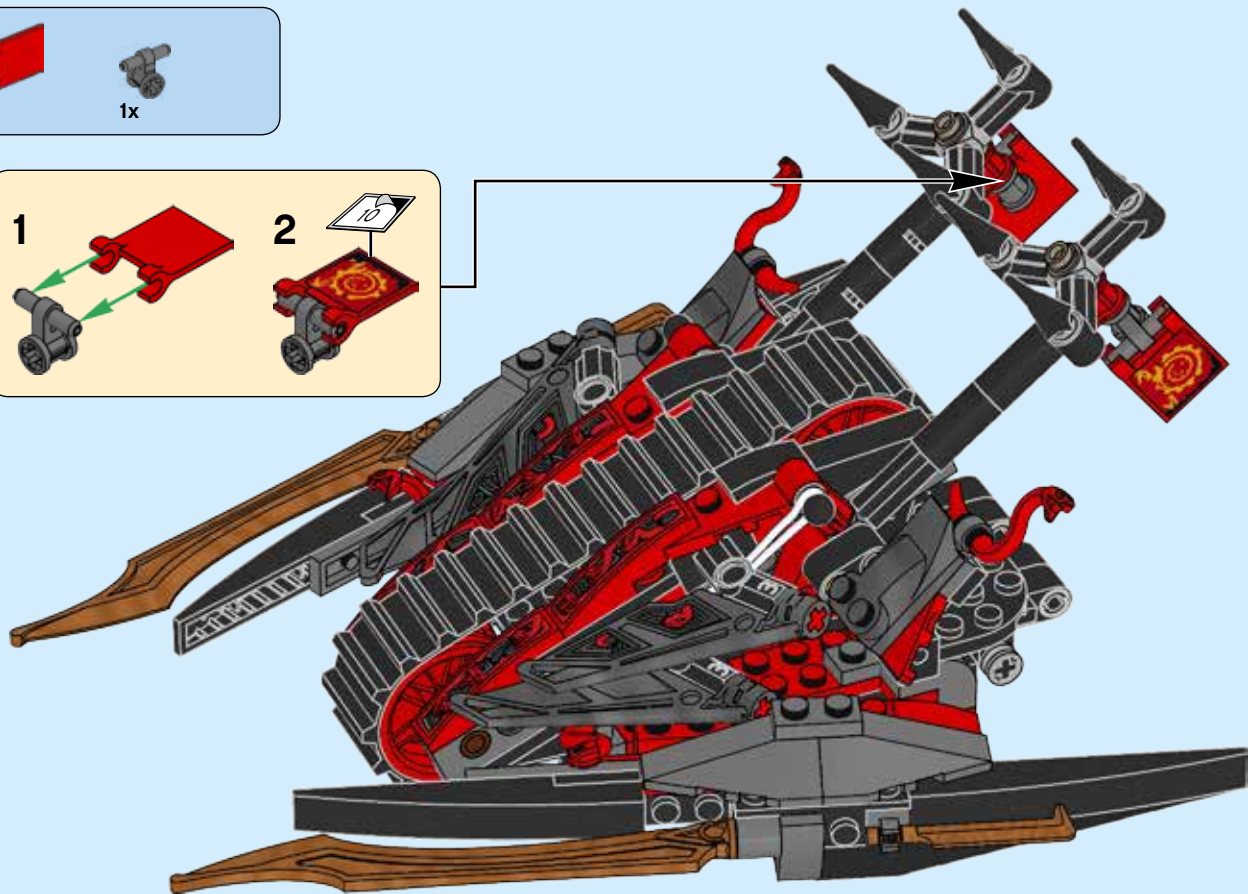
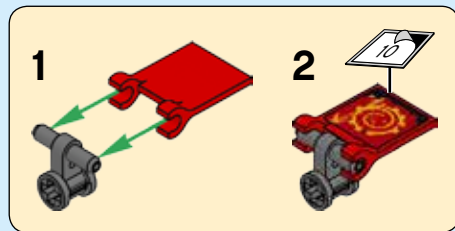


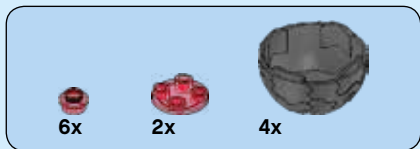
106



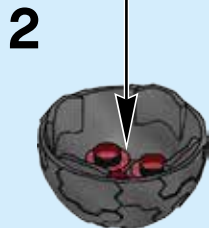


107





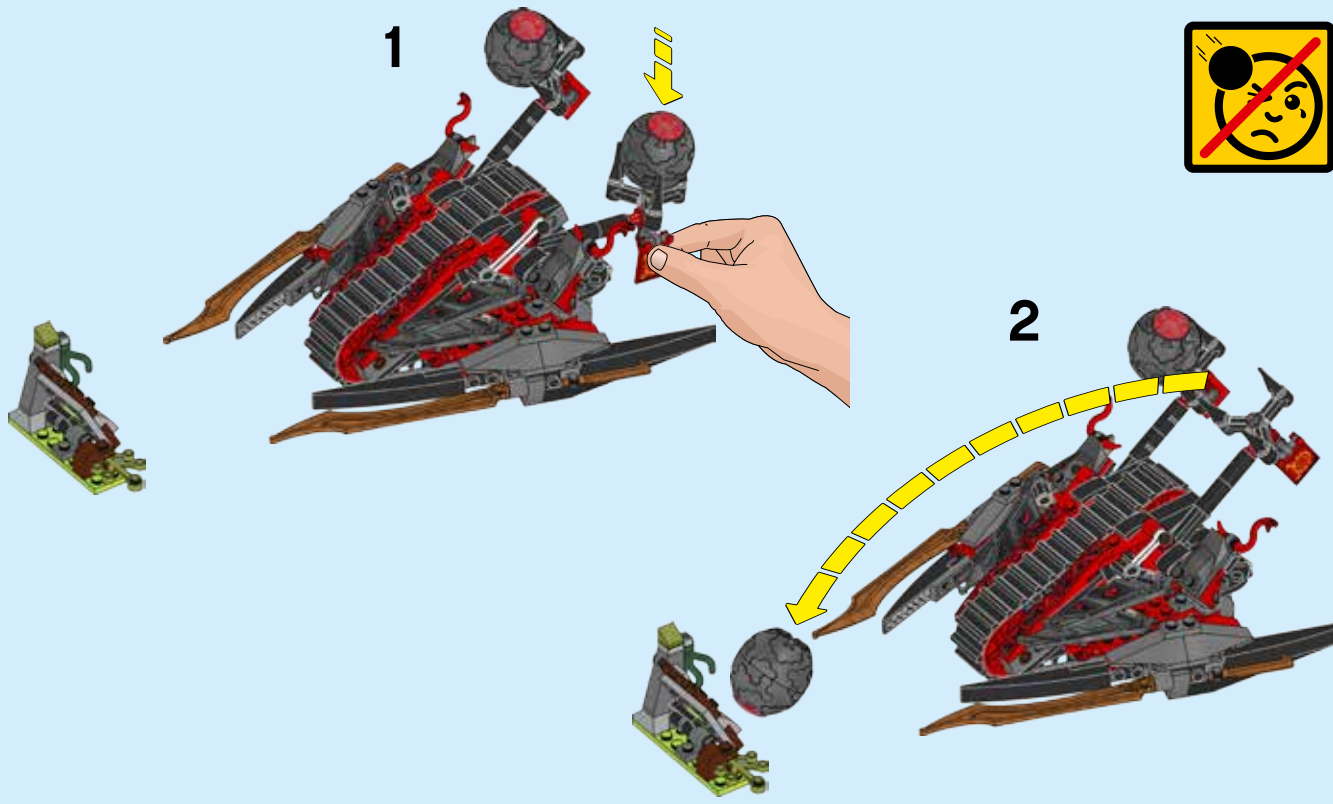
108



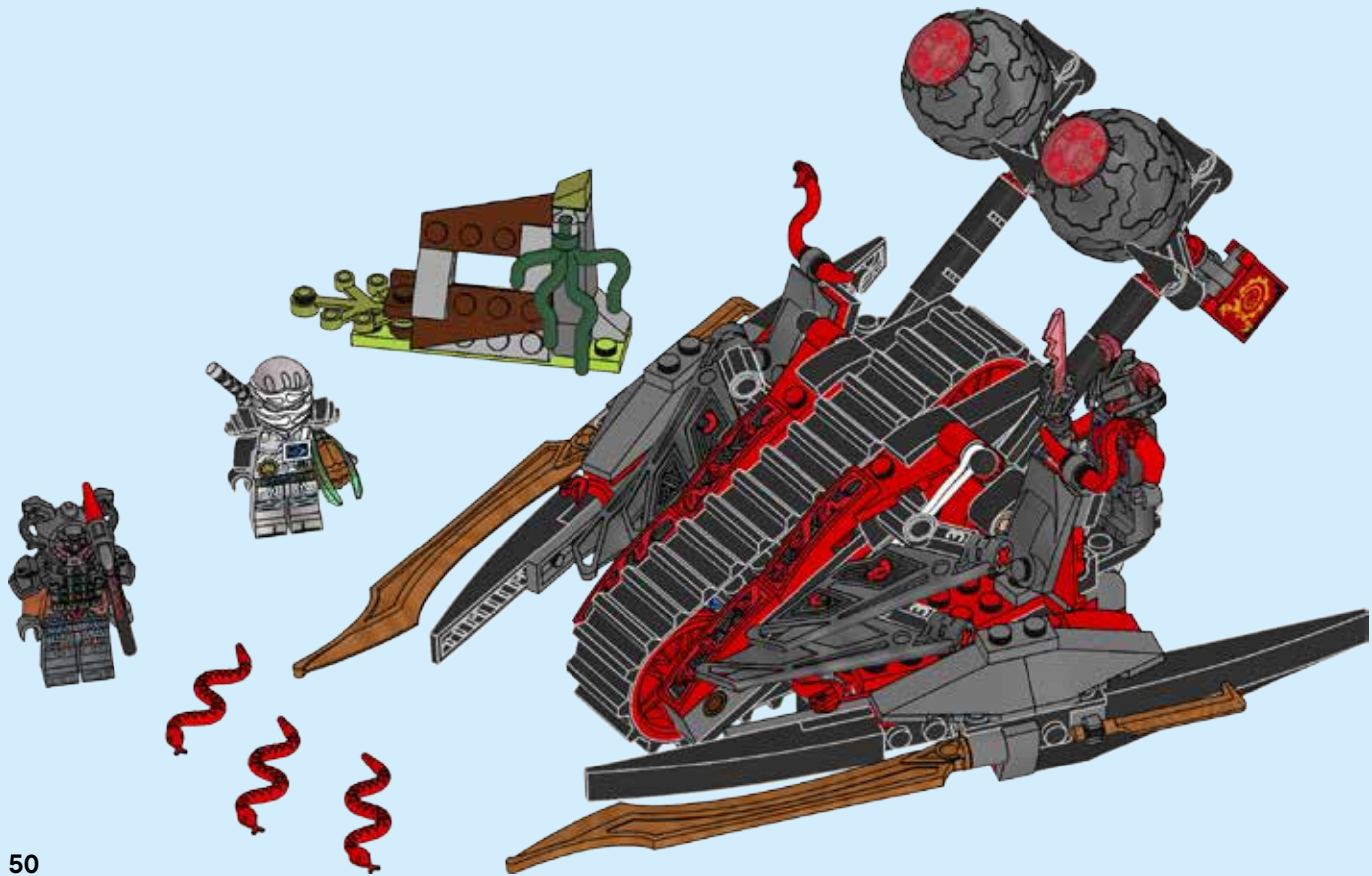
2x  
47











LEGO

# NINJAGO

Masters of Spinjitzu





# NINJAGO

Masters of Spinjitzu



[LEGO.COM/NINJAGO](http://LEGO.COM/NINJAGO)





# NINJAGO

Masters of Spinjitzu



[LEGO.COM/NINJAGO](http://LEGO.COM/NINJAGO)



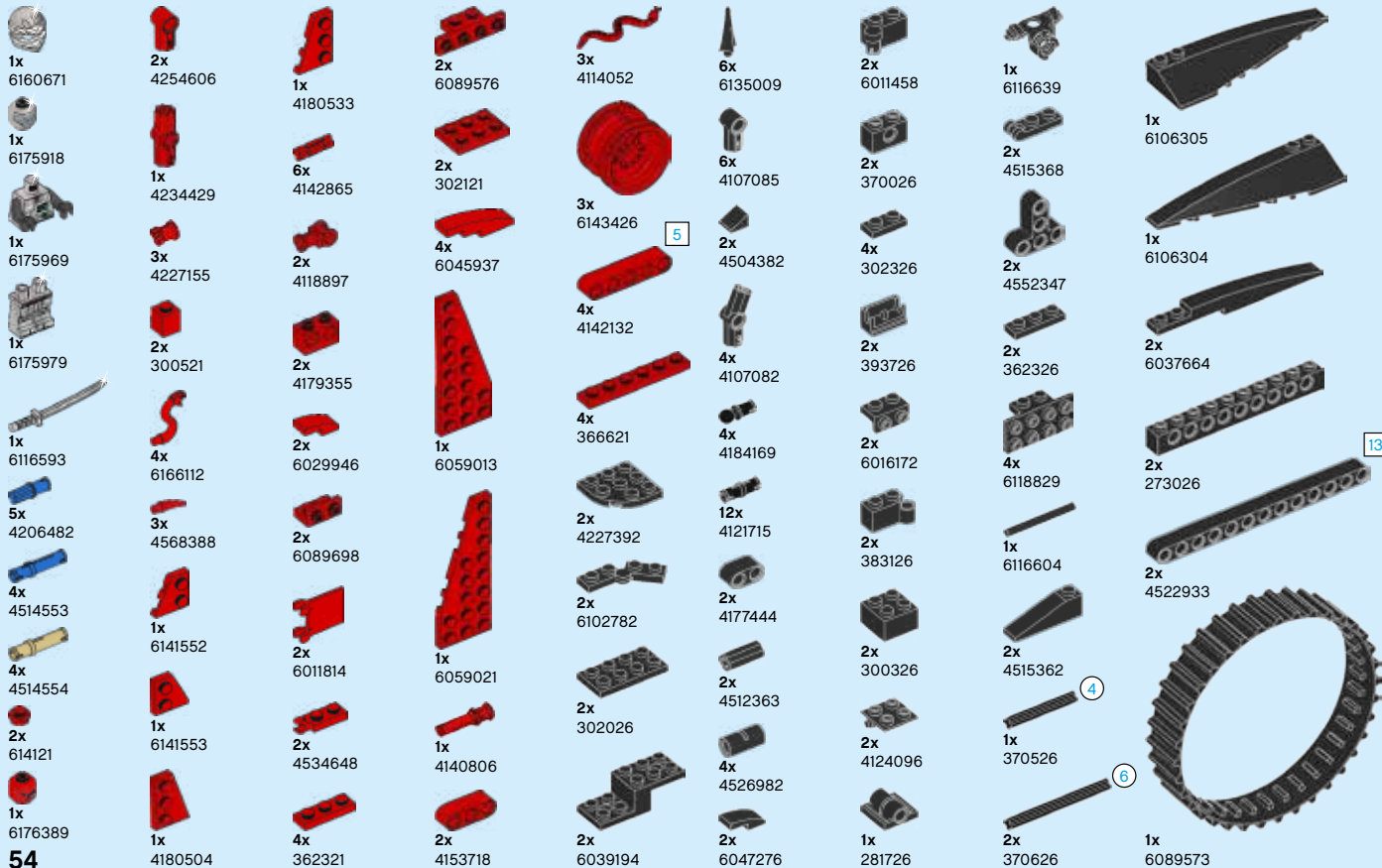
Download on the  
App Store

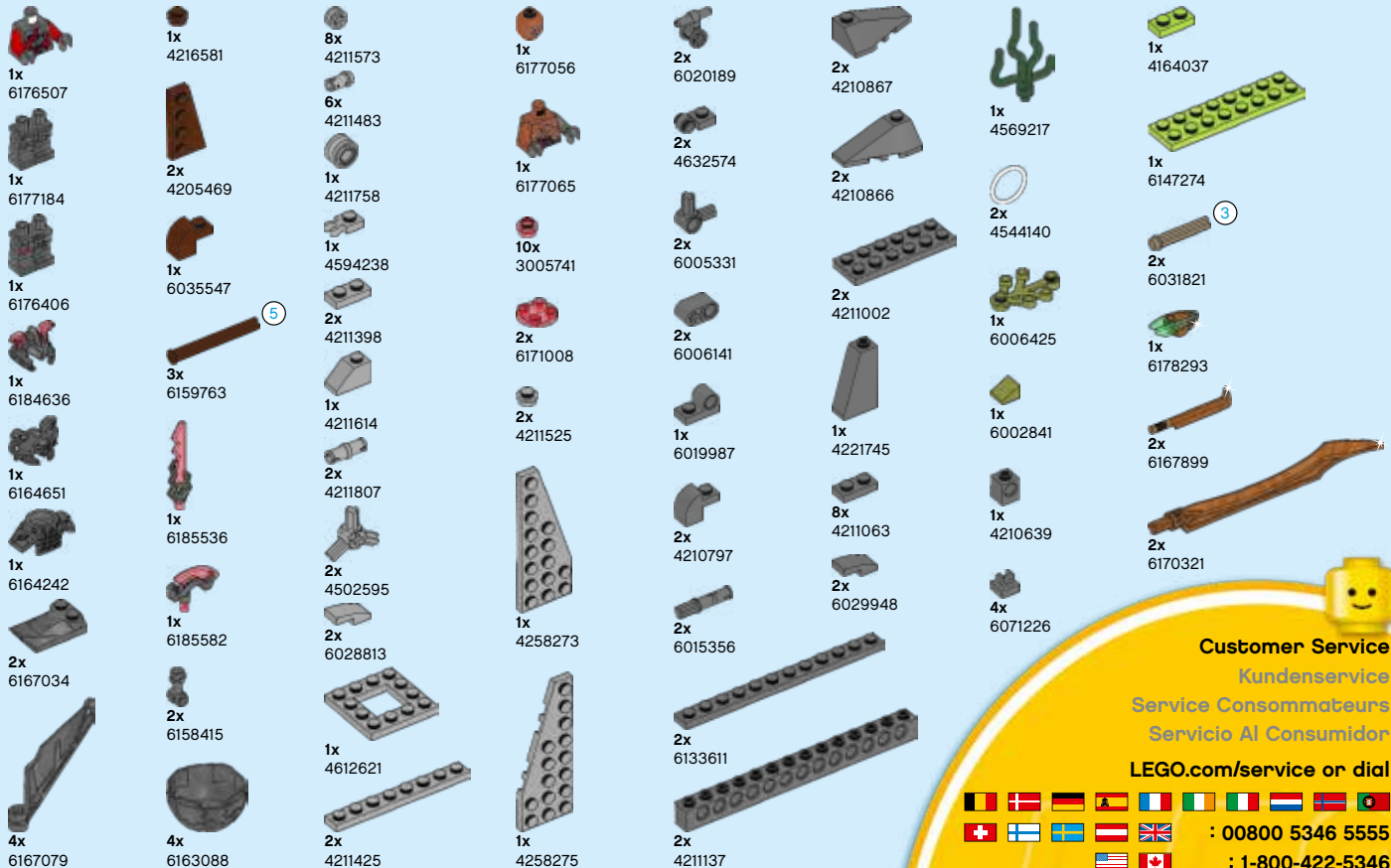


Ask parents' permission first.  
Demande d'abord l'autorisation d'un parent.  
Pide antes permiso a tus padres.

Apple and the Apple logo are trademarks of Apple Inc.,  
registered in the U.S. and other countries. App Store is  
a service mark of Apple Inc.

Google Play is a trademark of Google Inc.





**Customer Service**

**Kundenservice**

**Service Consommateurs**

**Servicio Al Consumidor**

**LEGO.com/service or dial**

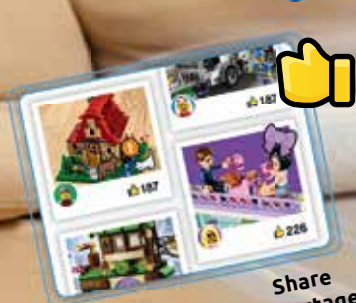


**: 00800 5346 5555**

**: 1-800-422-5346**



Minifigure yourself  
 Transforme-toi en figurine  
 Conviértete en una minifigura



Share  
 Partage  
 Comparte



Create  
 Crée  
 Crea



All your LEGO® fun in one app  
 Tout l'amusement LEGO® dans une appli  
 Toda la diversión LEGO® en una app



Check availability of LEGO LIFE in your country now on [LEGO.com/life](http://LEGO.com/life)  
 Vérifie la disponibilité de LEGO LIFE dans ton pays sur [LEGO.com/life](http://LEGO.com/life)  
 Consulta si LEGO LIFE está disponible en tu país en [LEGO.com/life](http://LEGO.com/life)

Ask parents' permission first.  
 Demande d'abord l'autorisation d'un parent.  
 Pide antes permiso a tus padres.

Apple and the Apple logo are trademarks of Apple Inc., registered in the U.S. and other countries.  
 App Store is a service mark of Apple Inc. Google Play is a trademark of Google Inc.

6196164

LEGO, the LEGO logo, the Minifigure, the Brick and Knob configurations and the LIFE logo are trademarks and/or copyrights of the/sont des marques de commerce et/ou copyrights du/son marcas registradas, algunas de ellas protegidas por derechos de autor, de LEGO Group. ©2017 The LEGO Group. All rights reserved/Tous droits réservés/Todos los derechos reservados.