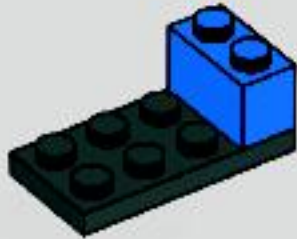
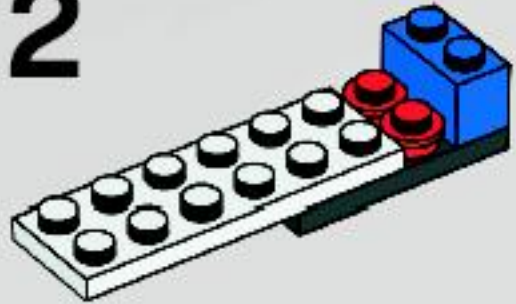




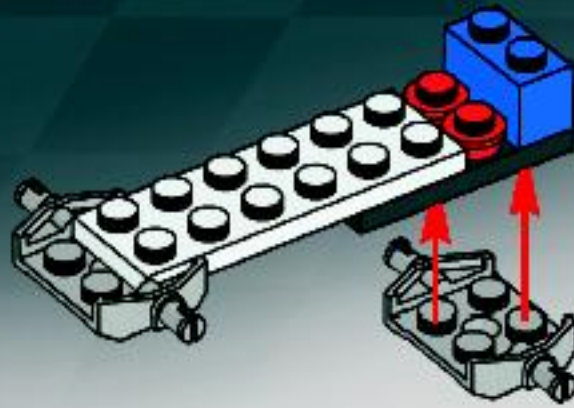
1



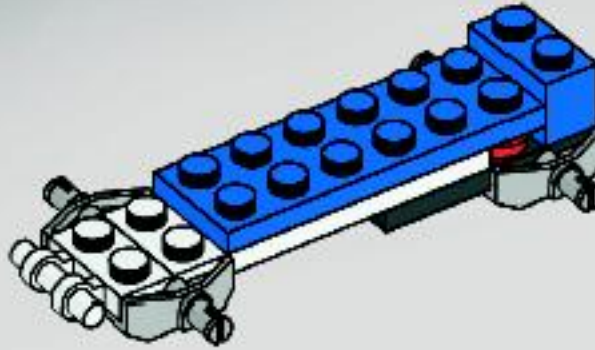
2



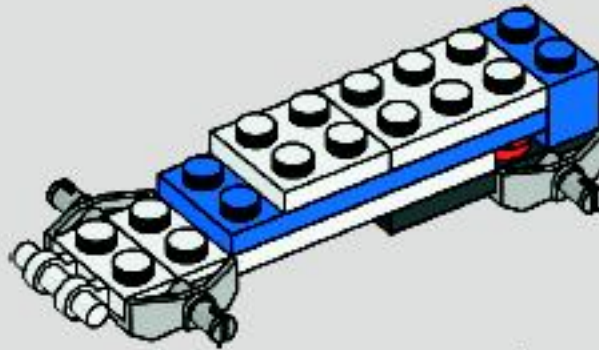
3



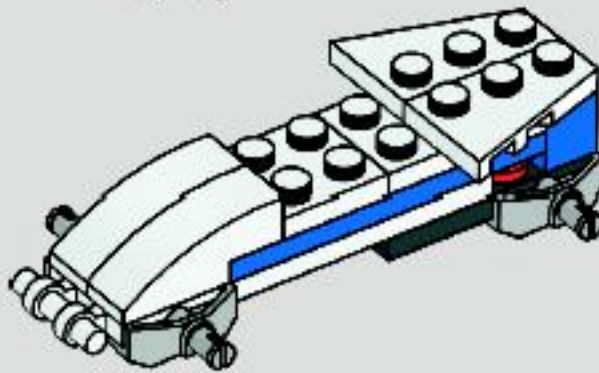
4



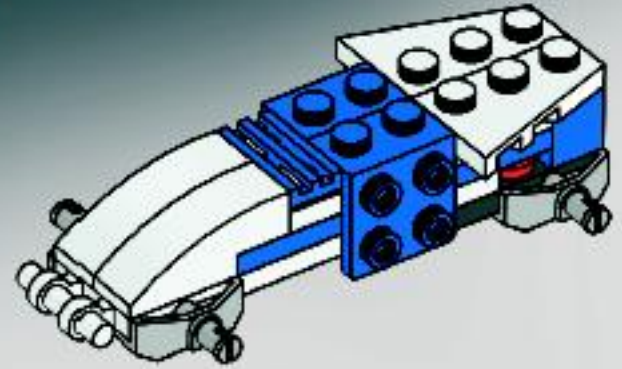
5



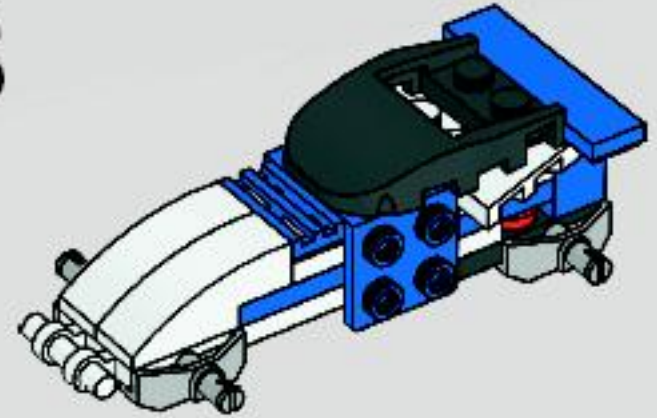
6



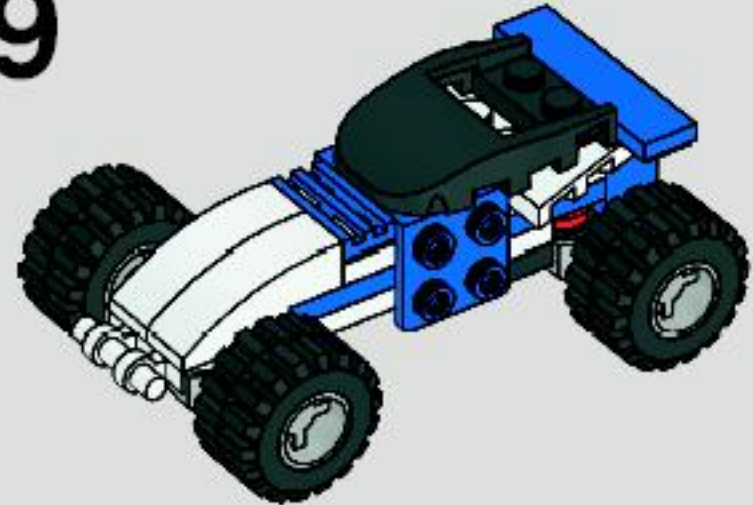
7



8



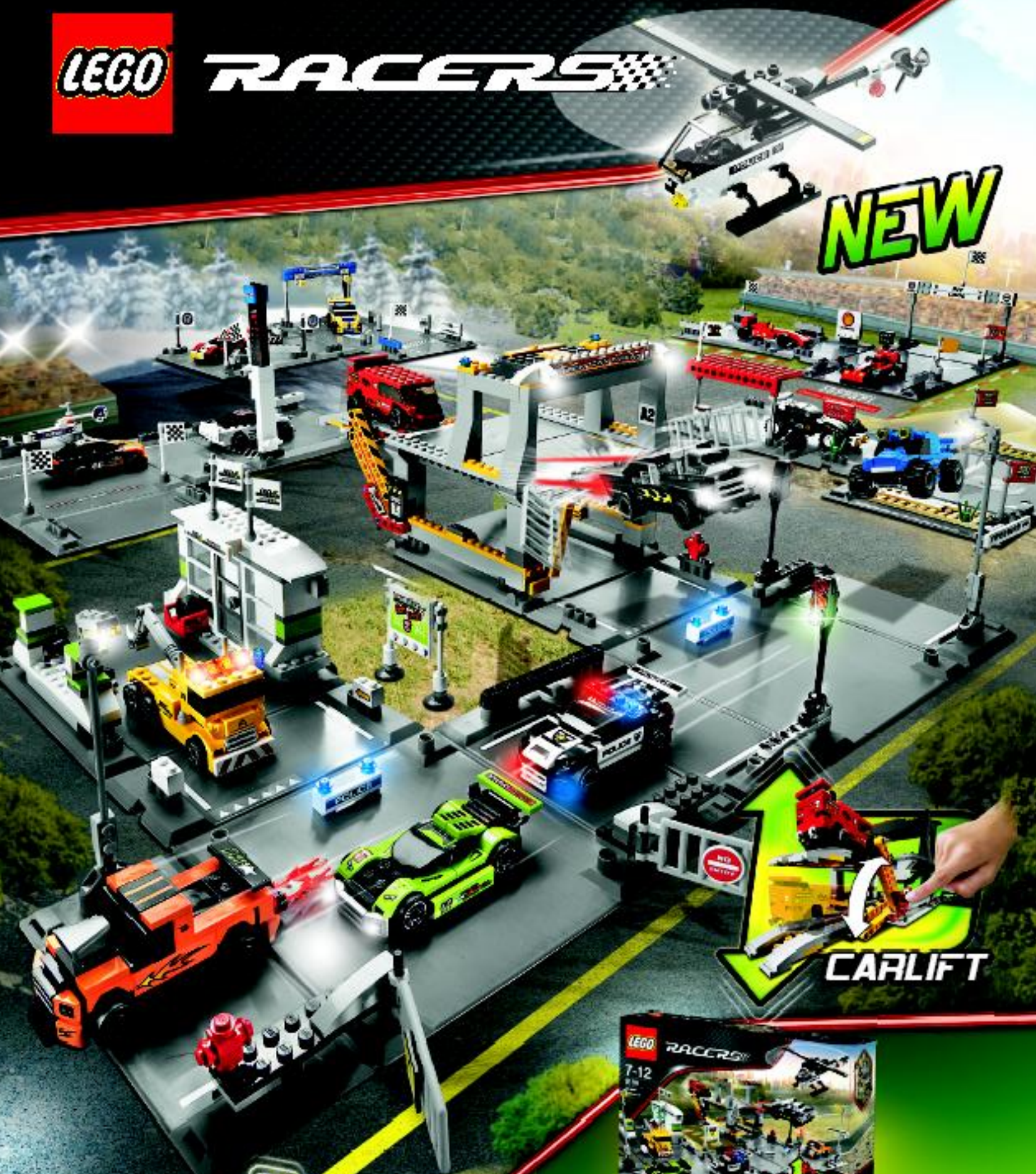
9





RACERS

NEW



CARLIFT

FOLD OUT RACE TRACK



8186



8123



8124



8125



8126

FERRARI

Official Licensed Partner

Produced under license of Ferrari SpA, Modena, Italy. TM, SM, and © 2009 LEGO. All rights reserved. LEGO and the LEGO logo are trademarks of LEGO Group.

www.lego.com/racers



www.LEGO.com

©2009 The LEGO Group. 4547588