



SPEED
CHAMPIONS

76924







LEGO® Builder



LEGO.com/sustainable-packaging

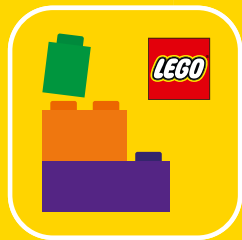


 ^{FR} **DONNEZ**
OU
RECYCLEZ

 OU  OU 

ASSOCIATION MAGASIN DÉCHÈTERIE

Adresses sur quefairedemesdechets.fr



Q LEGO® Builder

BUILDER



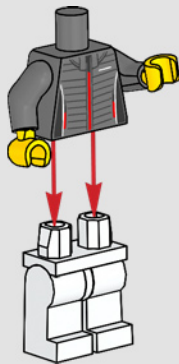
Apple and the Apple logo are trademarks of Apple Inc., registered in the U.S. and other countries and regions. App Store is a service mark of Apple Inc. Google Play and the Google Play logo are trademarks of Google LLC. Tencent and the Tencent logo are trademarks of Tencent Inc.

Q [LEGO.com/devicecheck](https://lego.com/devicecheck)

EN Ask parents' permission before going online | **DE** Eltern um Erlaubnis bitten, bevor du online gehst | **FR** Demande l'autorisation d'un parent avant d'aller en ligne | **IT** Chiedi il permesso ai tuoi genitori prima di andare online | **ES** Pídeles permiso a tus papás antes de conectarte a Internet | **PT** Pede autorização aos pais antes de acederes online | **ZH** 上网前应先征得父母的同意 | **PL** Poproś rodziców o zgodę, zanim wejdiesz do Internetu | **CS** Než půjdeš na internet, požádej rodiče o svolení | **SK** Skôr než pôjdeš na internet, vypýtaj si povolenie od rodičov | **HU** Kérj szülői engedélyt, mielőtt online csatlakoznál! | **RO** Cere permisiunea părinților înainte de a te conecta online | **BG** Поискайте разрешение от родител, преди да влезете онлайн | **LV** Pirms došanās tiešsaistē palūdz atļauju vecākiem | **ET** Enne Interneti kasutamist küsi vanematelt luba | **LT** Prieš prisijungdami prie interneto, atsiklauskite tėvų



1

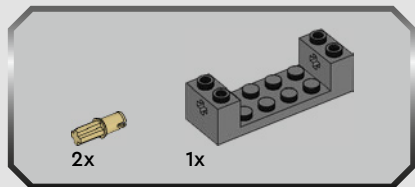


2

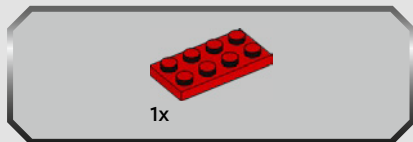
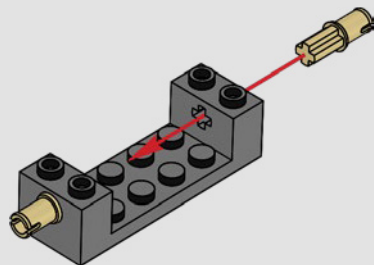


3

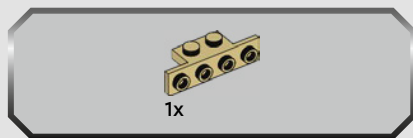
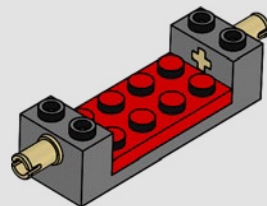




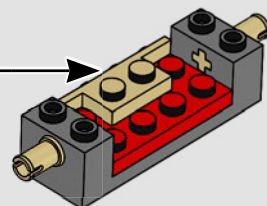
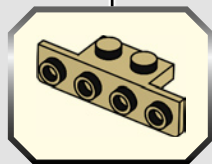
1

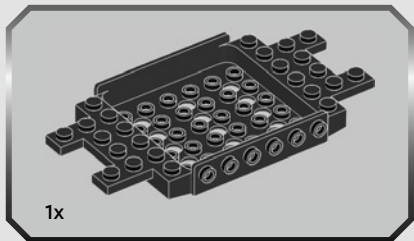


2

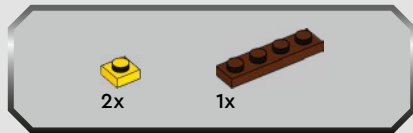
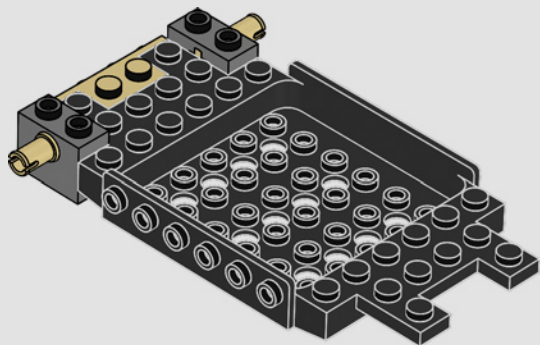


3

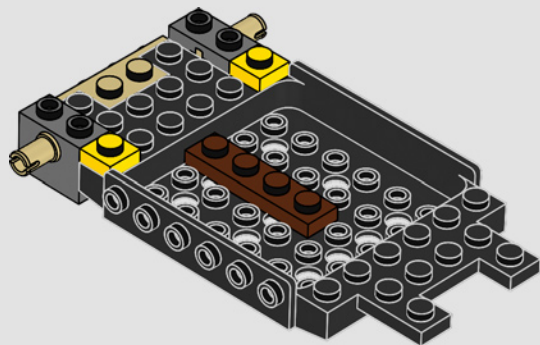




4

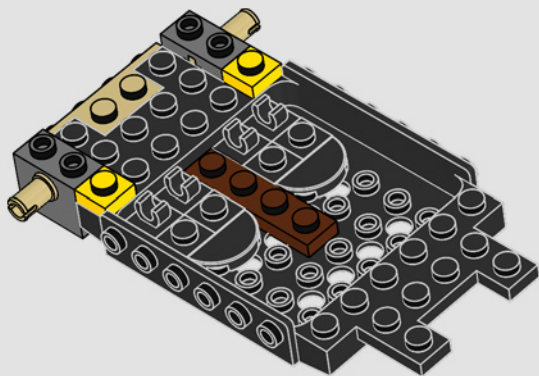


5

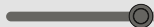
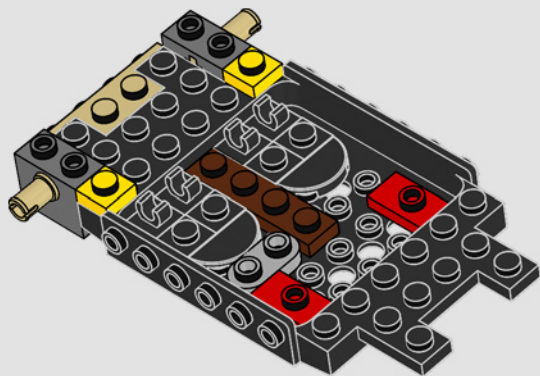


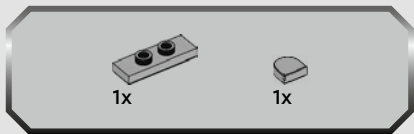


6

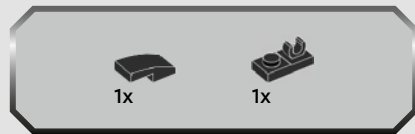
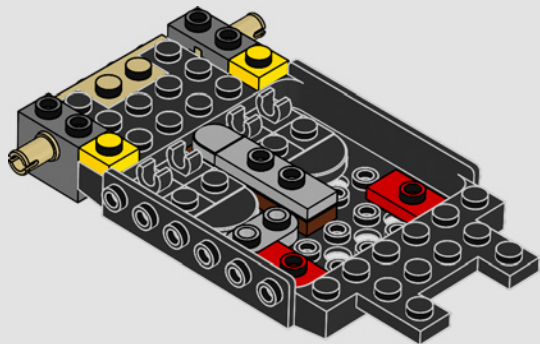


7

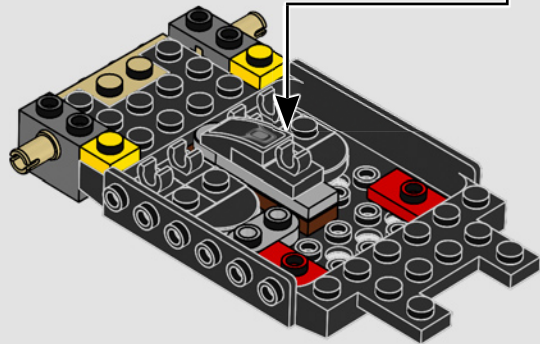
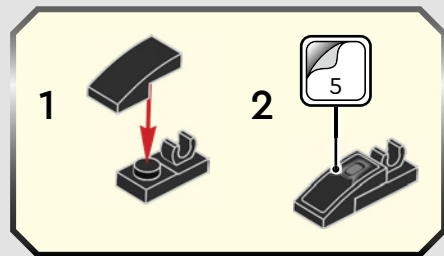




8



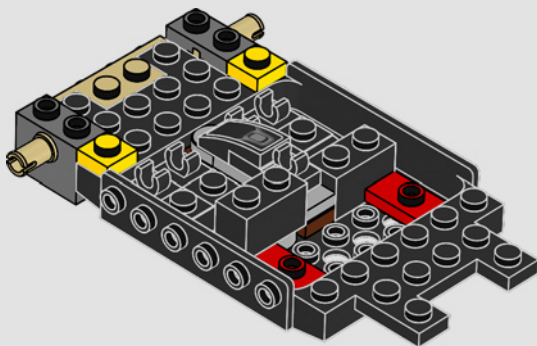
9

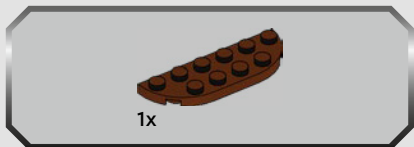




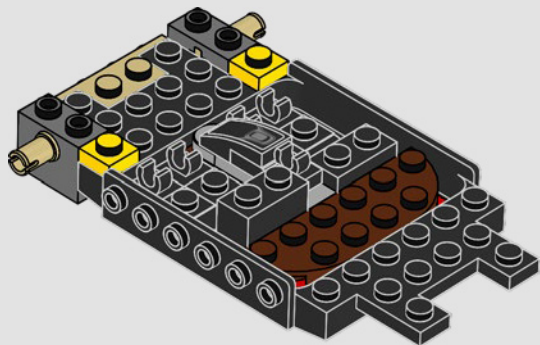
2x

10

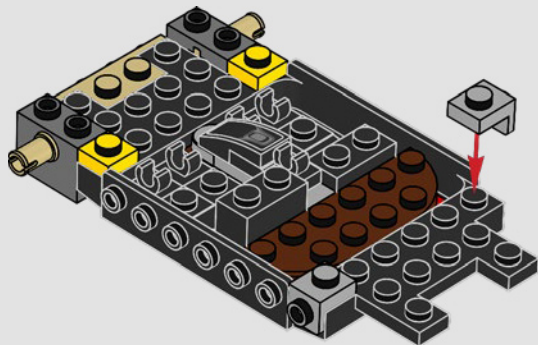


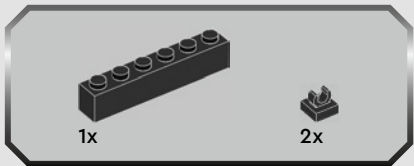


11

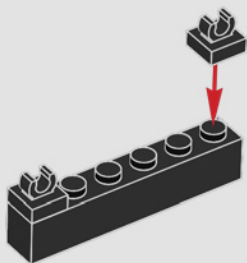


12

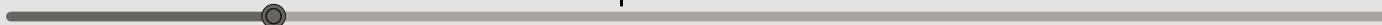
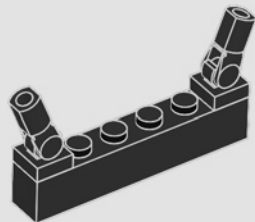




13



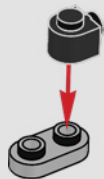
14





15

1



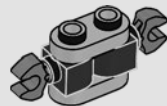
2



3



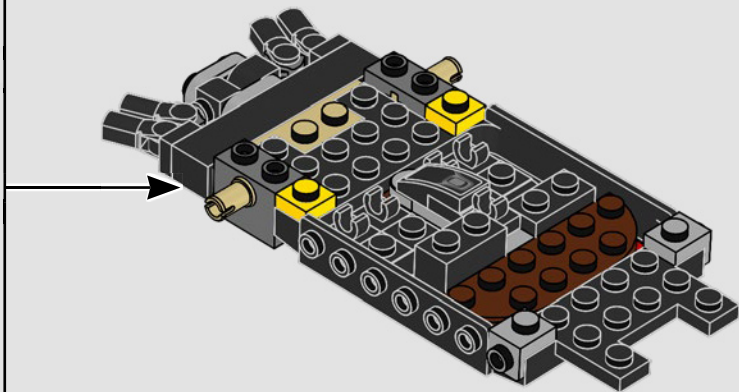
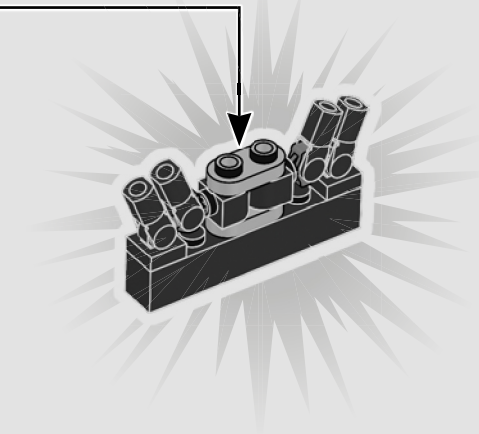
4

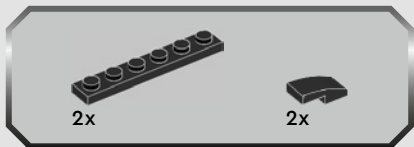


5

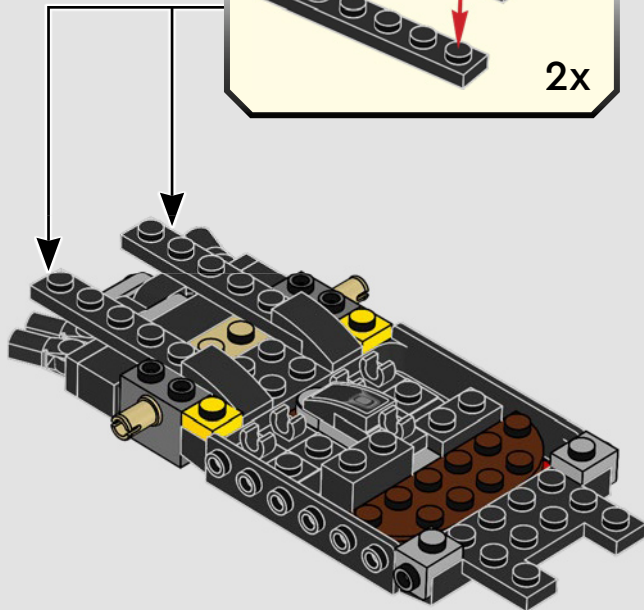
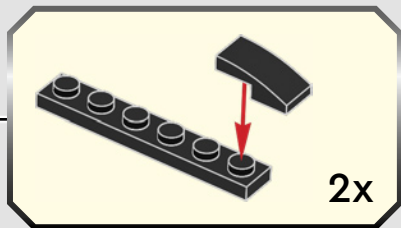


16



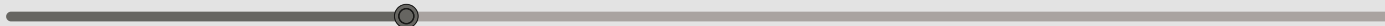
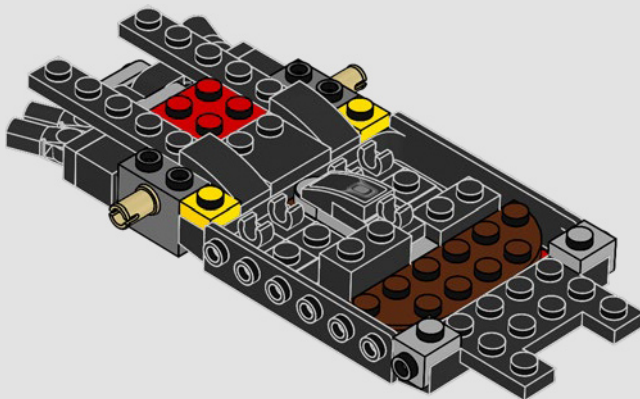


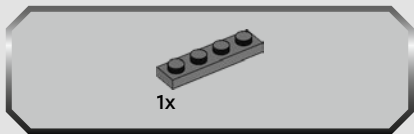
17



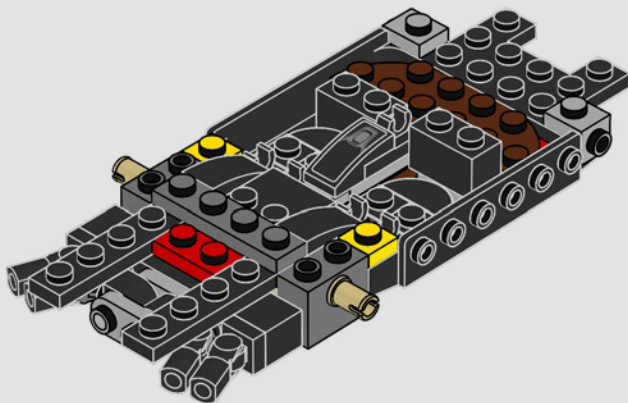


18



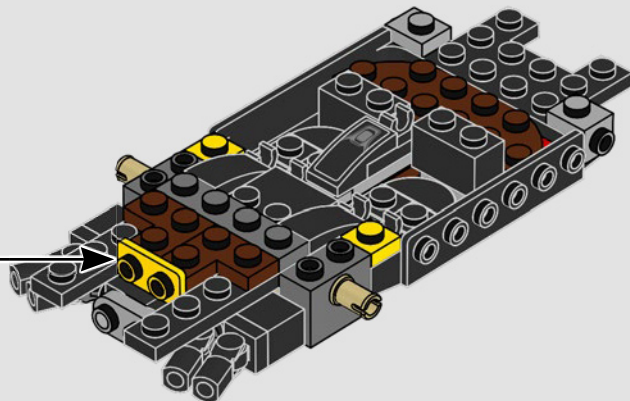
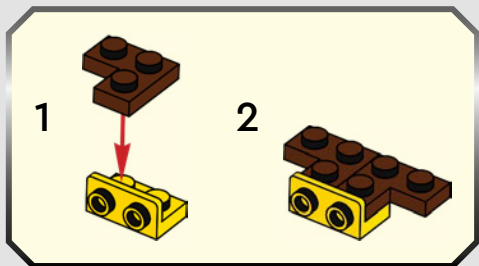


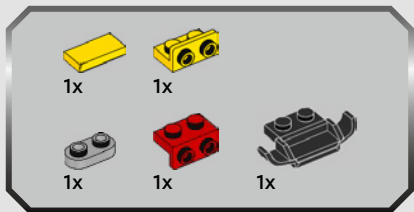
19





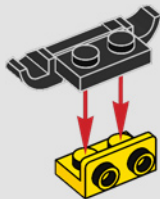
20





21

1



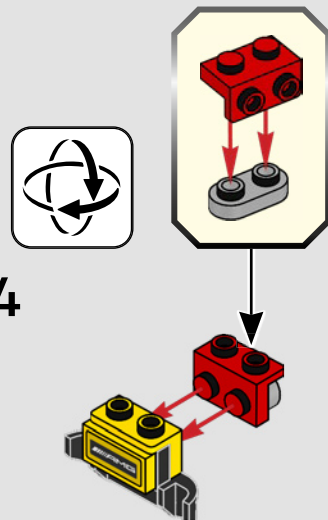
2

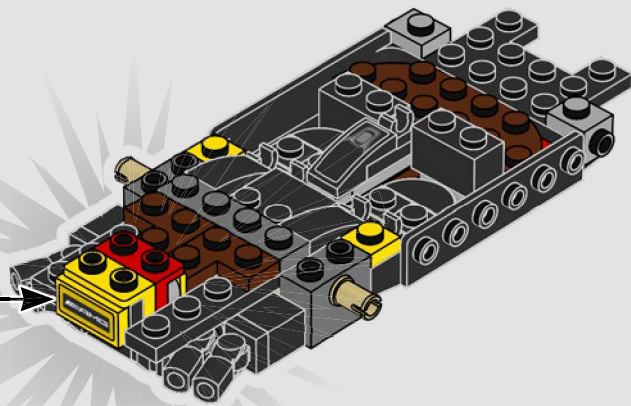


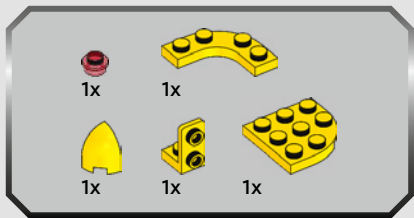
3



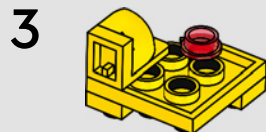
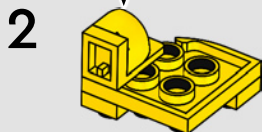
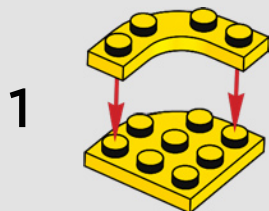
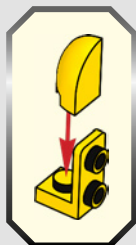
4

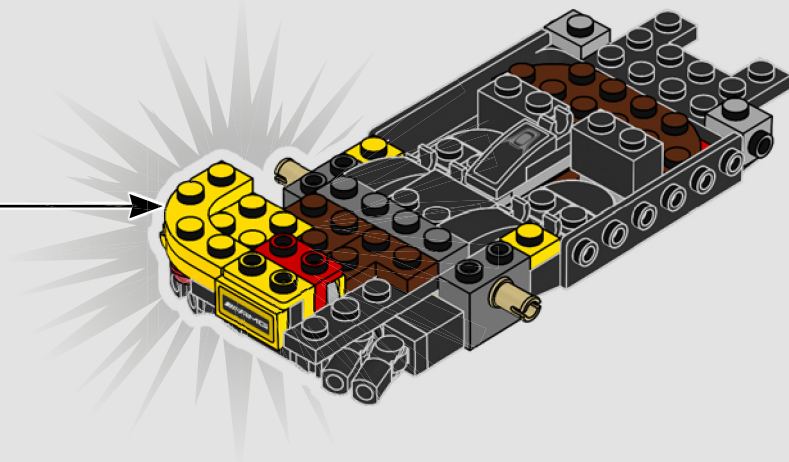


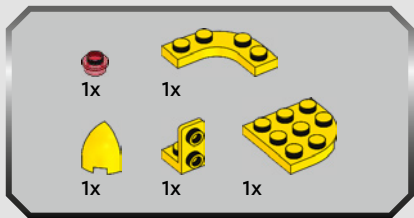




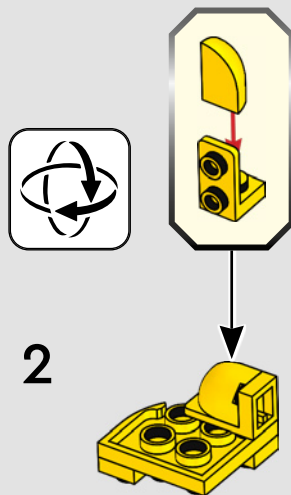
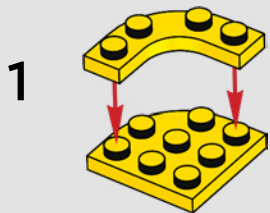
22

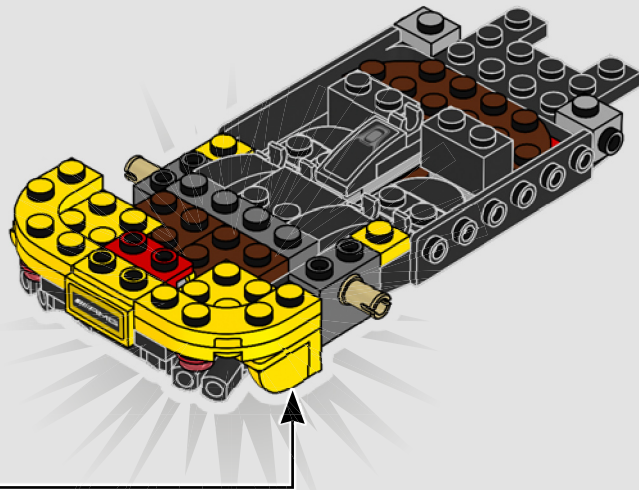






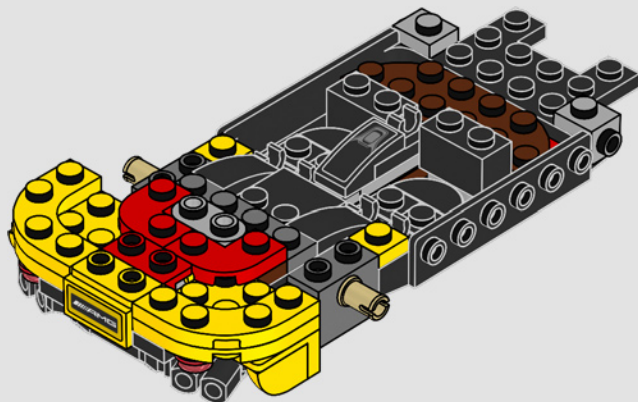
23



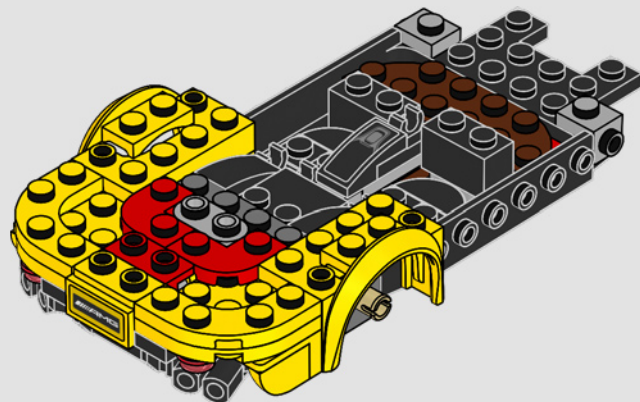


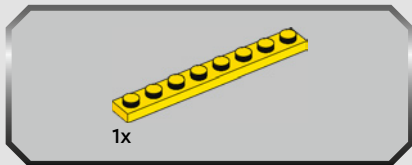


24

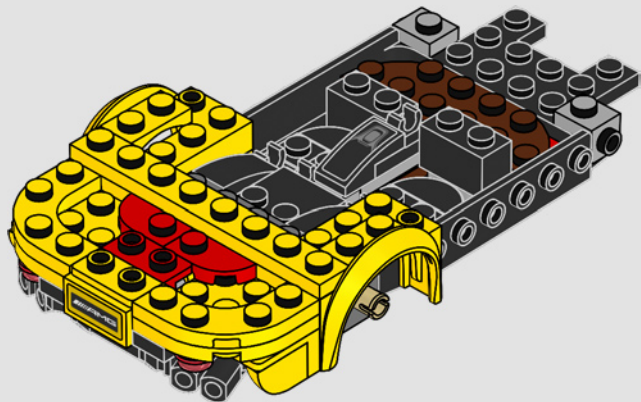


25



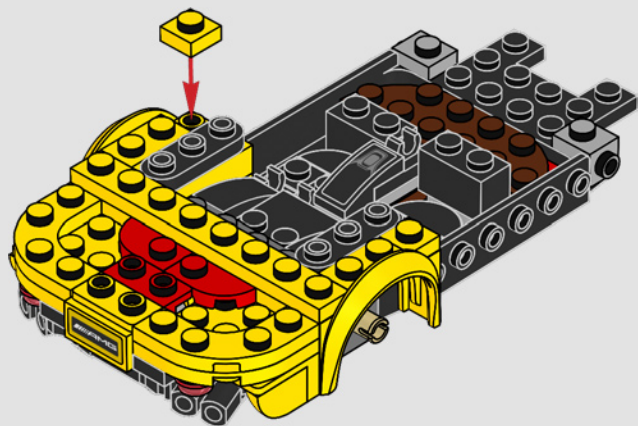


26

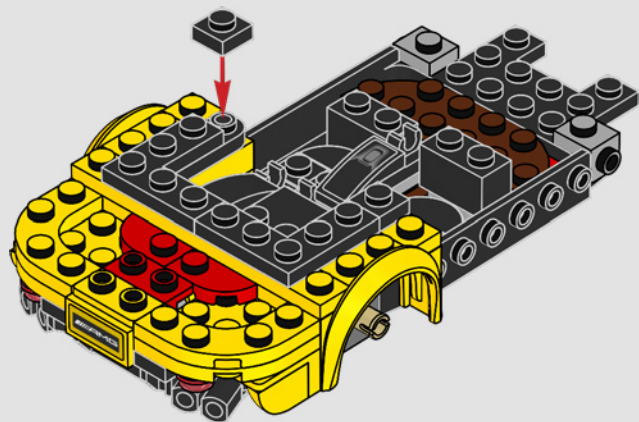




27

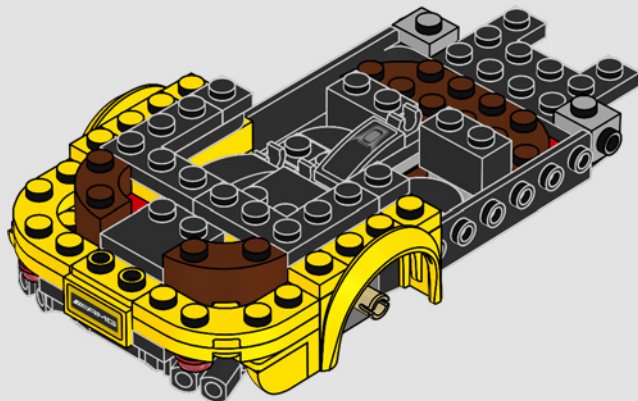


28



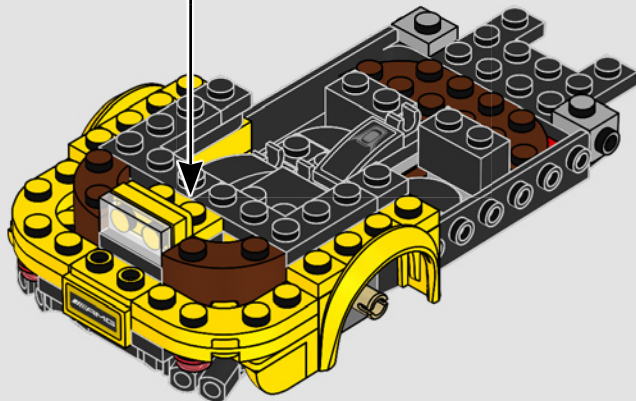
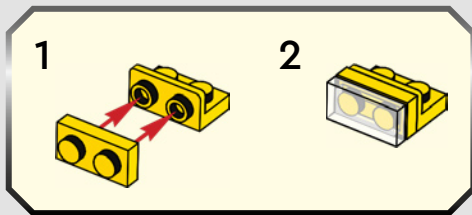


29





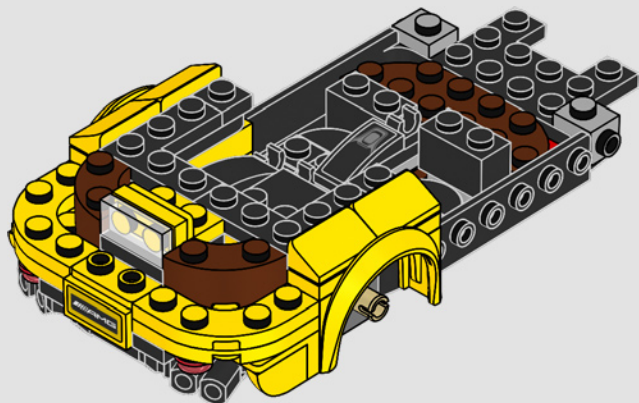
30





4x

31

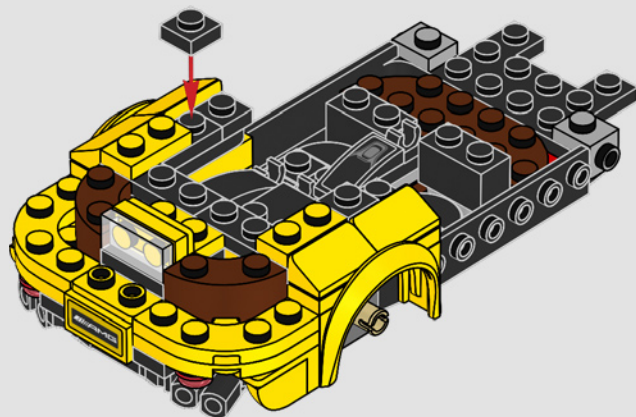


2x



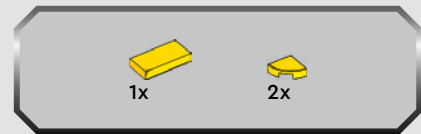
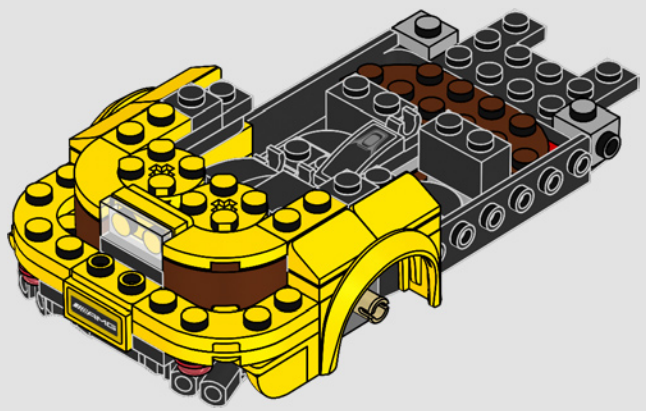
2x

32

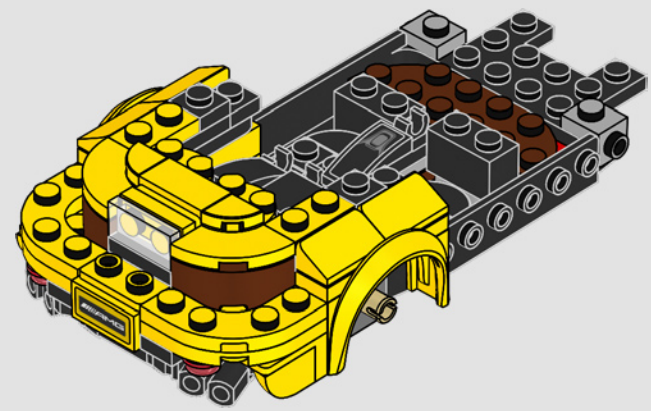




33

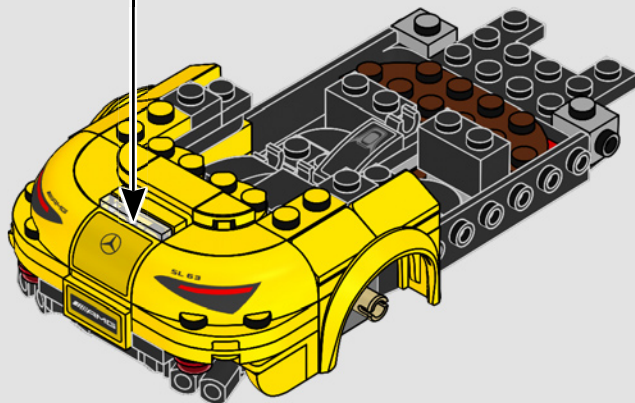
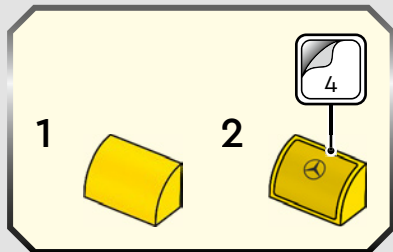


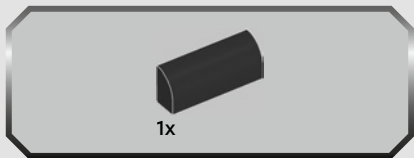
34



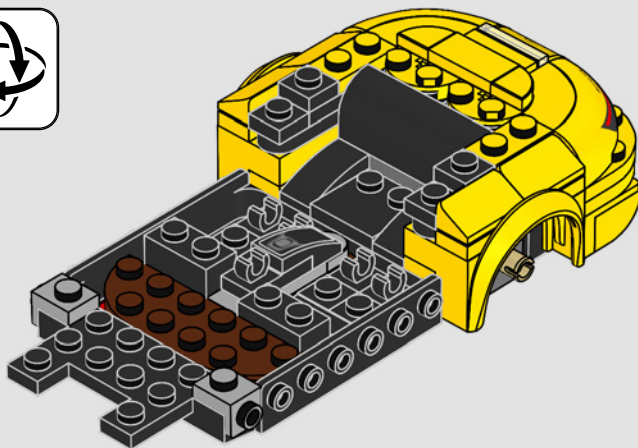


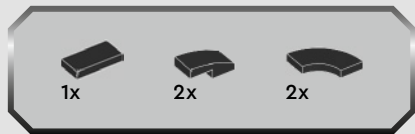
35



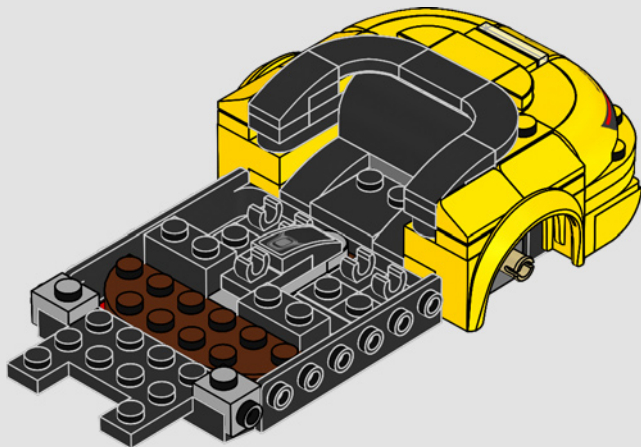


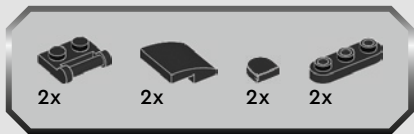
36



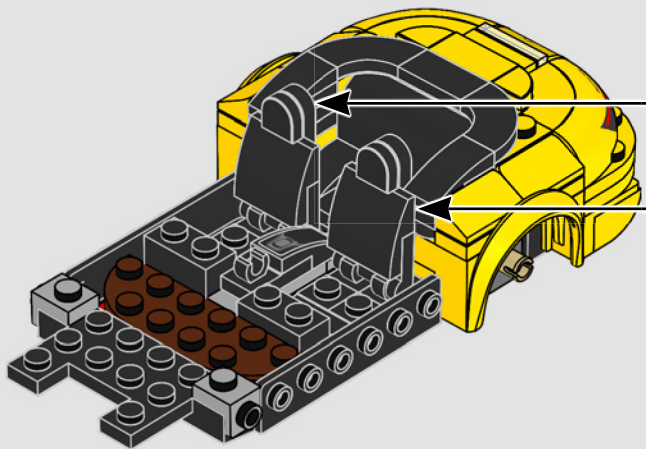
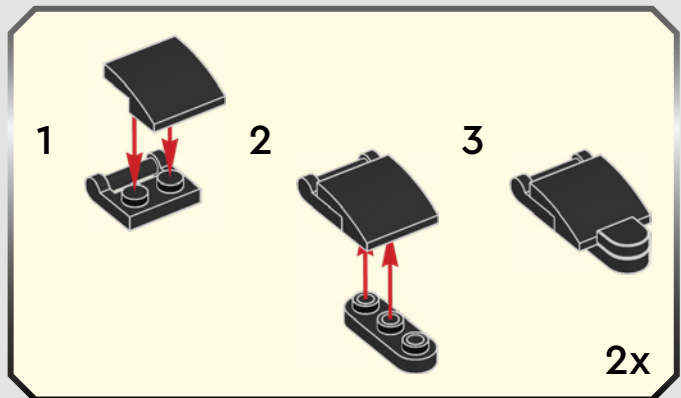


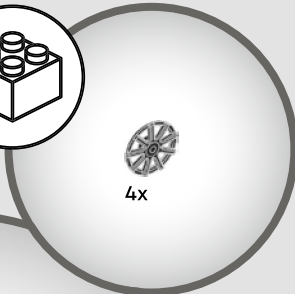
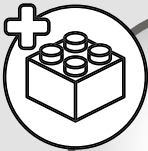
37



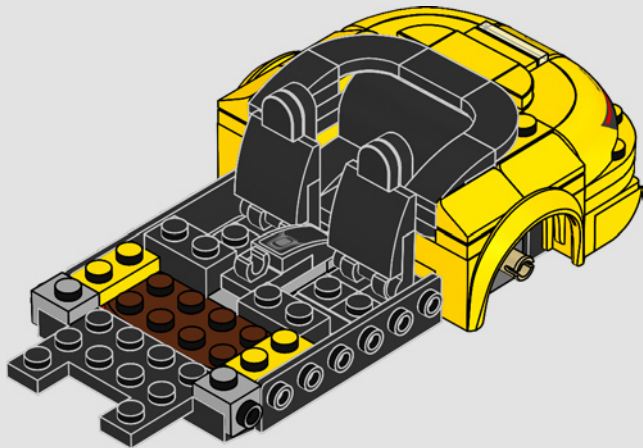
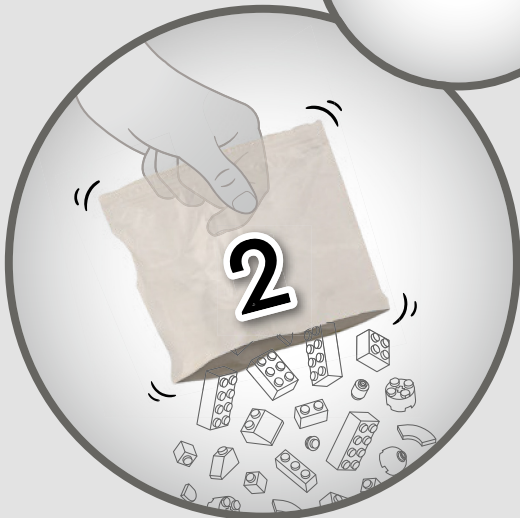


38



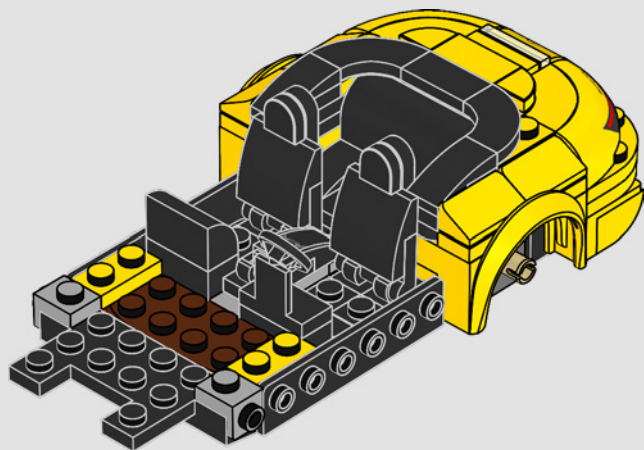


39

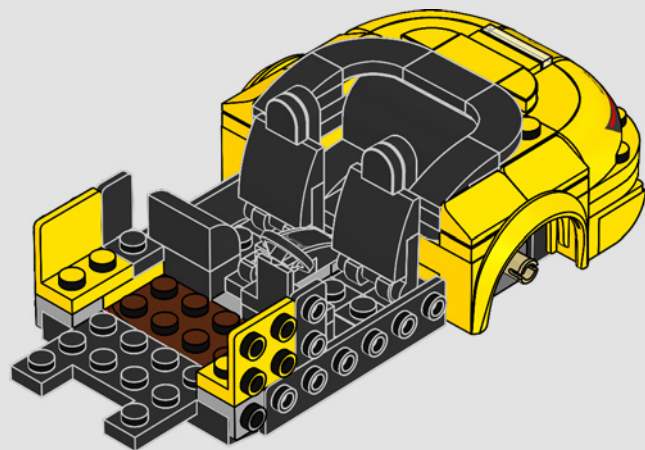


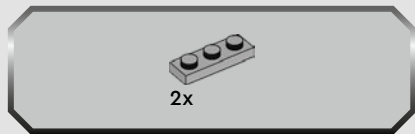


40

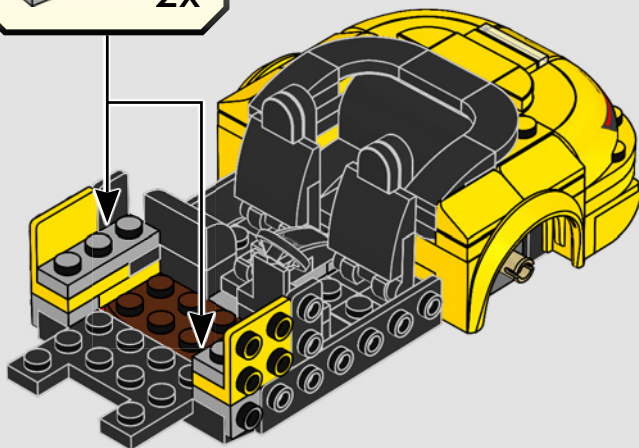
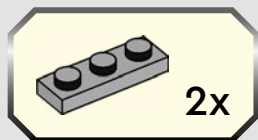


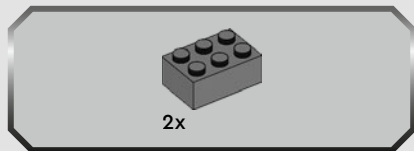
41



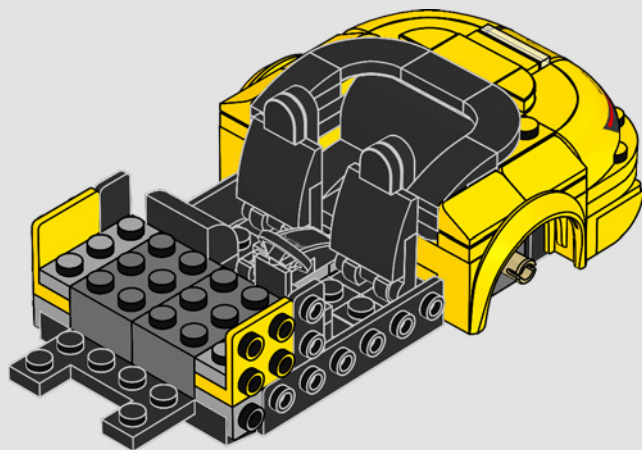


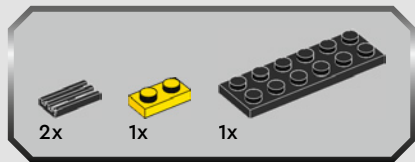
42



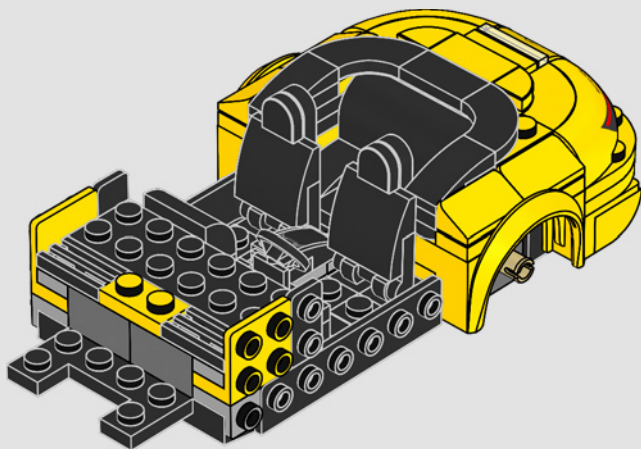


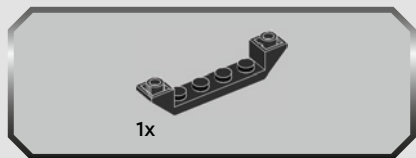
43



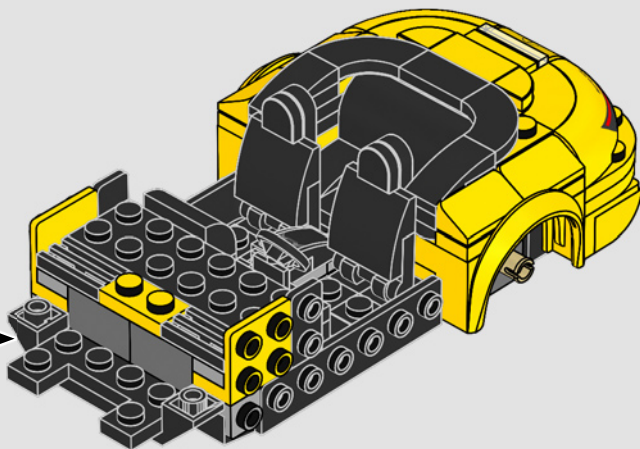
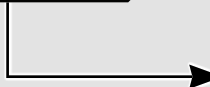
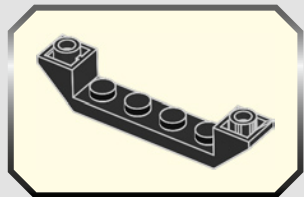


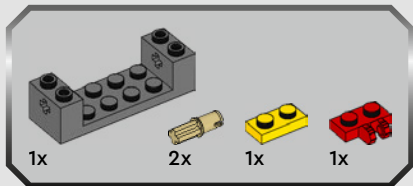
44



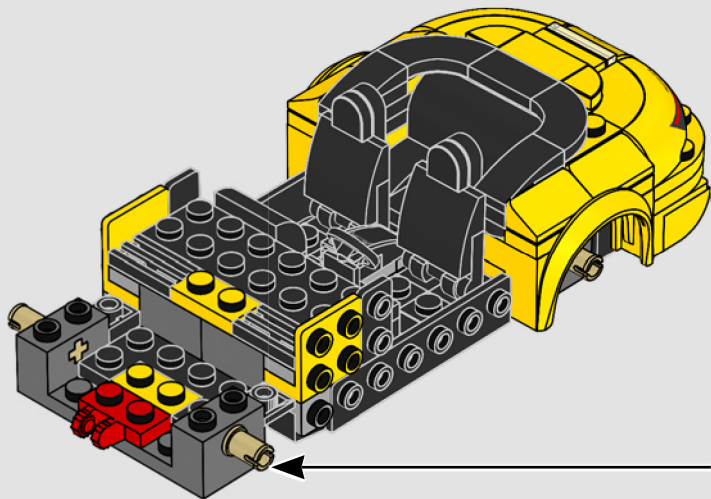
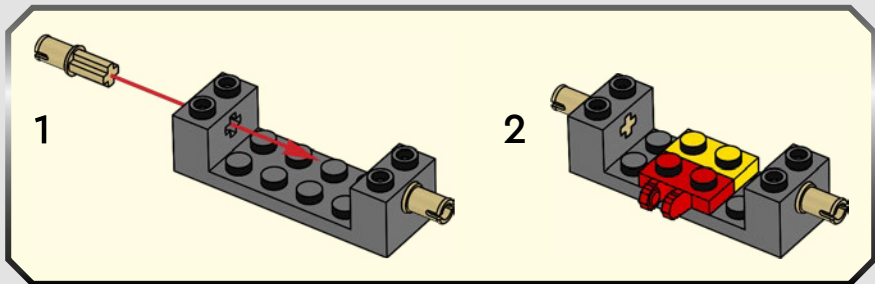


45





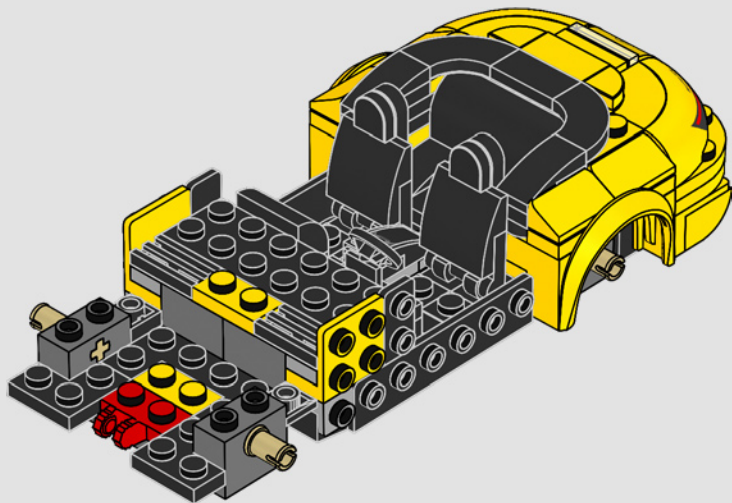
46





2x

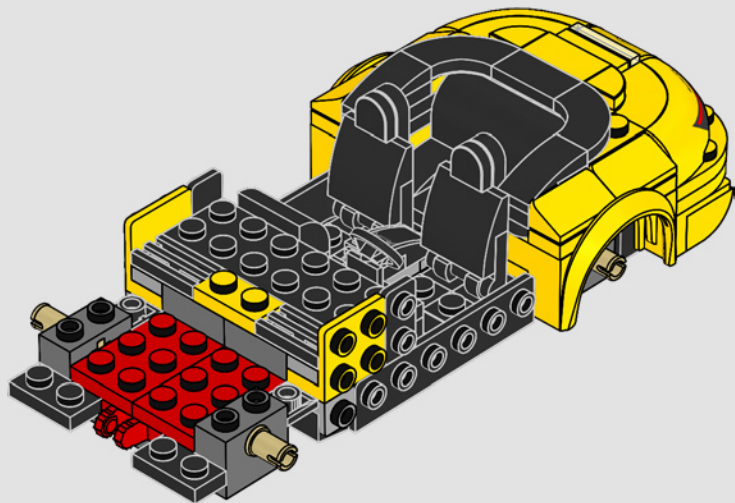
47

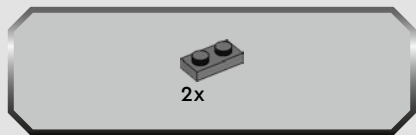




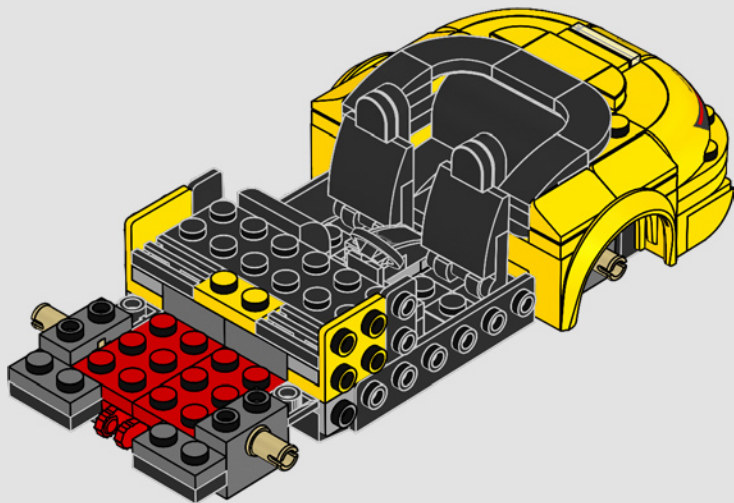
2x

48





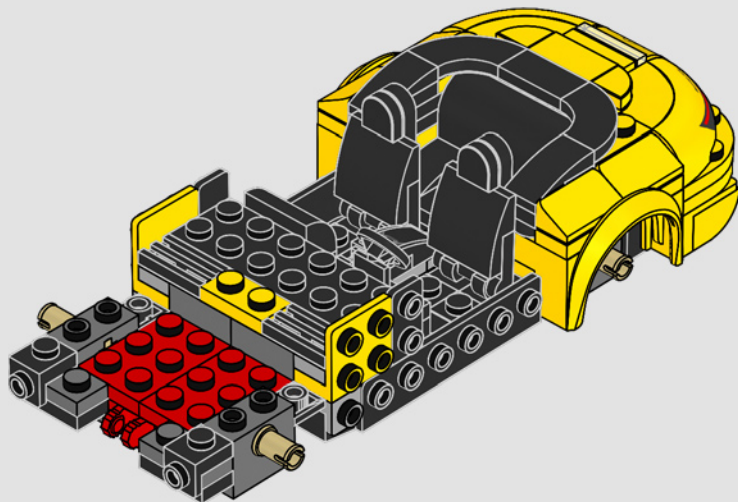
49





2x

50



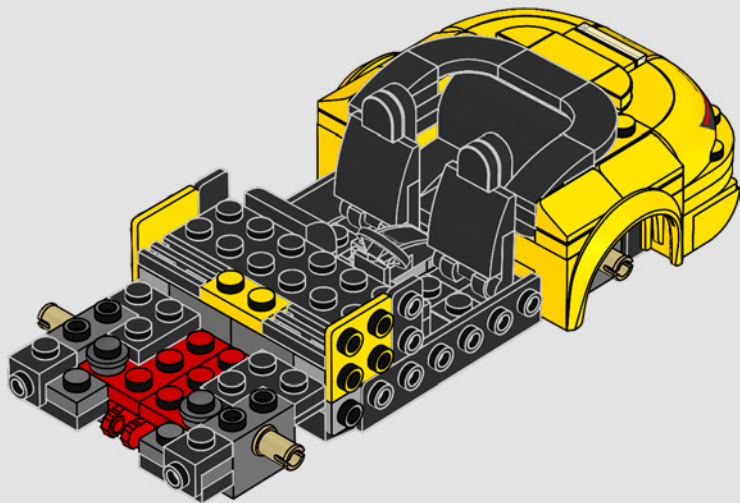


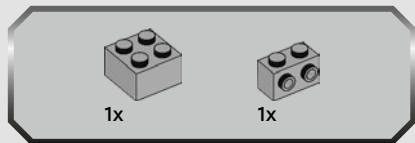
2x



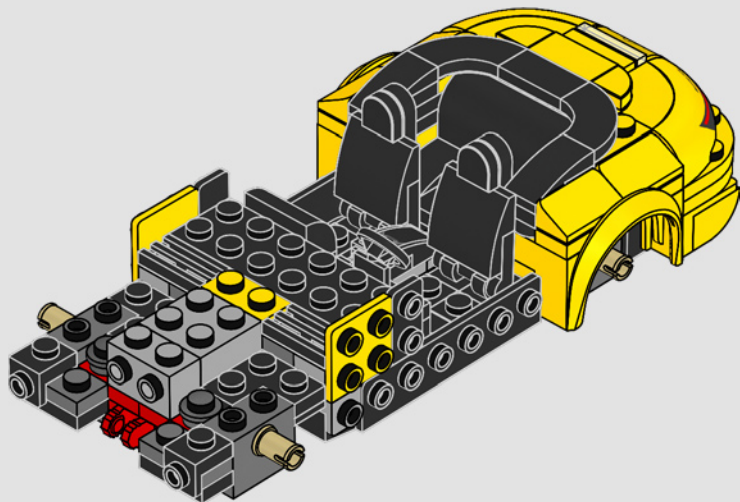
2x

51



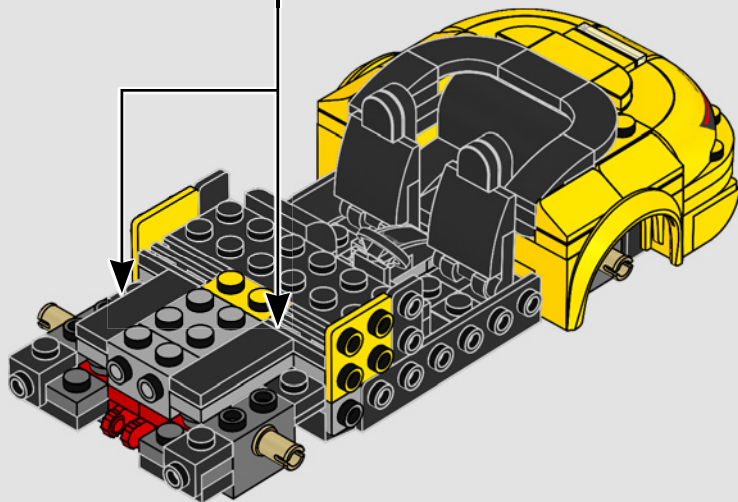
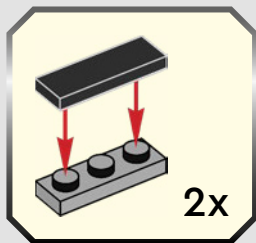


52



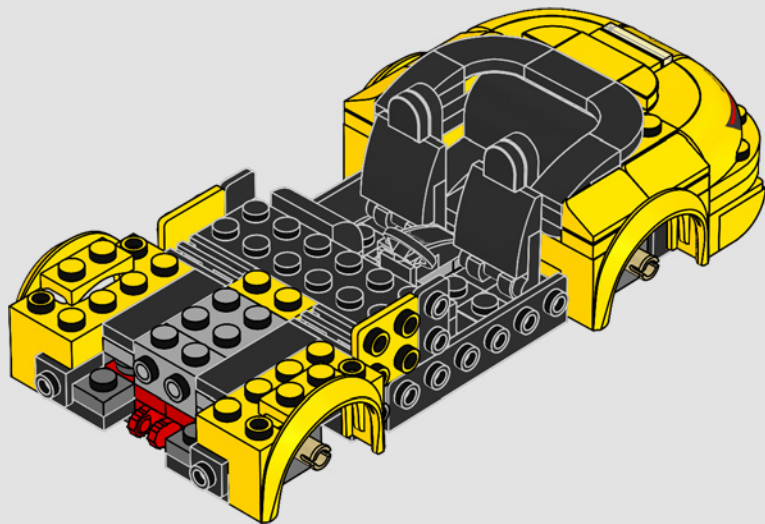


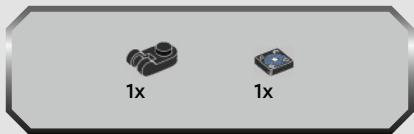
53



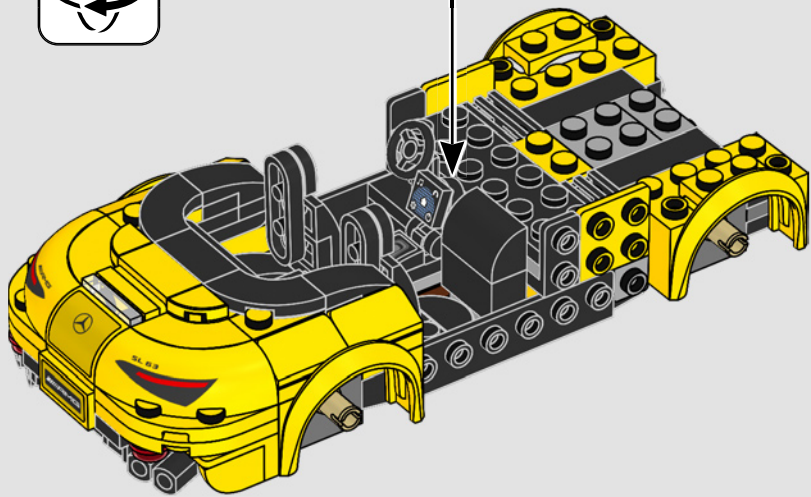
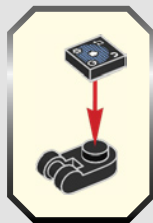


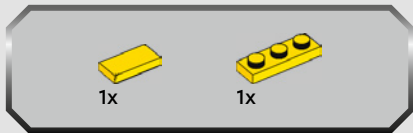
54



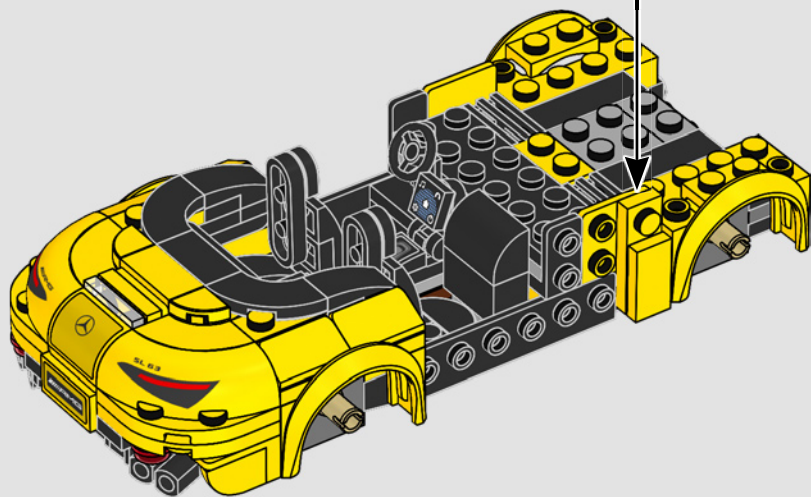
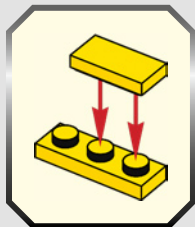


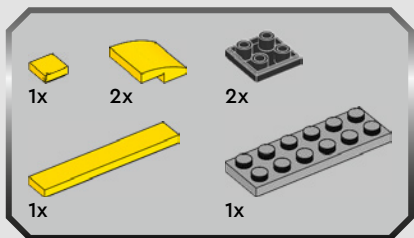
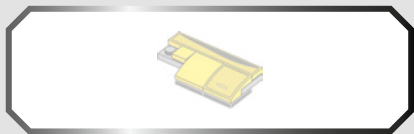
55





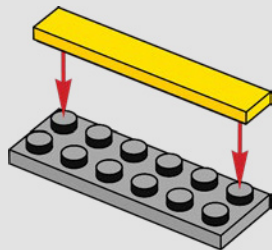
56



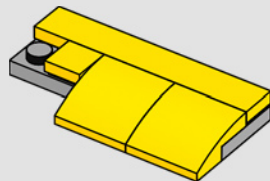


57

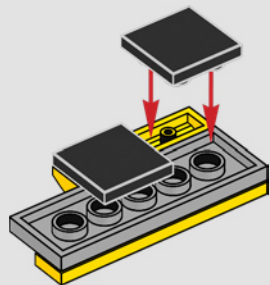
1



2

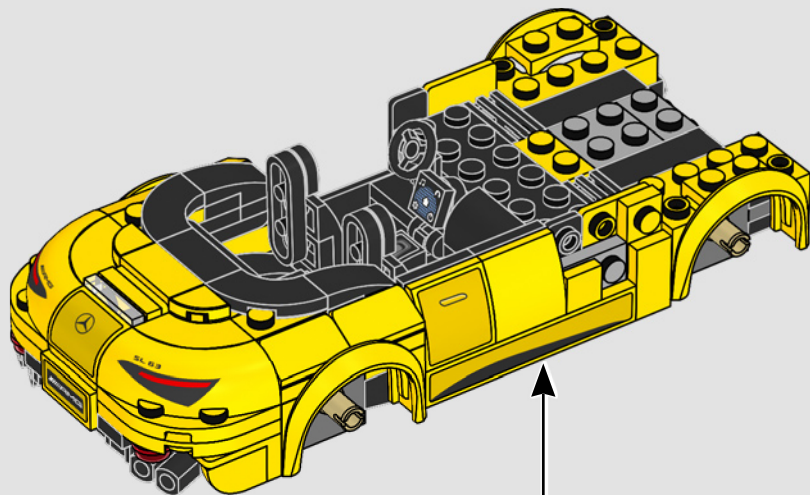
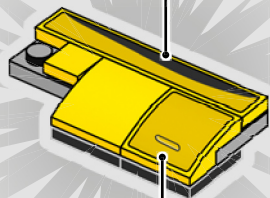


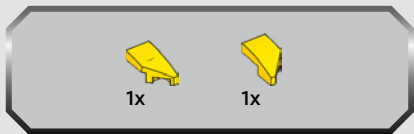
3



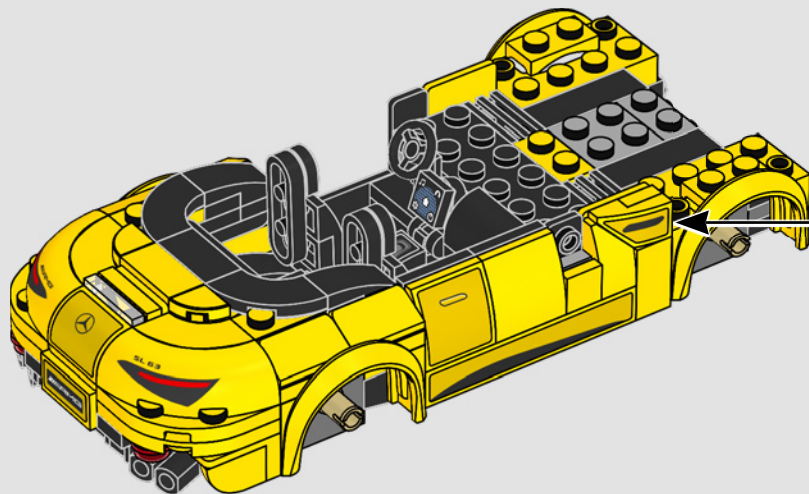
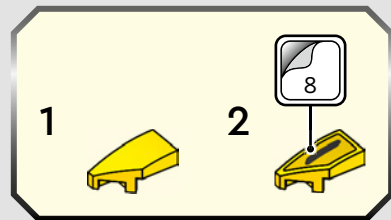


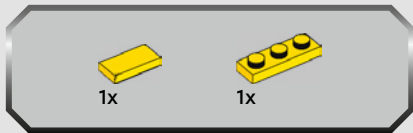
4



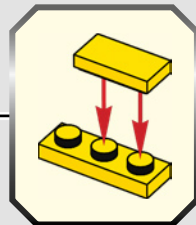
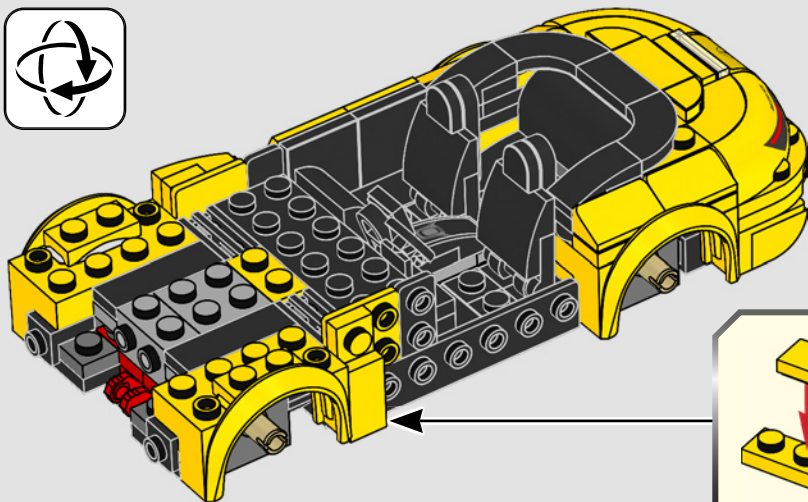


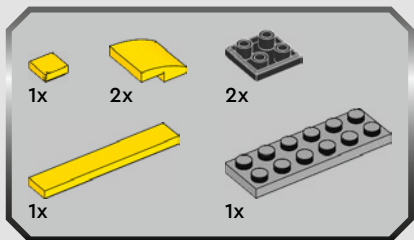
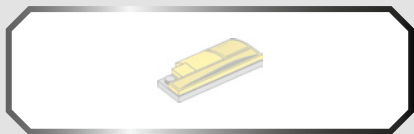
58





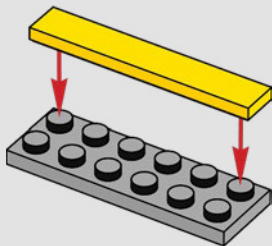
59



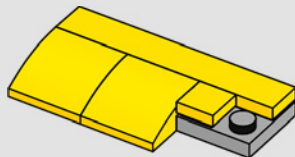


60

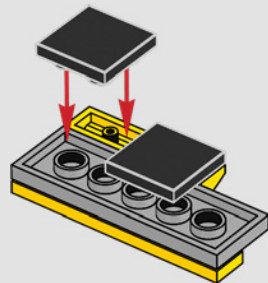
1



2

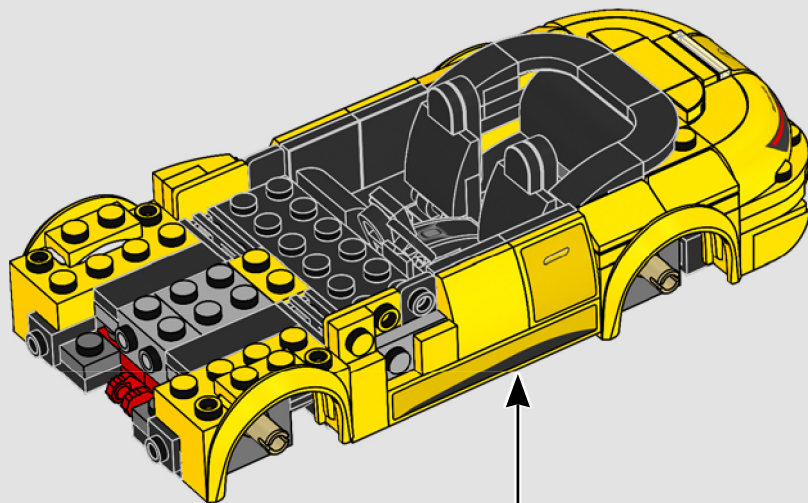
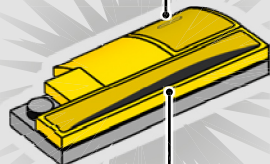


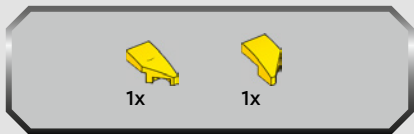
3



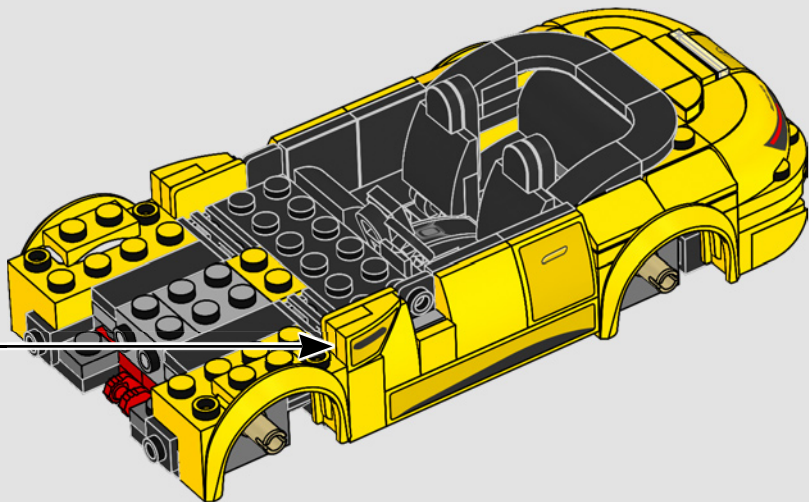
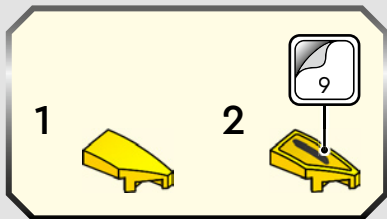


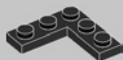
4





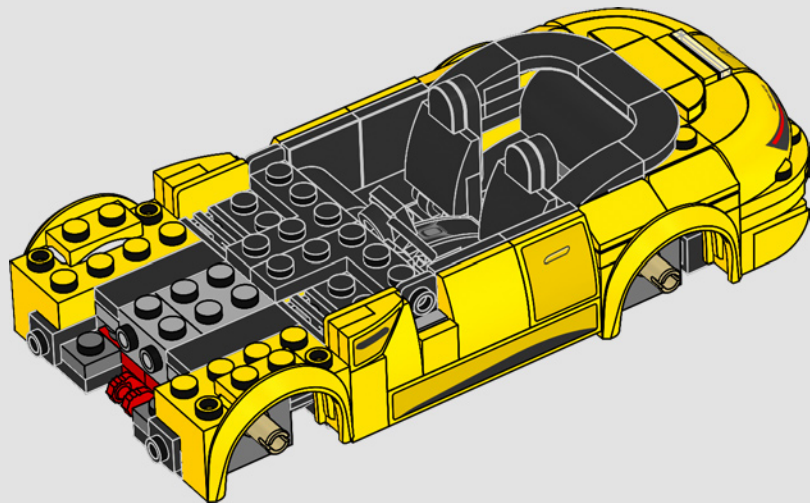
61

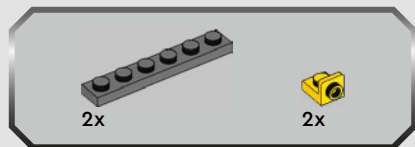




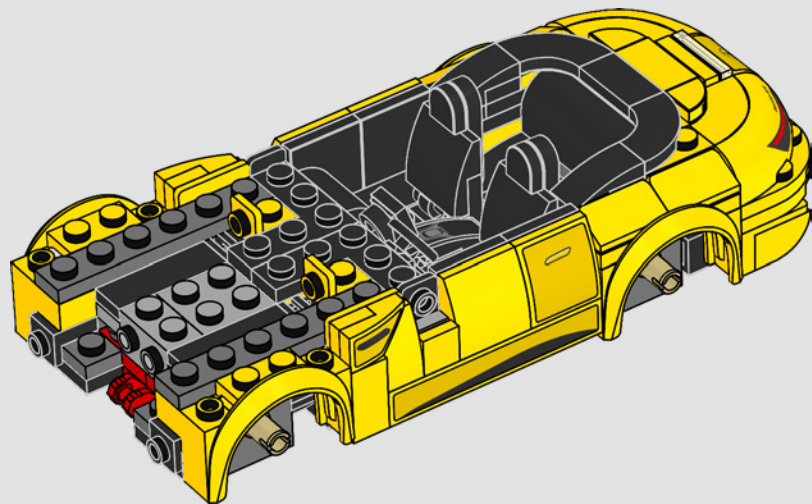
2x

62





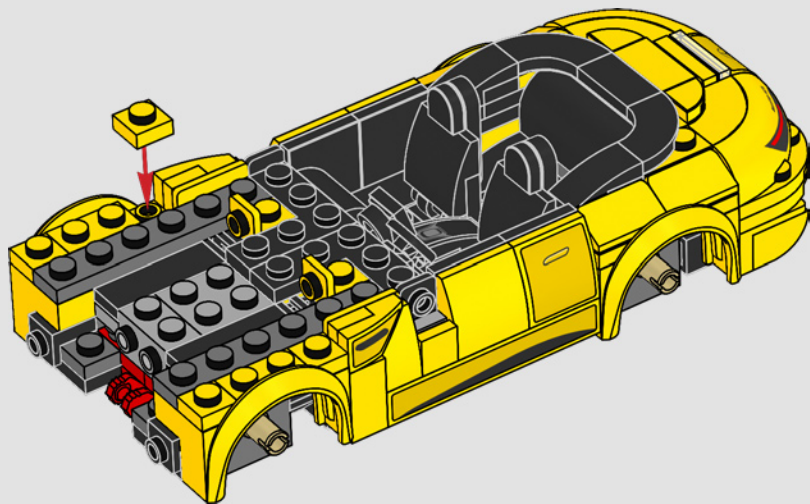
63

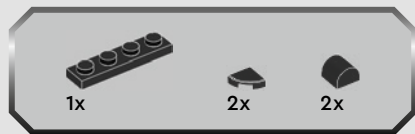




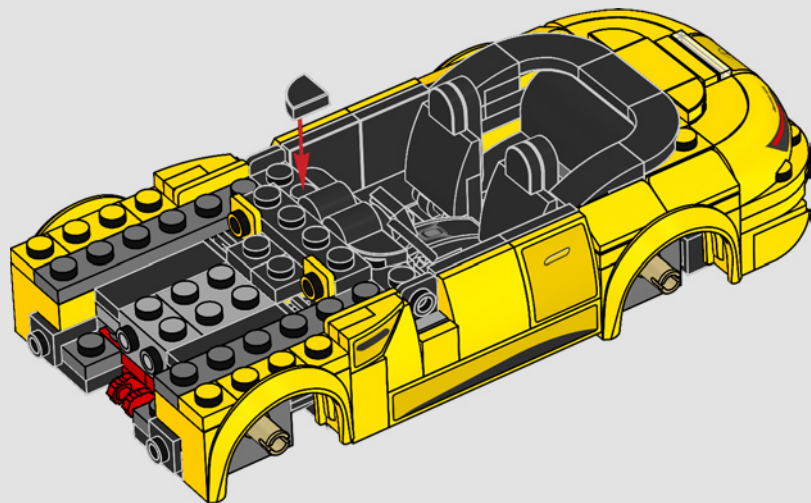
4x

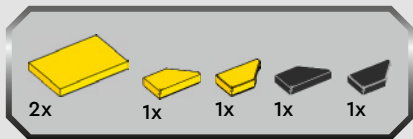
64



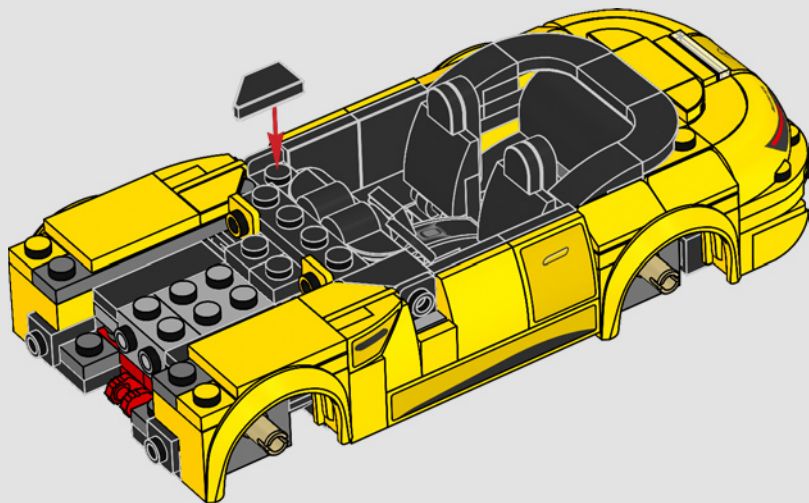


65



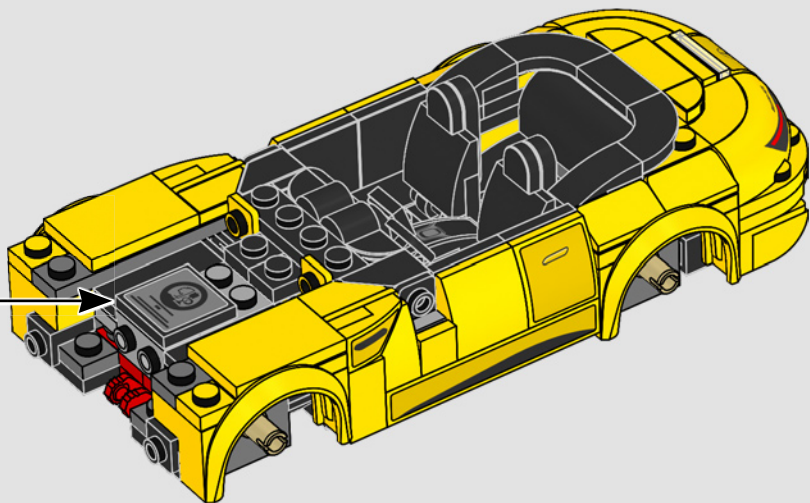
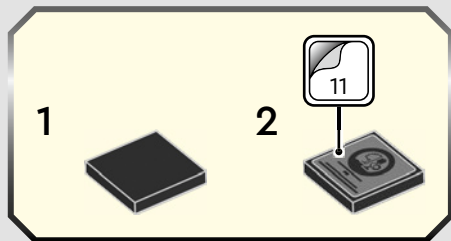


66



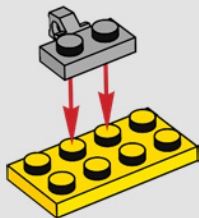


67

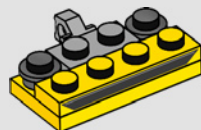




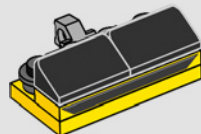
68

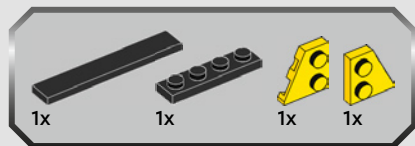


69

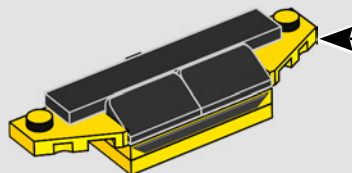
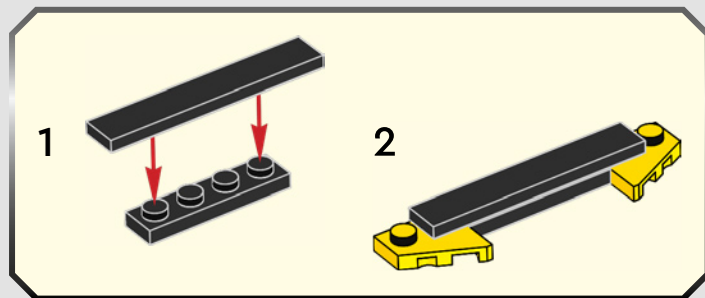


70

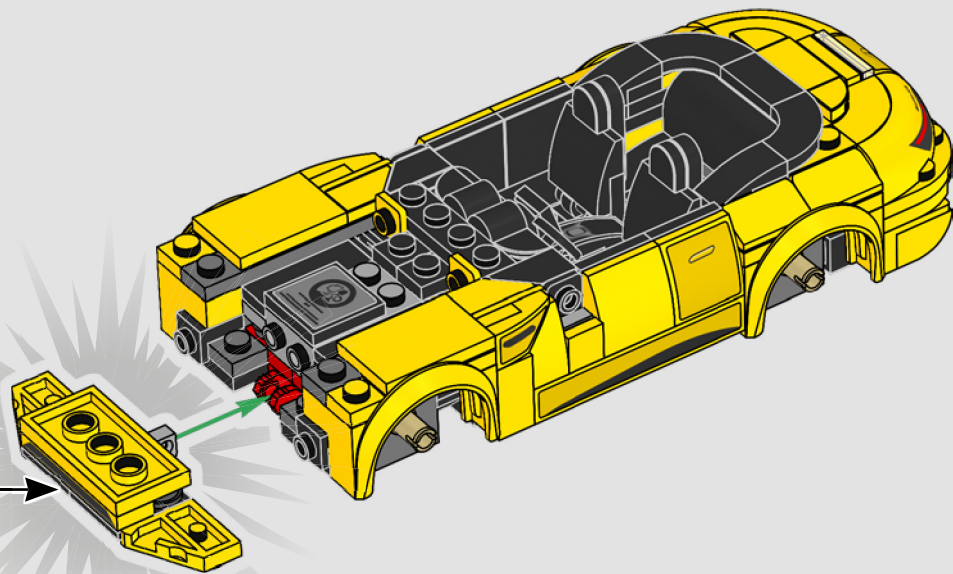




71

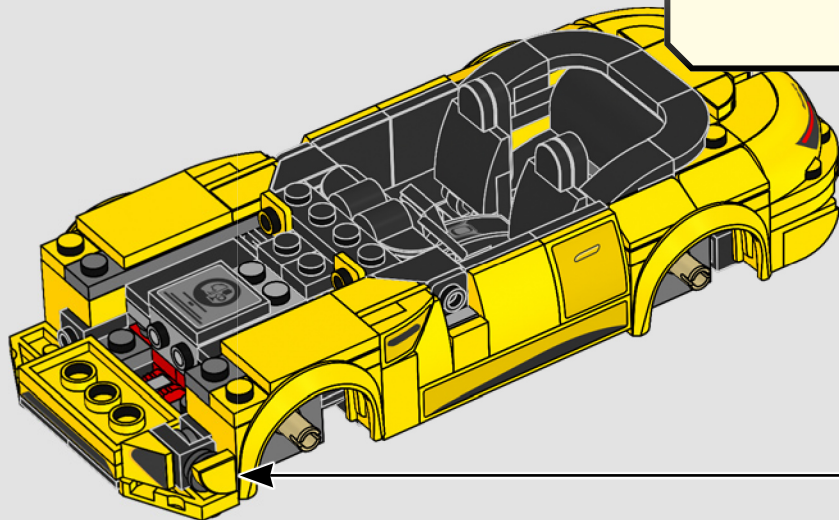
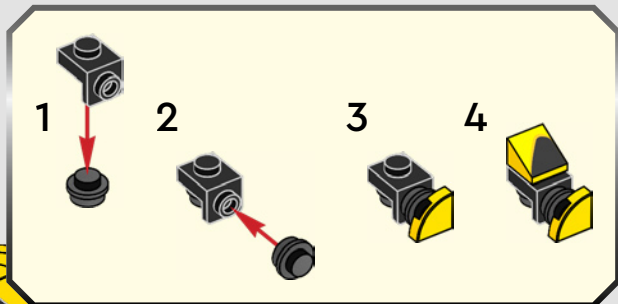


72



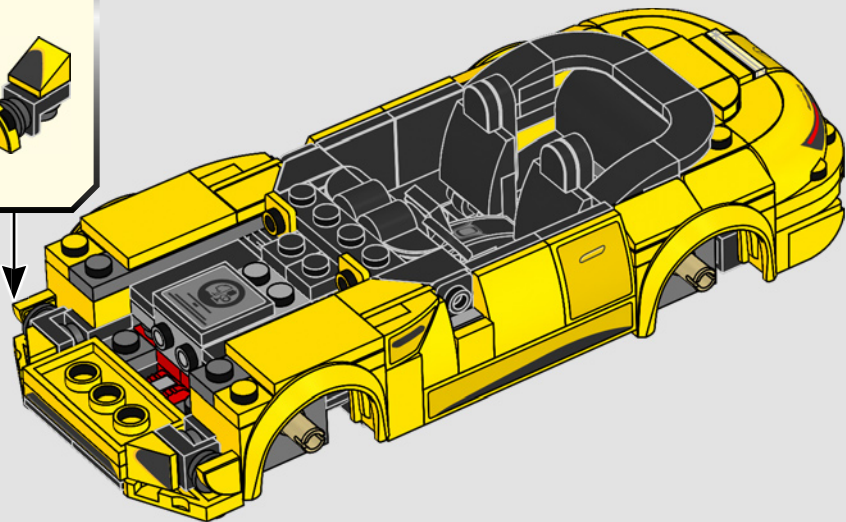
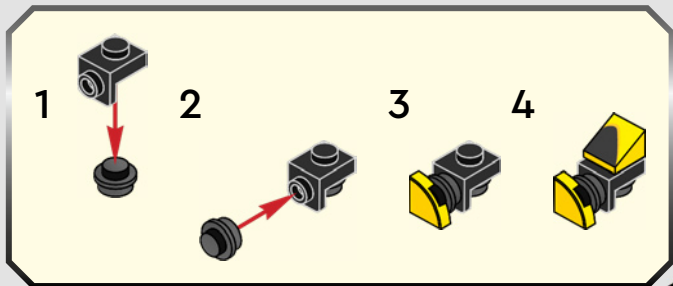


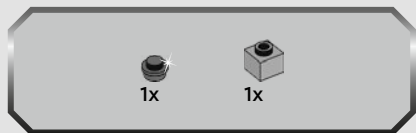
73



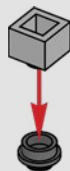


74

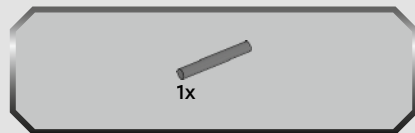




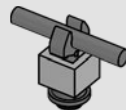
75

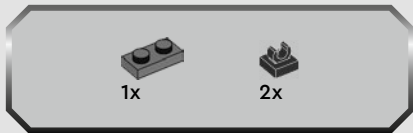


76

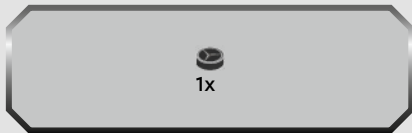
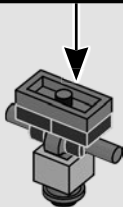
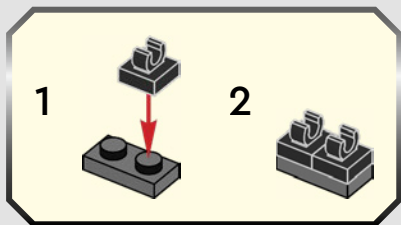


77





78

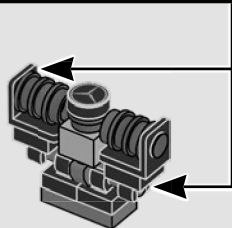
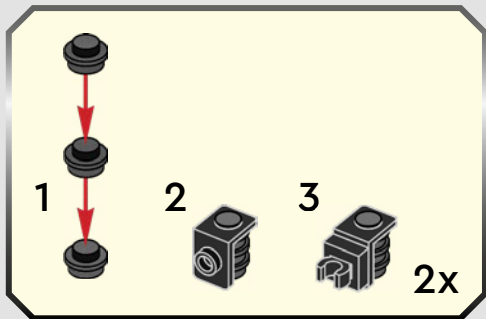


79

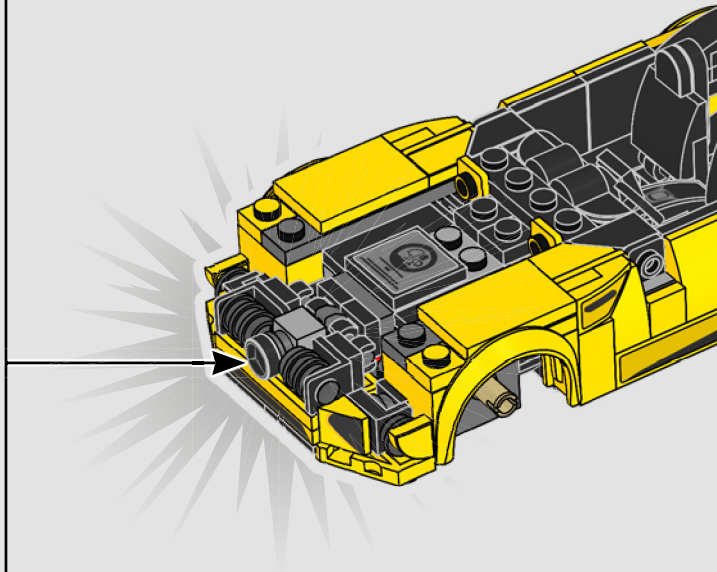


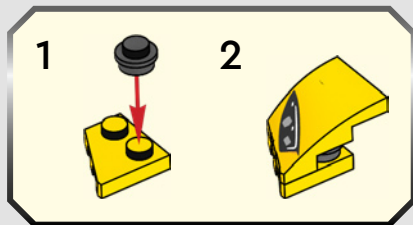


80

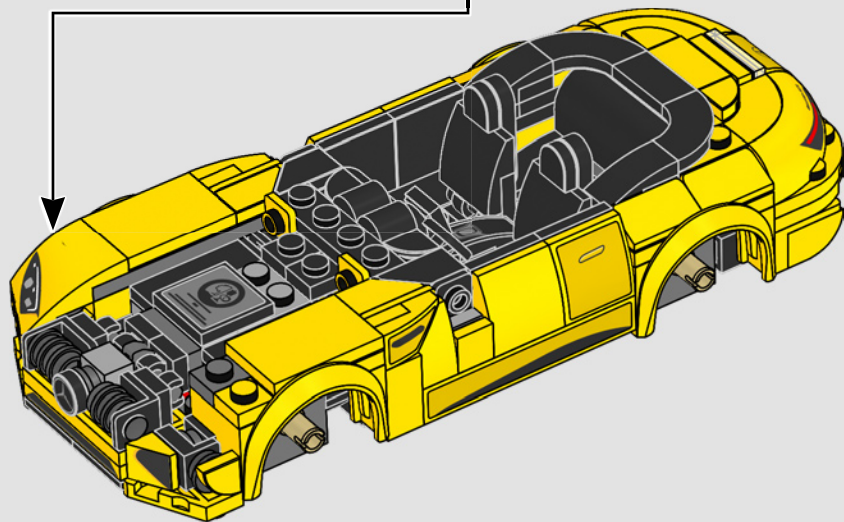


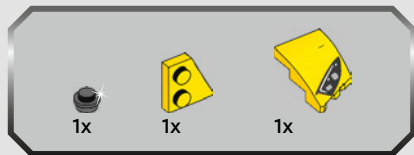
81



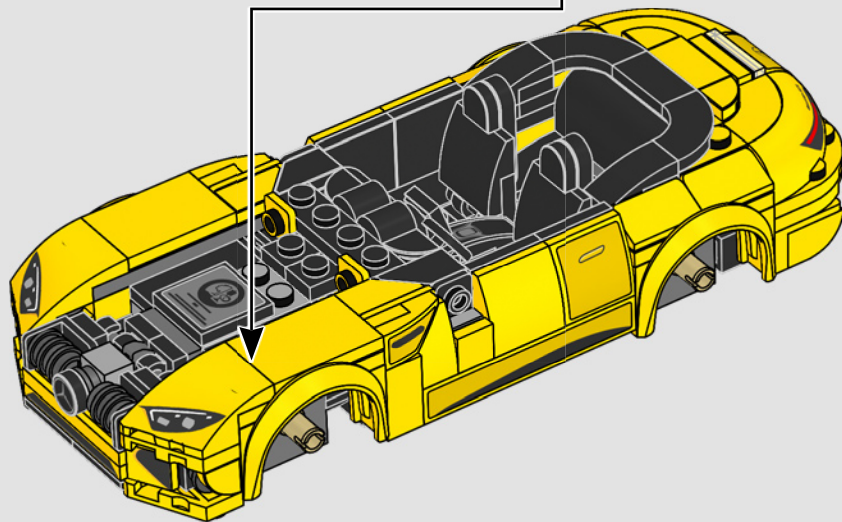
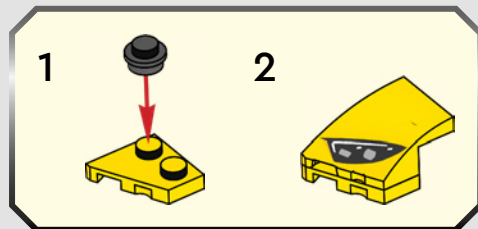


82



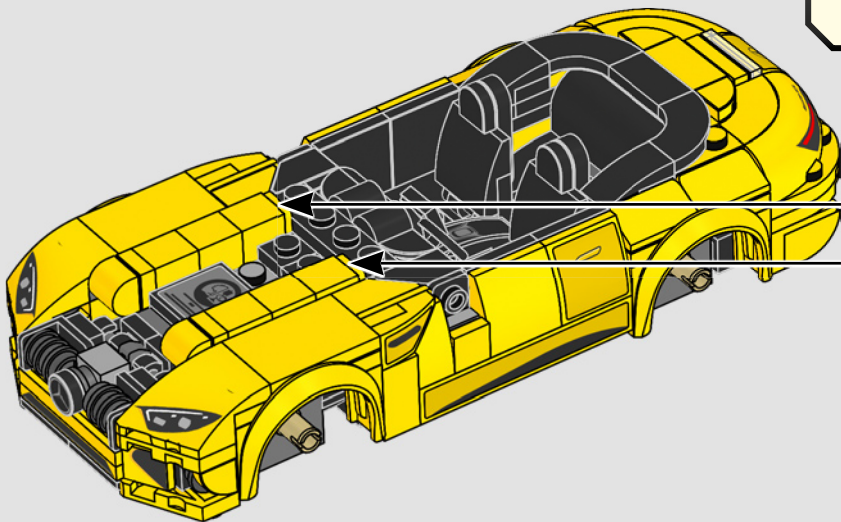
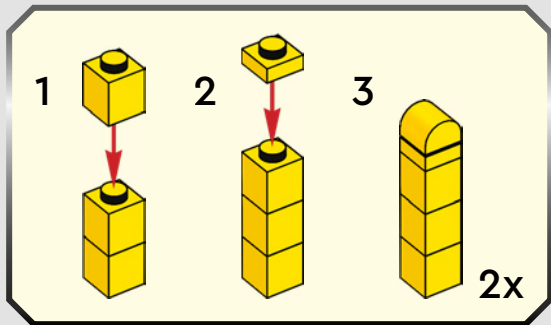


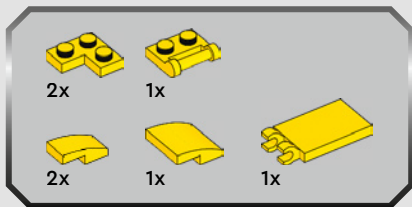
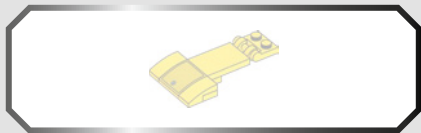
83





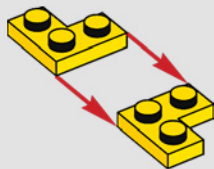
84



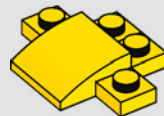


85

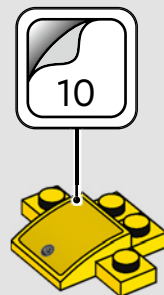
1



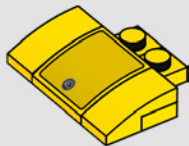
2



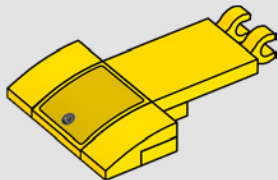
3



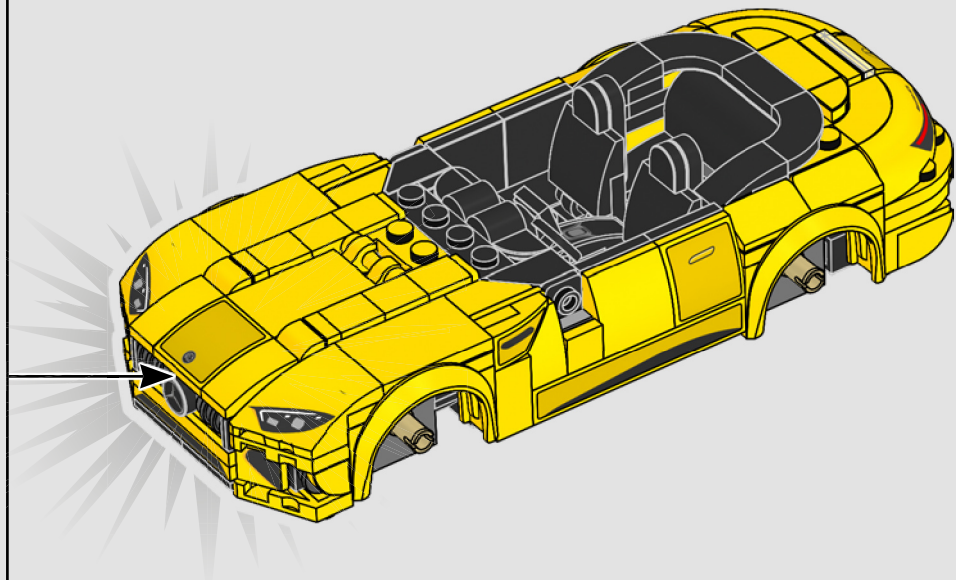
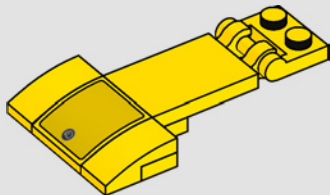
4

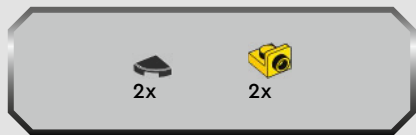


5

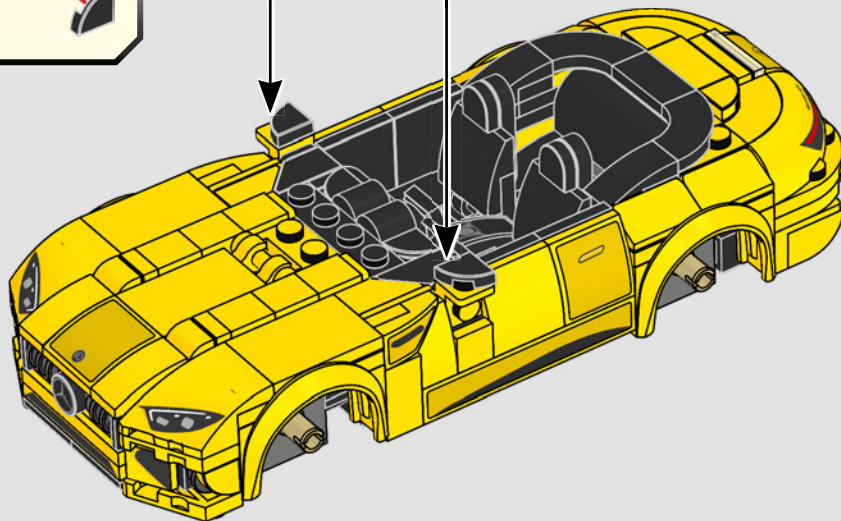
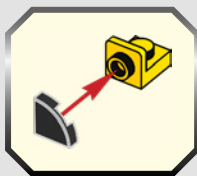


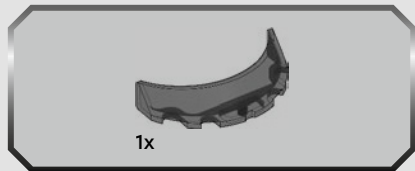
6



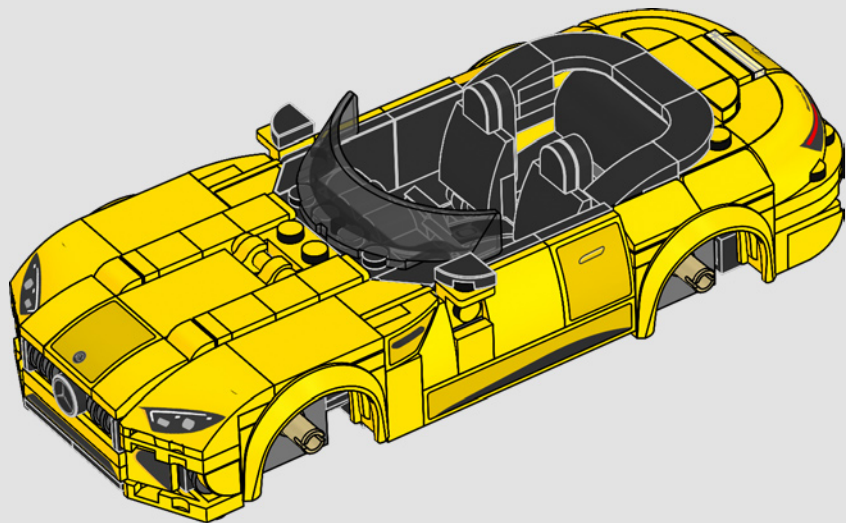


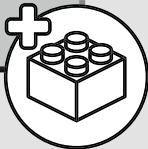
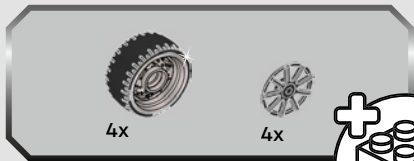
86



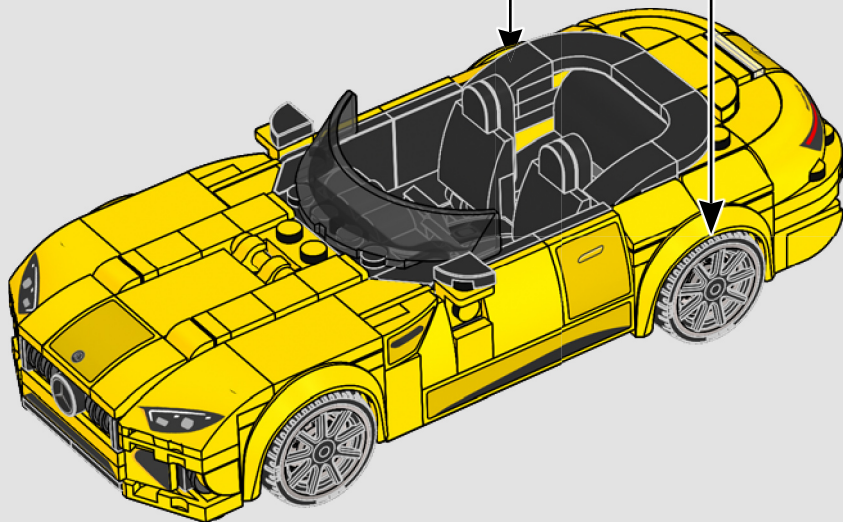


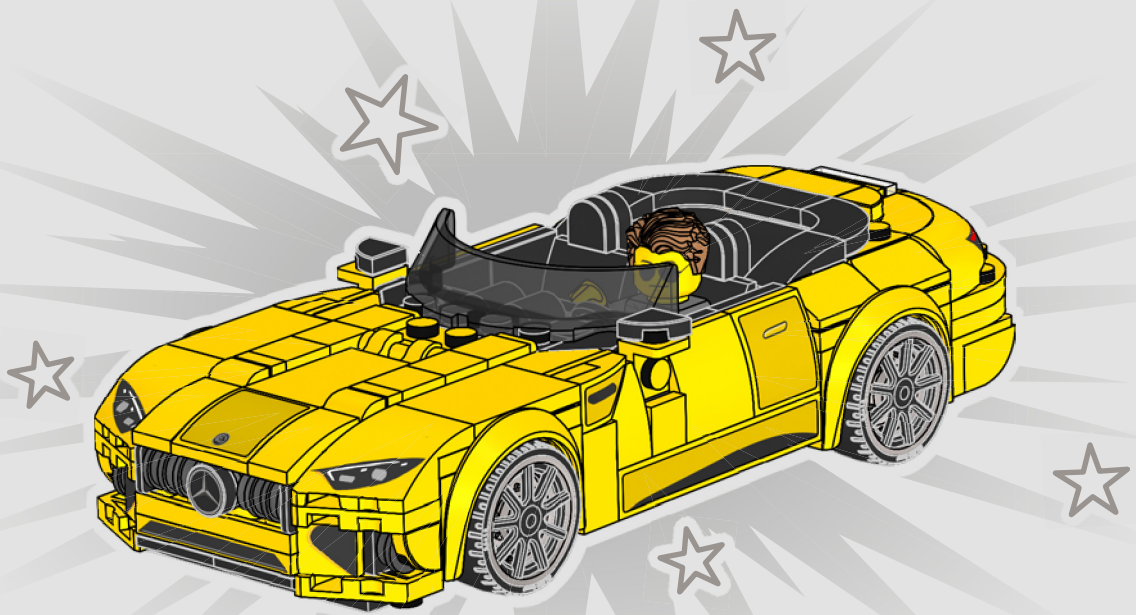
87





88







SPEED CHAMPIONS

76923



76924

AMG



The "Lamborghini" and "Lamborghini Bull and Shield" trademarks, copyrights, designs and models are used under license from Automobili Lamborghini S.p.A, Italy.

//////AMG, „Mercedes-Benz" and "Three-pointed star in a ring" are the intellectual property of Mercedes-Benz Group AG. They are used by The LEGO Group under license.



LEGO and the LEGO logo are trademarks of the LEGO Group.
©2024 The LEGO Group. 6522905
//////AMG, „Mercedes-Benz“ and “Three-pointed star in a ring”
are the intellectual property of Mercedes-Benz Group AG.
They are used by The LEGO Group under license.

Rebuild
the
world™

