



SPEED
CHAMPIONS

76917





 **FR**
DONNEZ
OU
RECYCLEZ

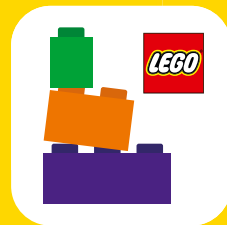
 OU  OU 

ASSOCIATION MAGASIN DÉCHÈTERIE

Adresses sur quefairedemesdechets.fr



LEGO.com/sustainable-packaging



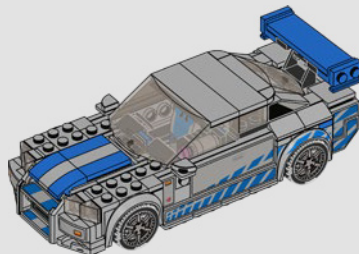
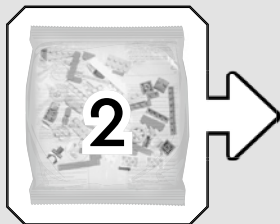
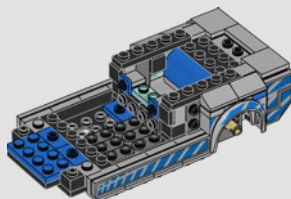
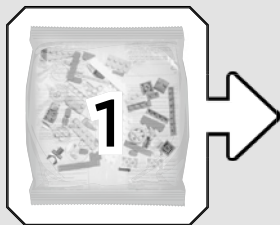
BUILDER

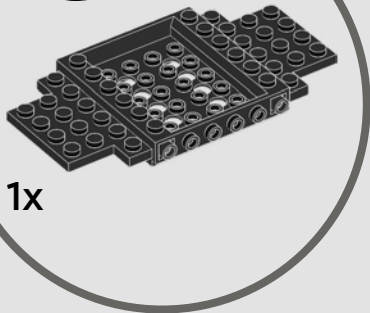
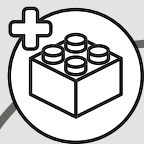


Apple and the Apple logo are trademarks of Apple Inc., registered in the U.S. and other countries and regions. App Store is a service mark of Apple Inc. Google Play and the Google Play logo are trademarks of Google LLC. Tencent and the Tencent logo are trademarks of Tencent Inc.

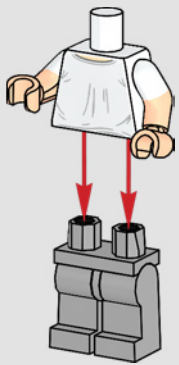
Q [LEGO.com/devicecheck](https://www.lego.com/devicecheck)

EN Ask parents' permission before going online | **DE** Eltern um Erlaubnis bitten, bevor du online gehst | **FR** Demande l'autorisation d'un parent avant d'aller en ligne | **IT** Chiedi il permesso ai tuoi genitori prima di andare online | **ES** Pídeles permiso a tus papás antes de conectarte a Internet | **PT** Pede autorização aos pais antes de acederes online | **JA** オンラインになる前にほご者の方のきよかをもらおう | **ZH** 上网前应先征得父母的同意 | **KO** 온라인 접속 전에 보호자 동의가 필요합니다 | **RU** Спроси разрешения у родителей, прежде чем заходить в интернет | **PL** Poproś rodziców o zgodę, zanim wejdiesz do Internetu | **CS** Než půjdeš na internet, požádej rodiče o svolení | **SK** Skôr než pôjdeš na internet, vypýtaj si povolenie od rodičov | **HU** Kérj szülői engedélyt, mielőtt online csatlakoznál! | **RO** Cere permisiunea părinților înainte de a te conecta online | **BG** Поискайте разрешение от родител, преди да влезете онлайн | **LV** Pirms došanās tiešsaistē palūdz atļauju vecākiem | **ET** Enne Interneti kasutamist küsi vanematelt luba | **LT** Prieš prisijungdami prie interneto, atsklauskite tėvų

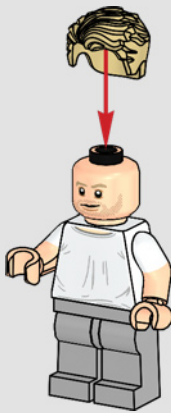




1

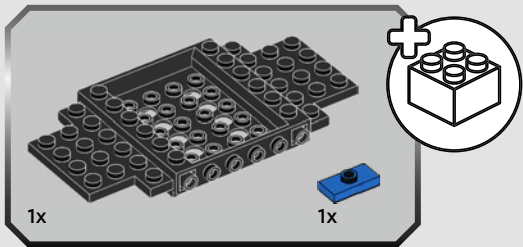


2

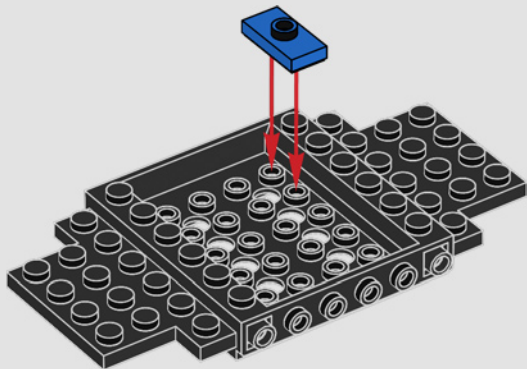


3



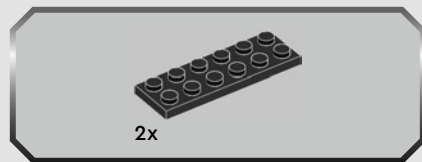
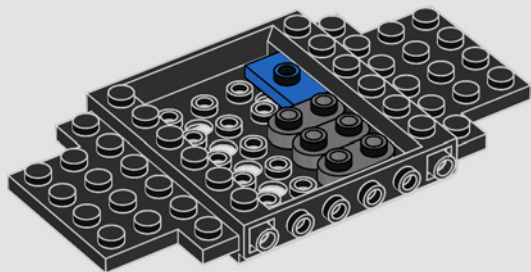


1

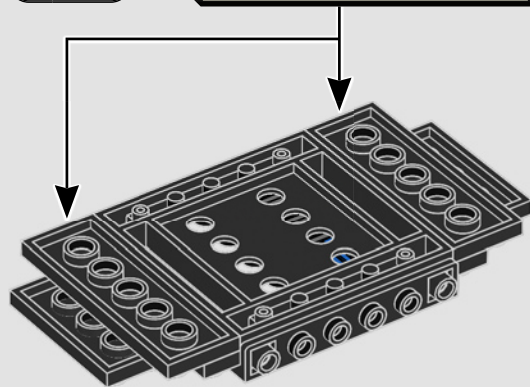
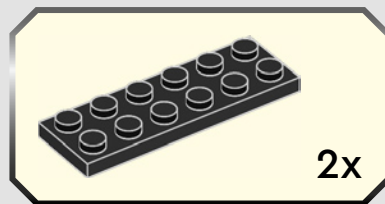




2

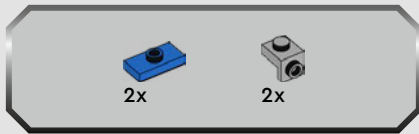
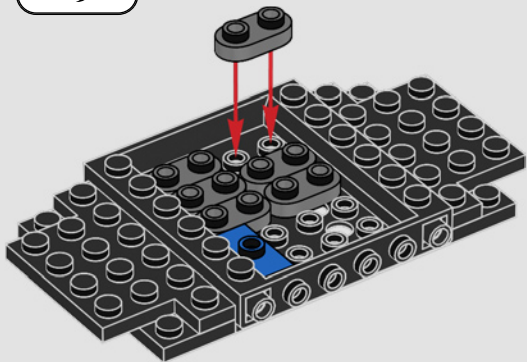


3

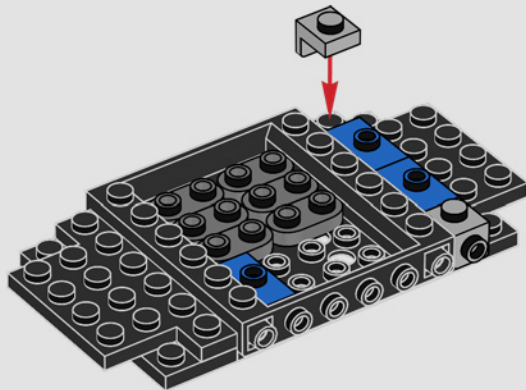




4

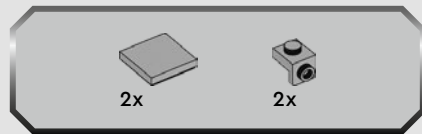
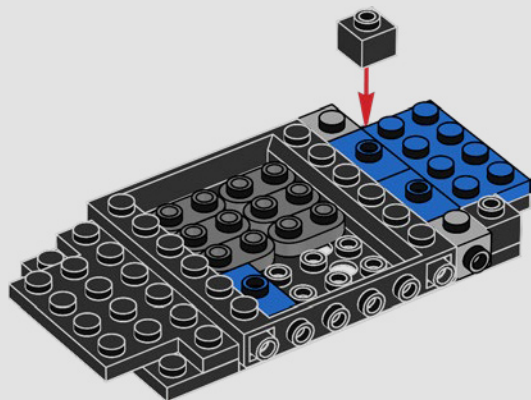


5

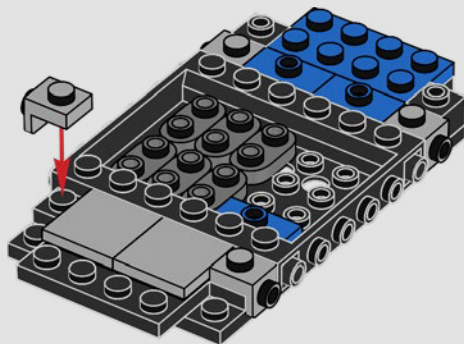


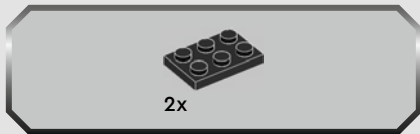


6

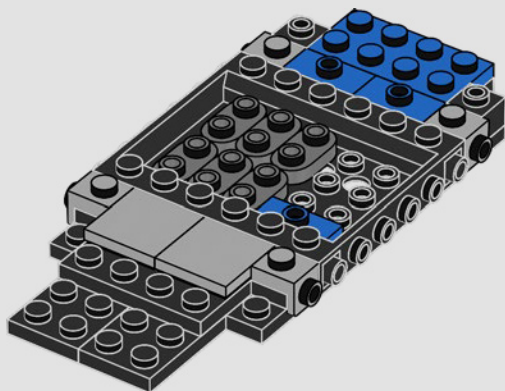


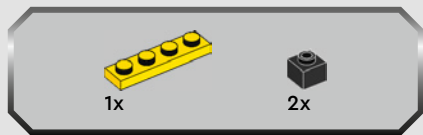
7



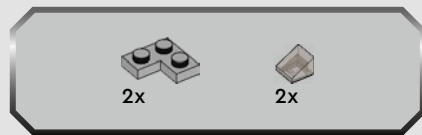
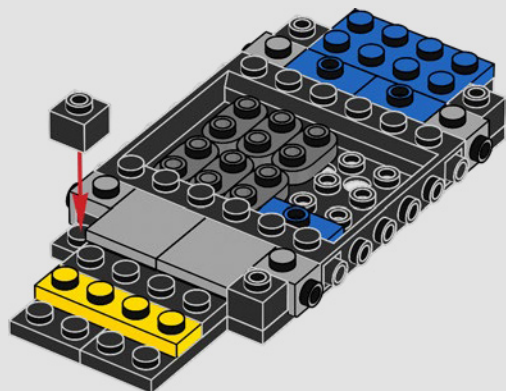


8

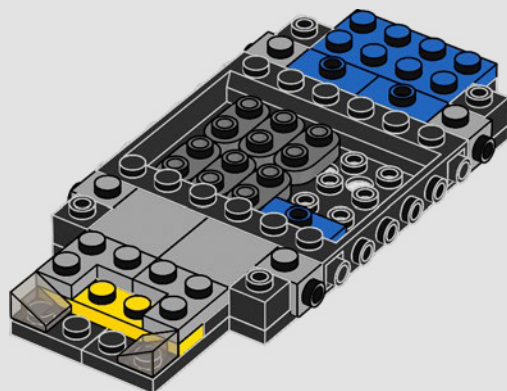


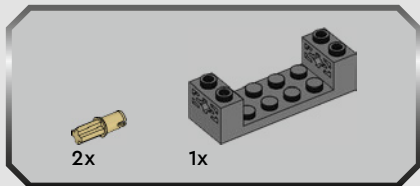


9

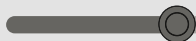
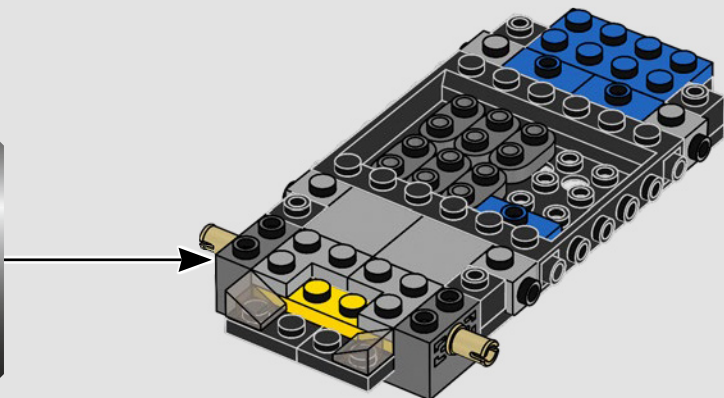
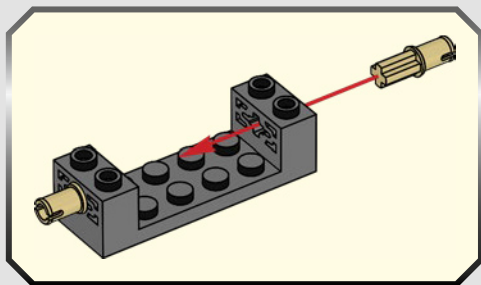


10



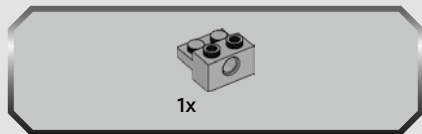
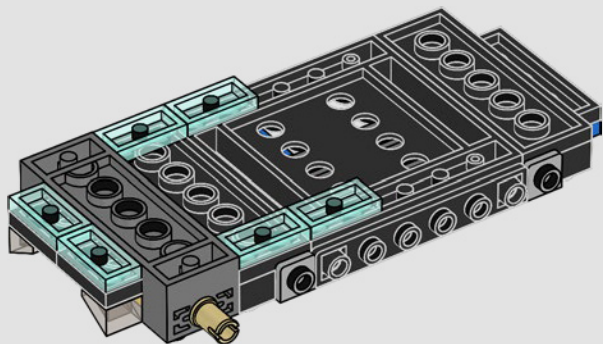
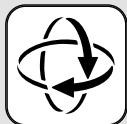


11

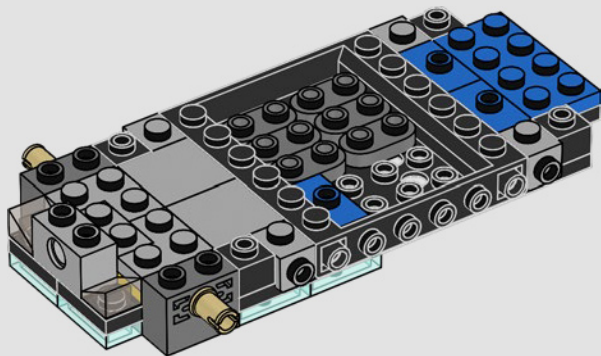




12

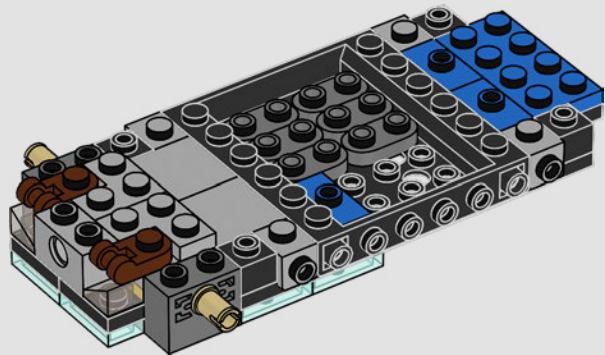


13

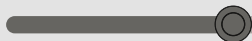
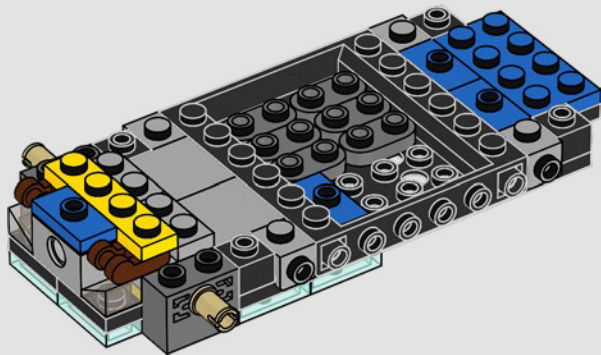


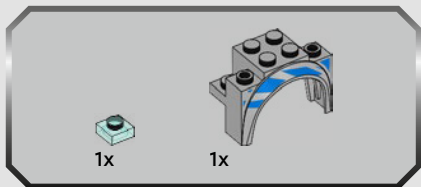


14

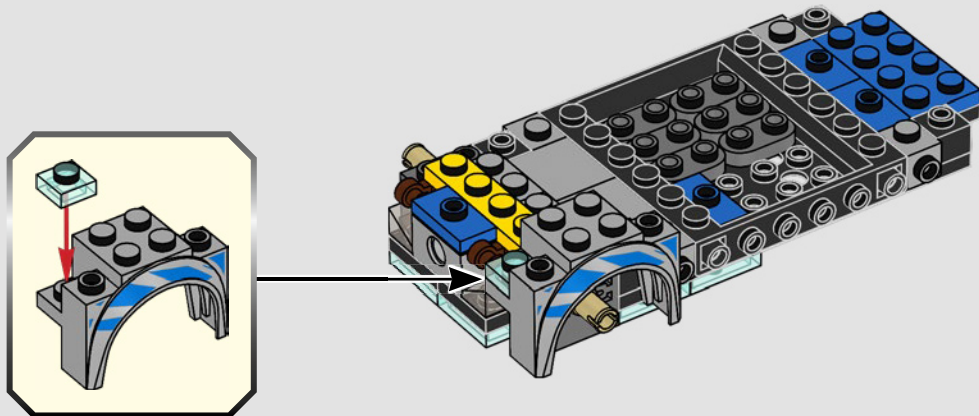


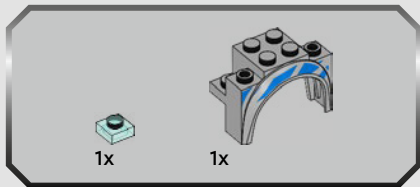
15



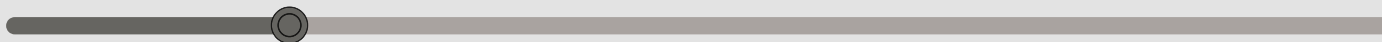
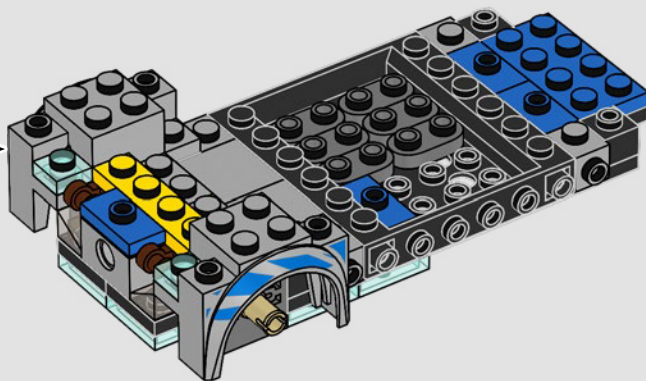
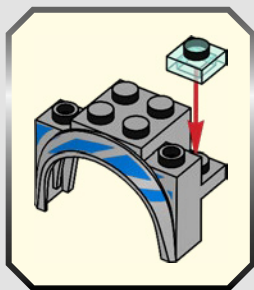


16



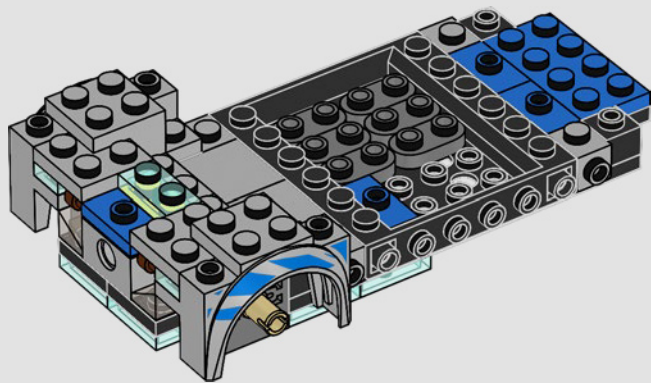


17





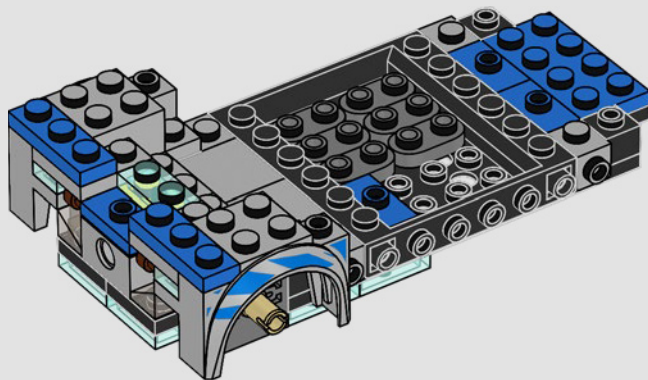
18

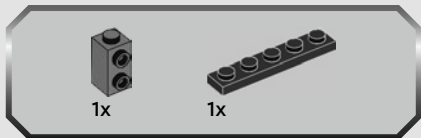
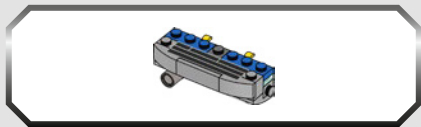




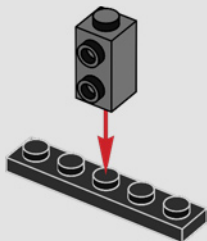
2x

19

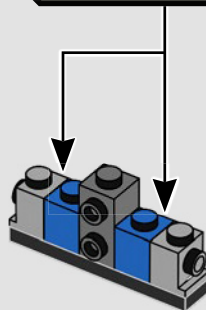
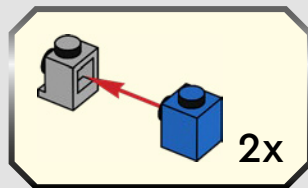




20

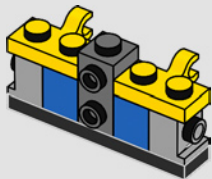


21

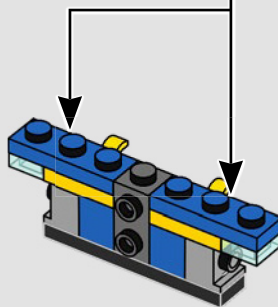
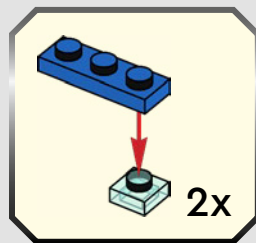




22

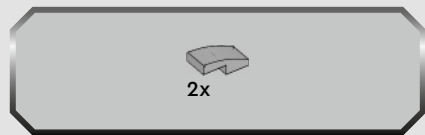
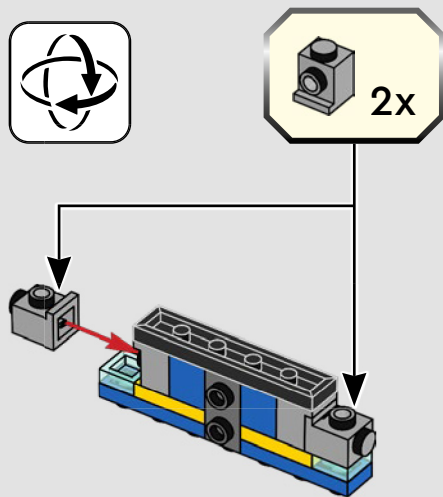


23

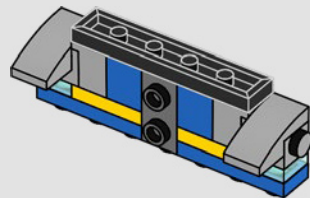


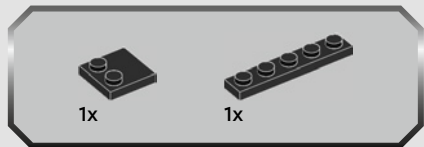
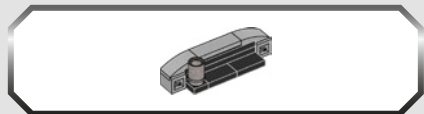


24

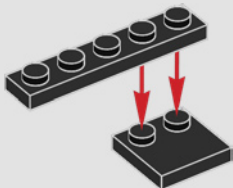


25

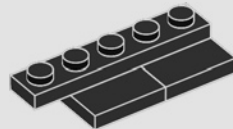




26

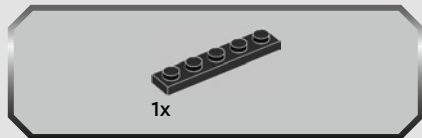
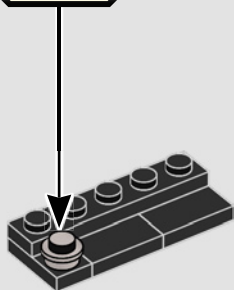
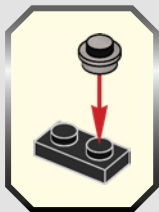


27

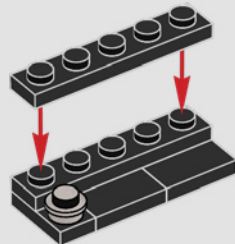




28



29



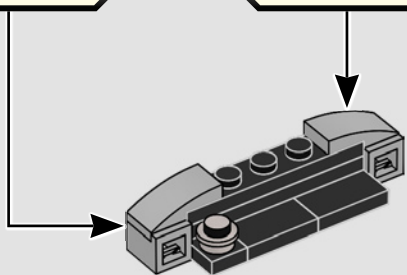
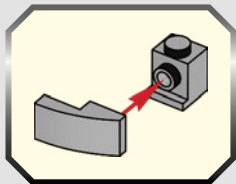
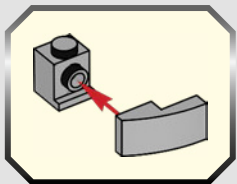


2x



2x

30

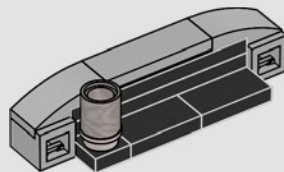


1x

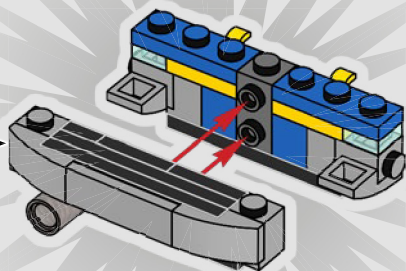


1x

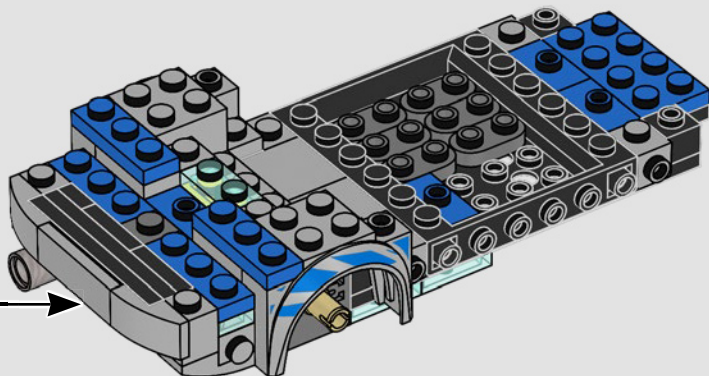
31



32



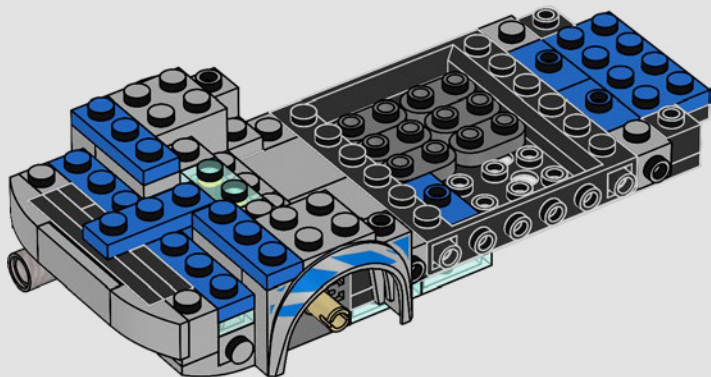
33





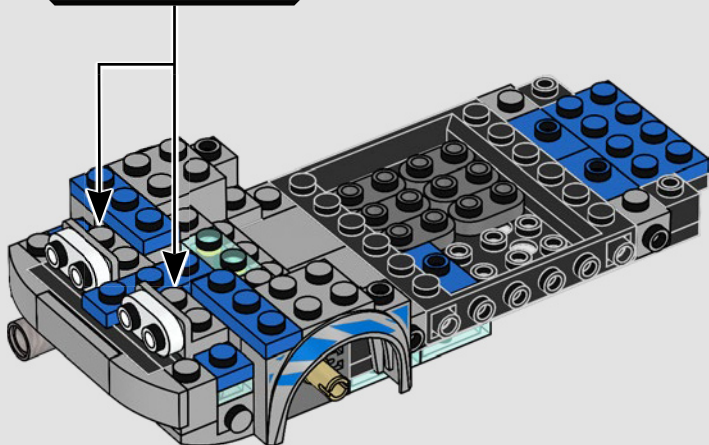
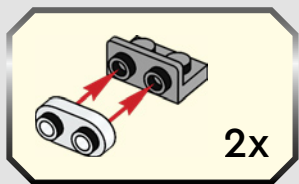
1x

34



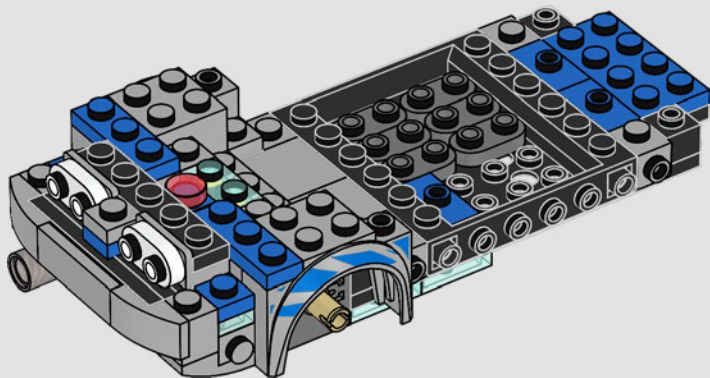


35



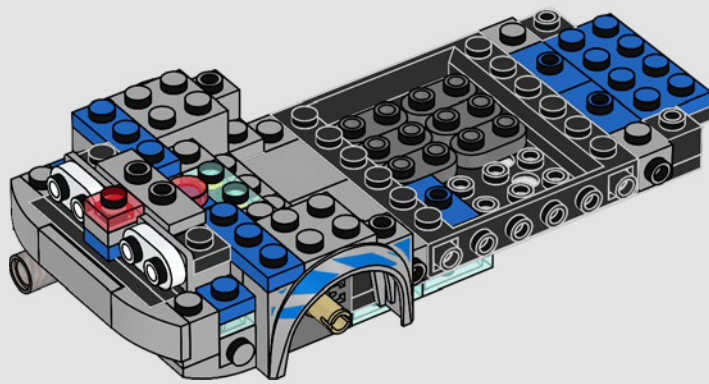


36





37



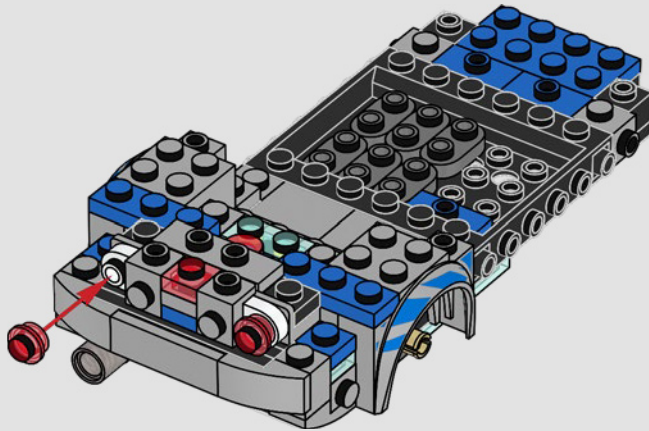


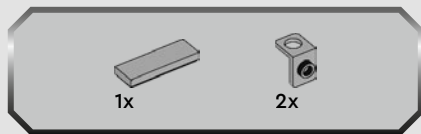
2x



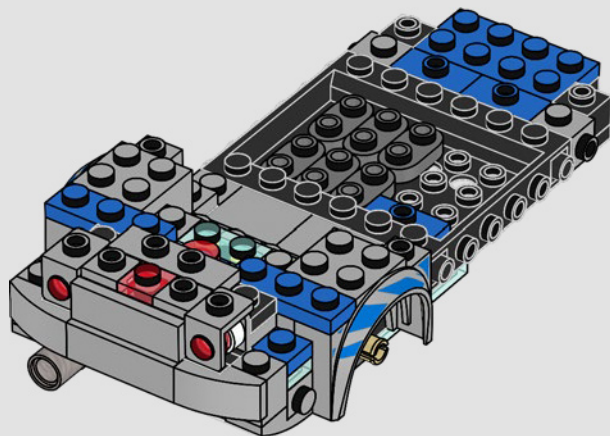
2x

38

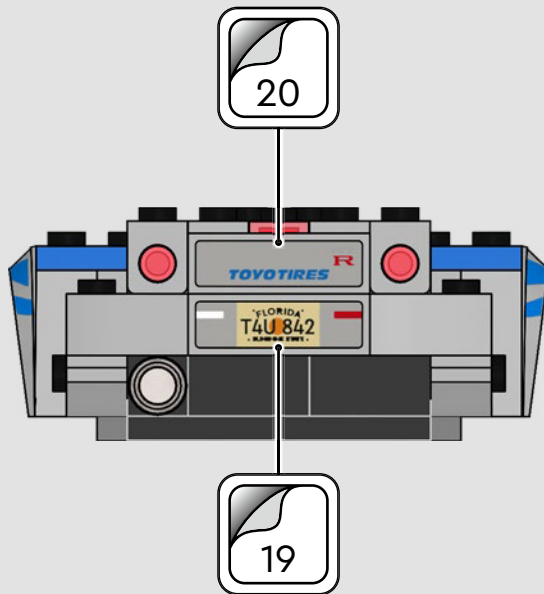




39

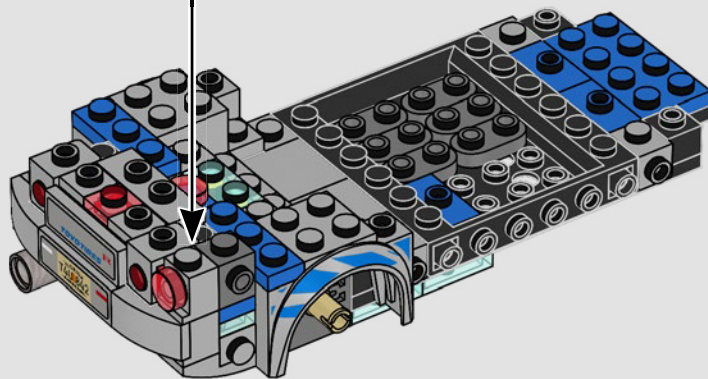
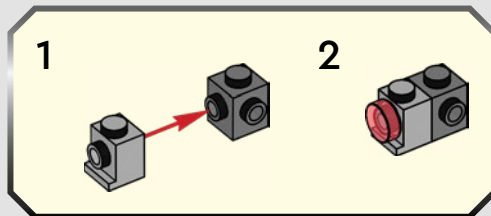


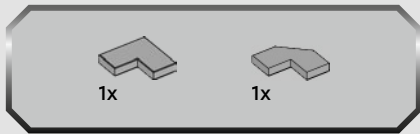
40



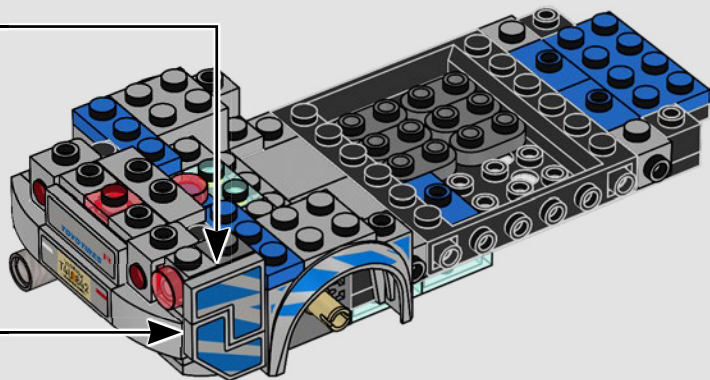
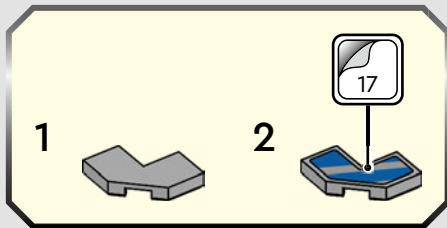
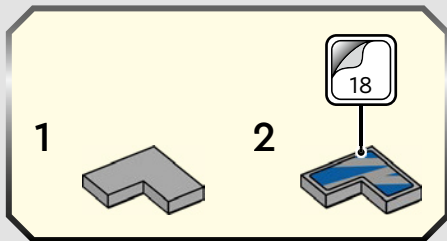


41



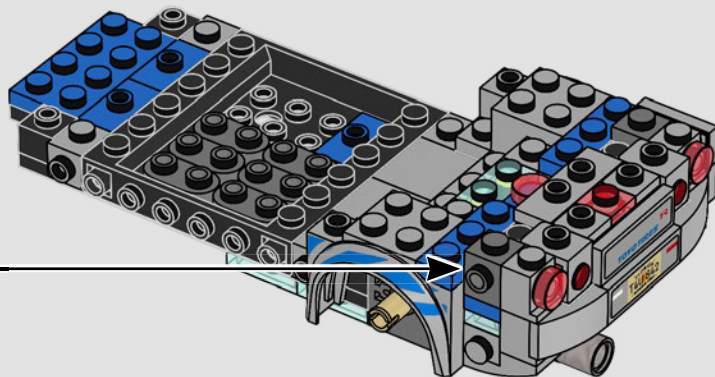
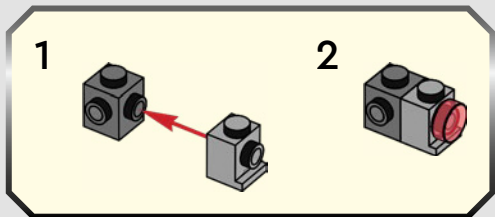


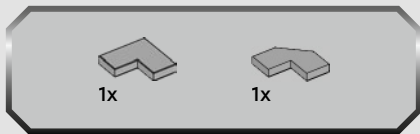
42



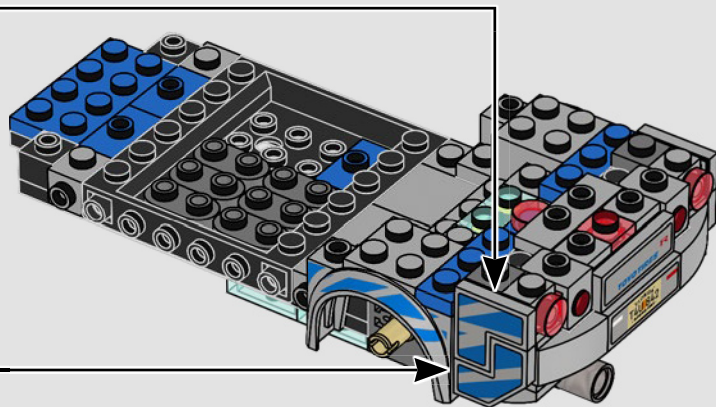
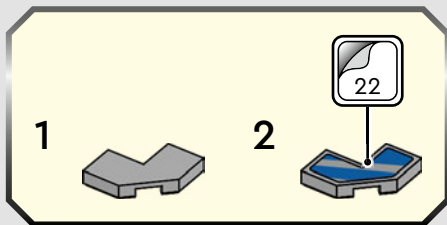
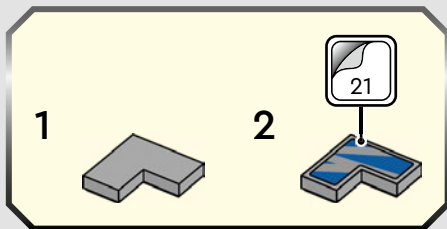


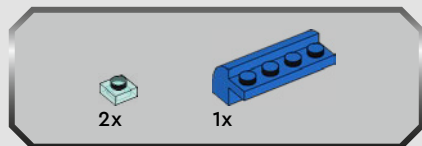
43



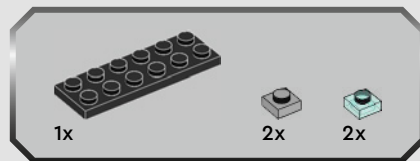
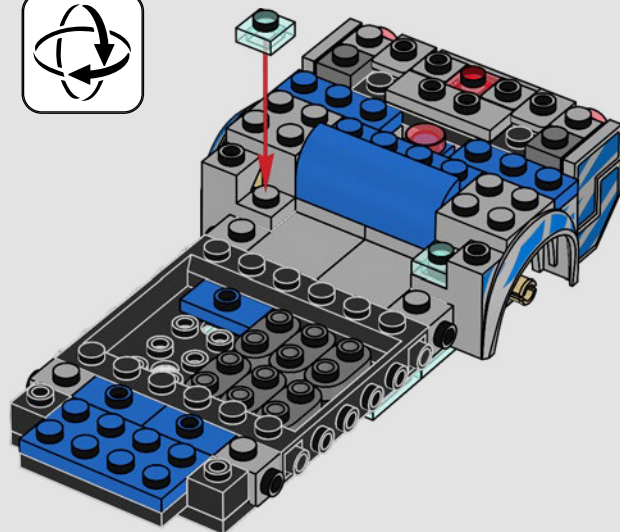


44

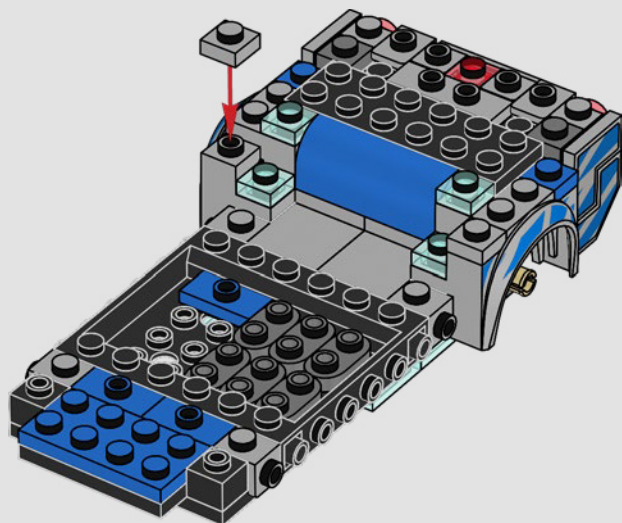




45

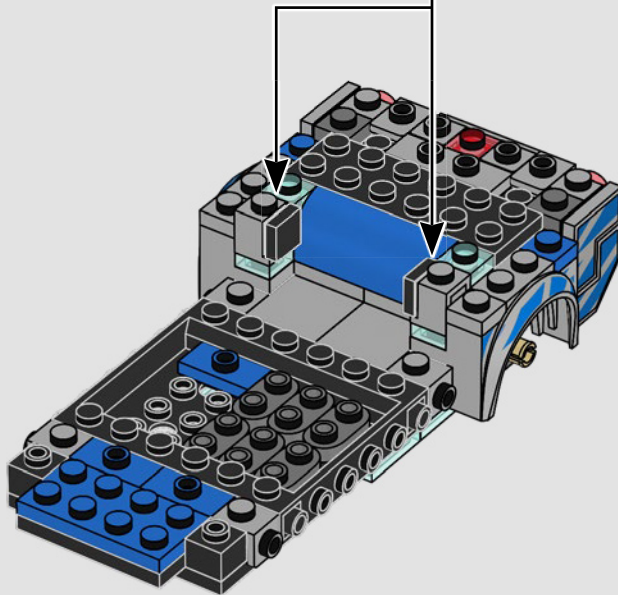
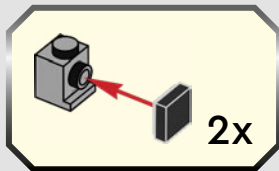


46



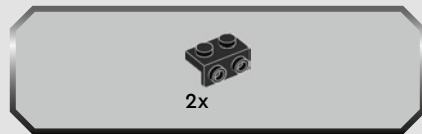
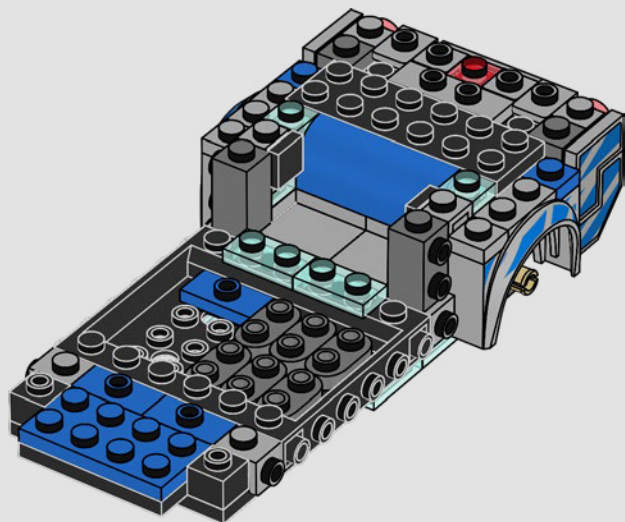


47

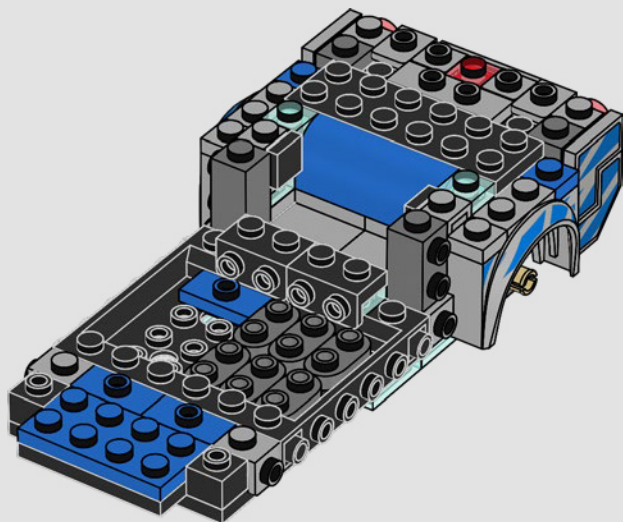




48



49



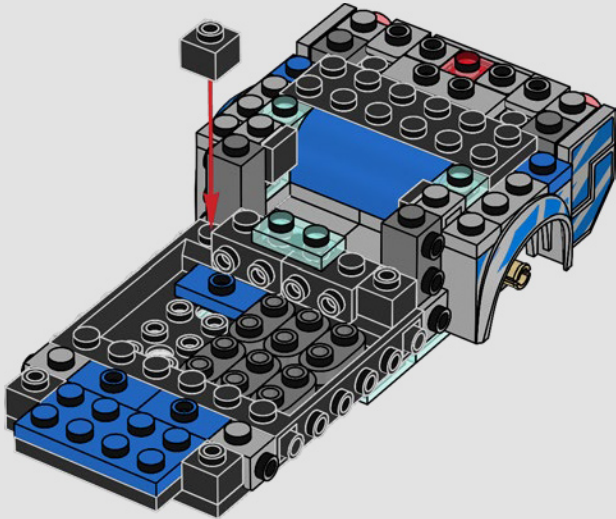


1x



2x

50

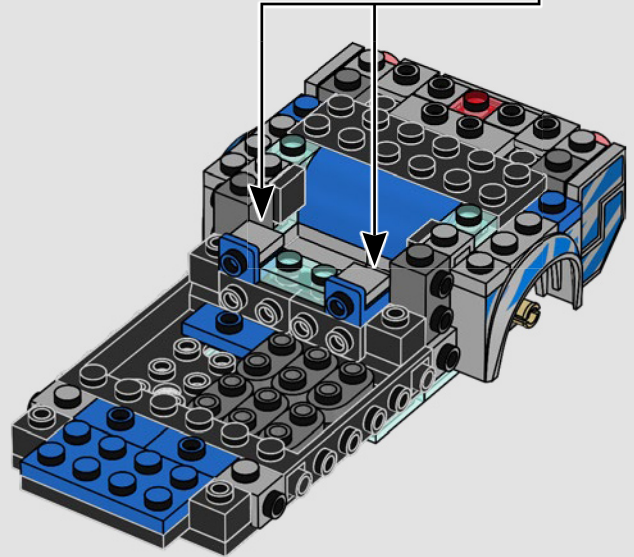


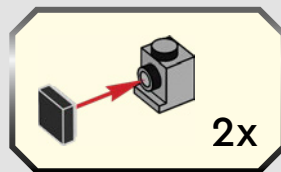
2x



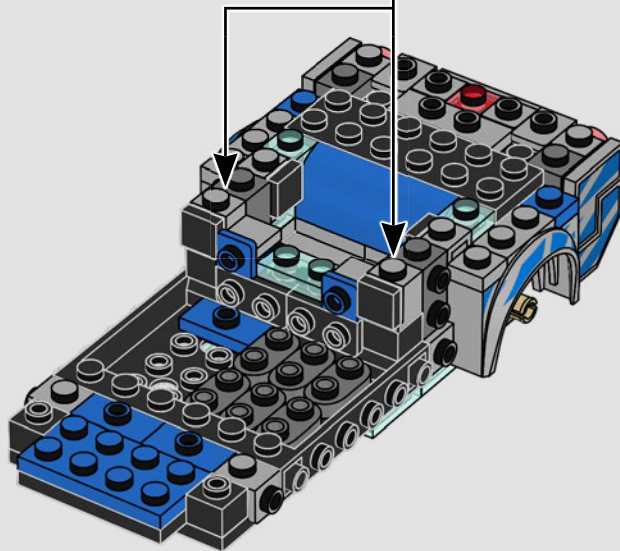
2x

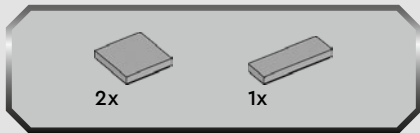
51



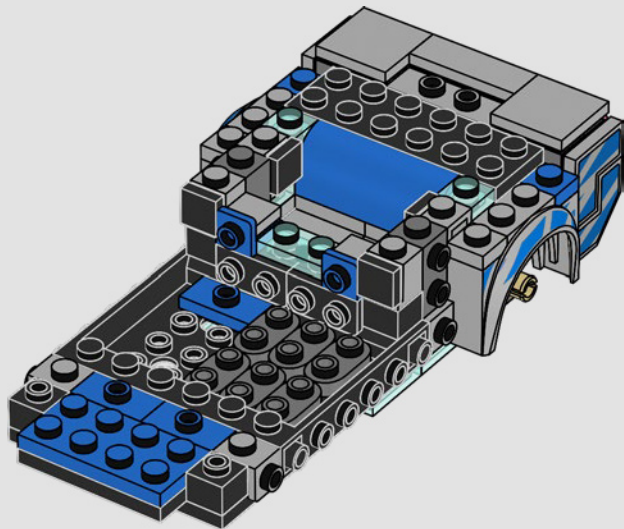


52



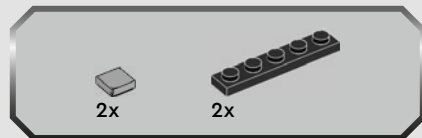
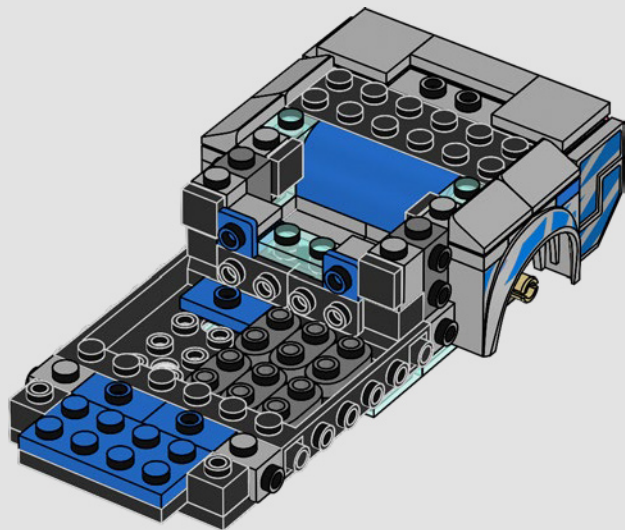


53

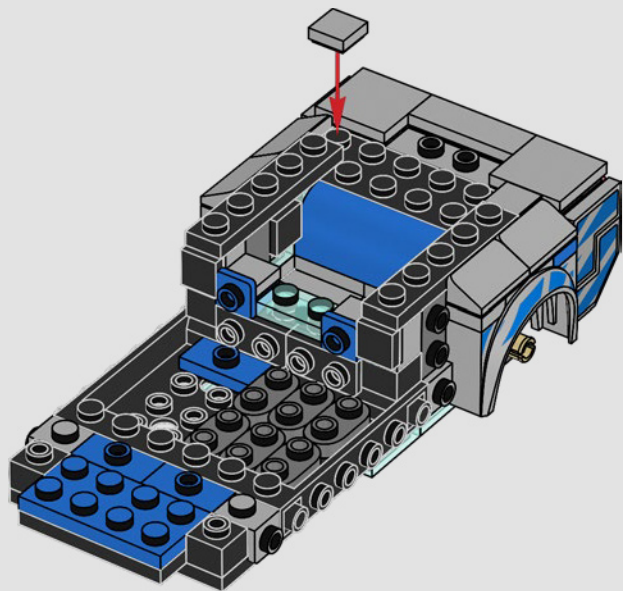


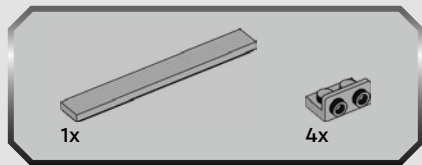


54



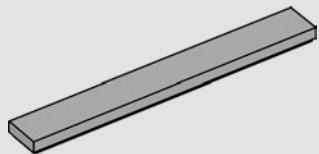
55



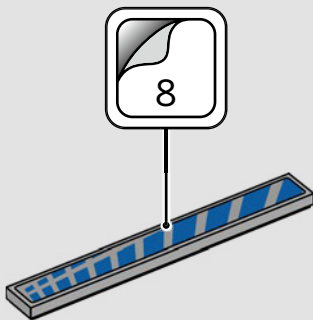


56

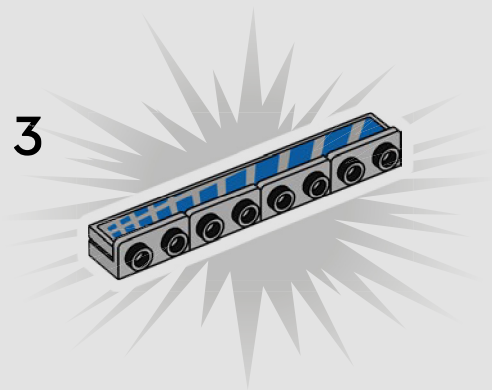
1

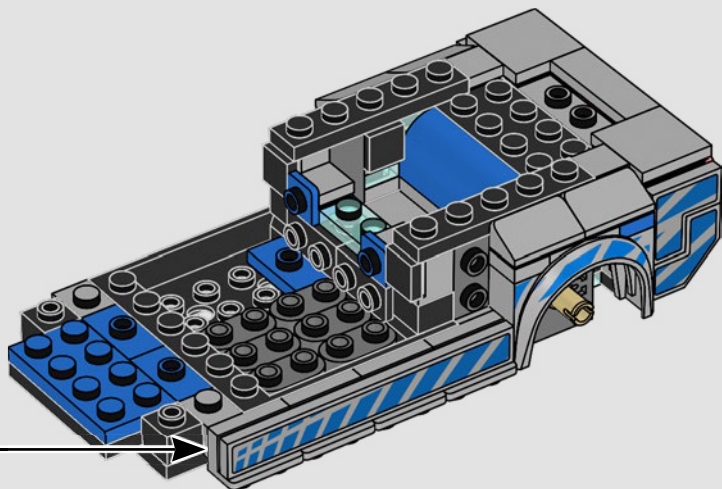


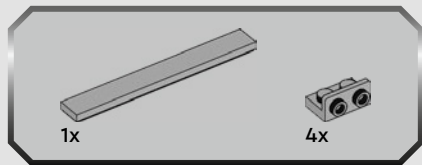
2



3

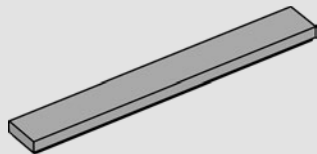




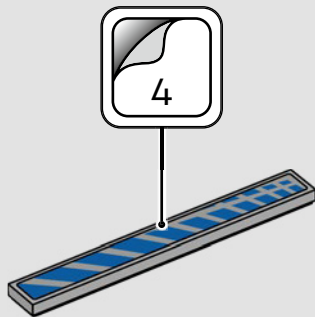


57

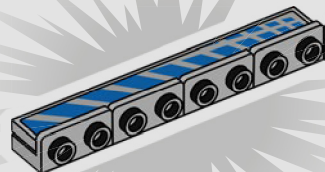
1

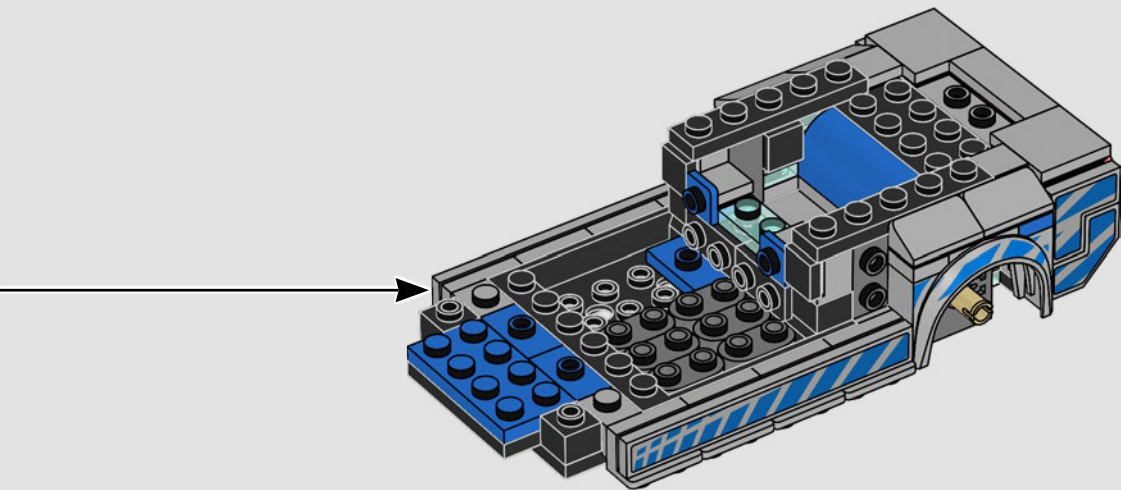


2

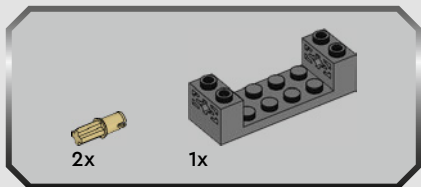


3

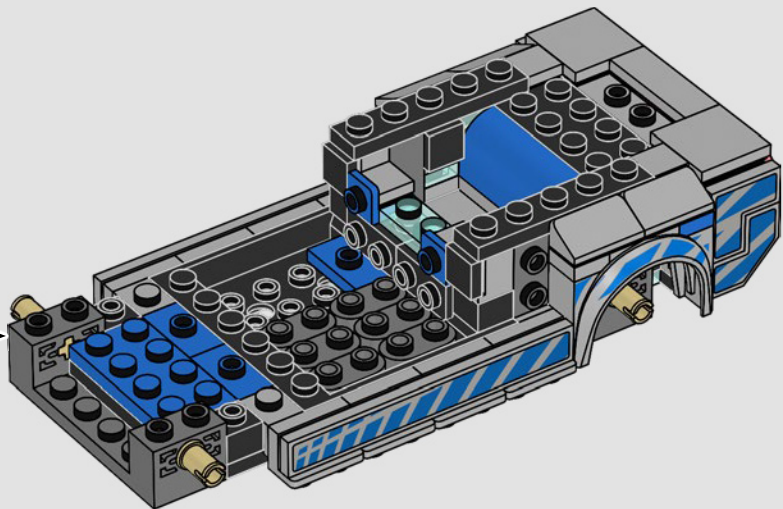
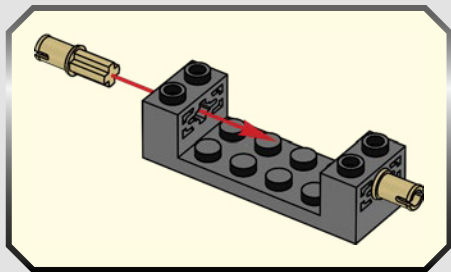


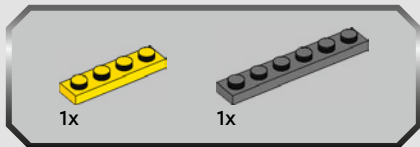




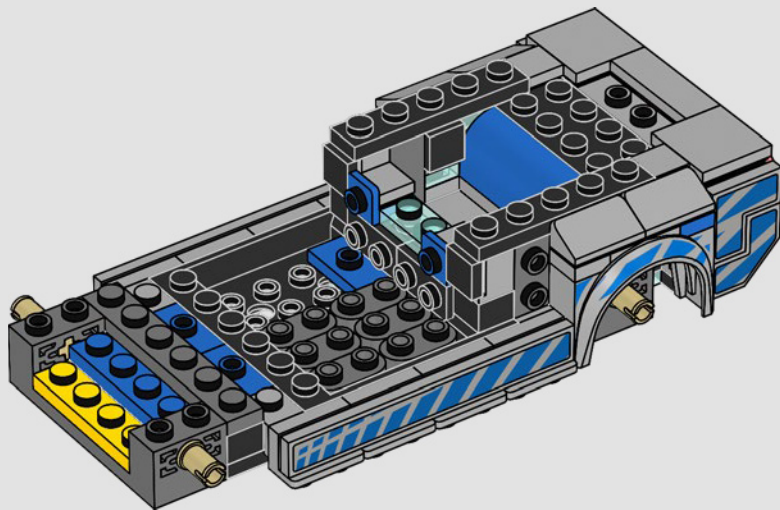


58





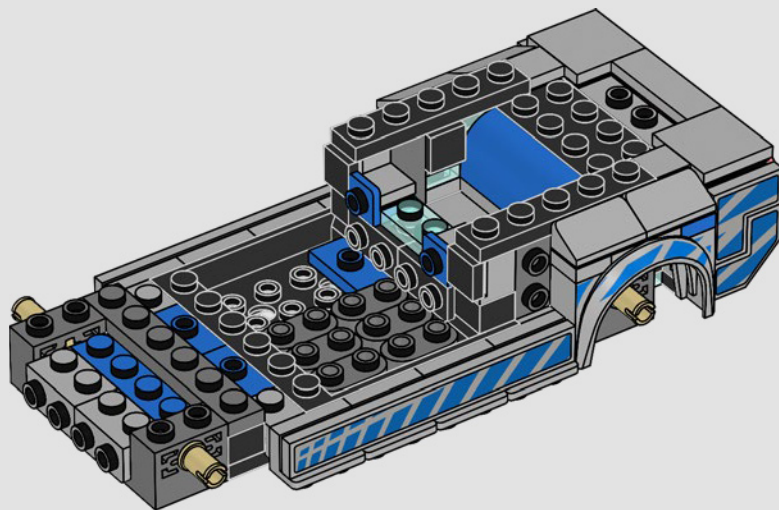
59

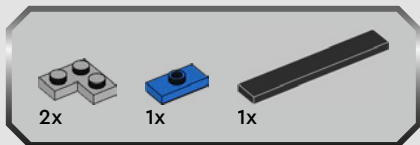




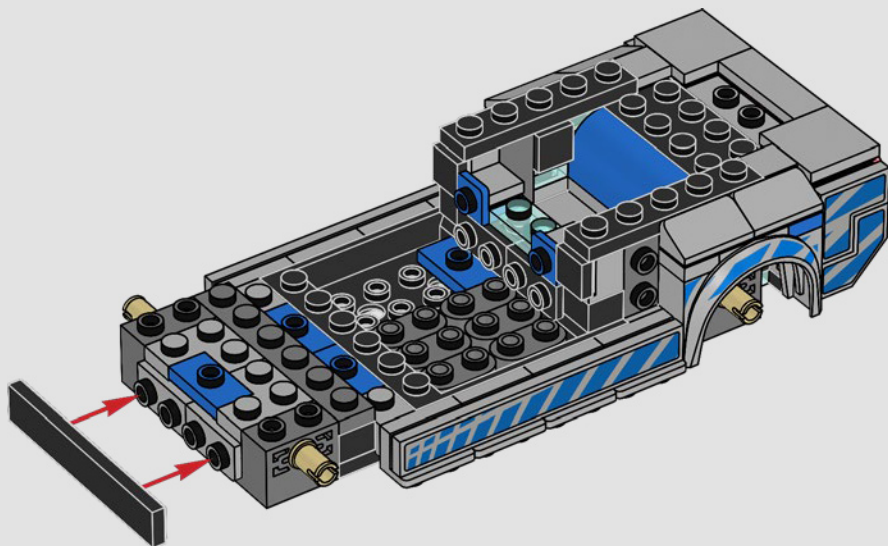
2x

60



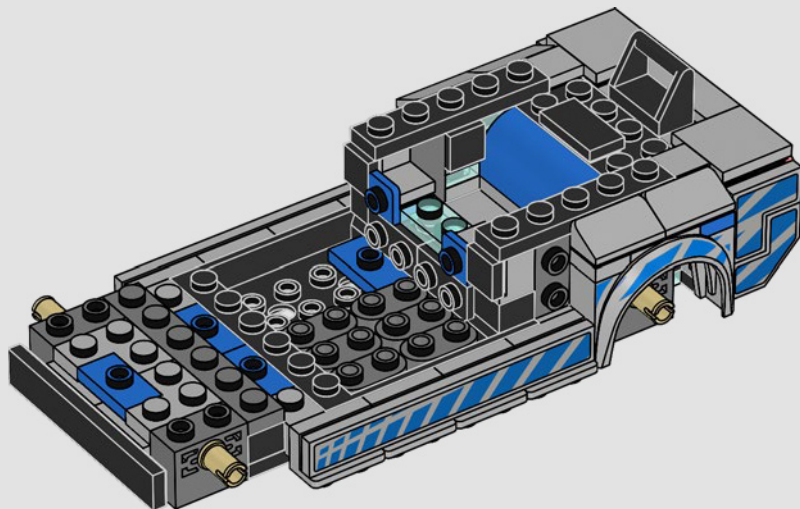


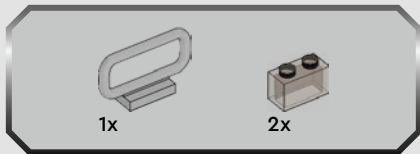
61



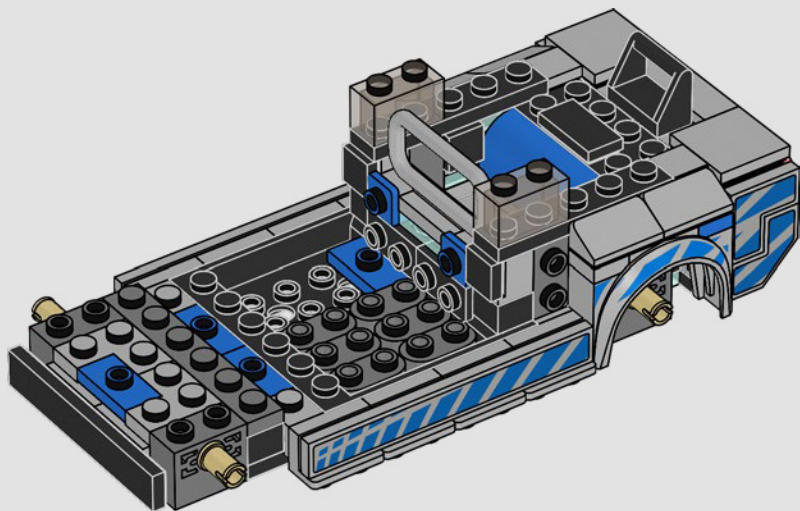


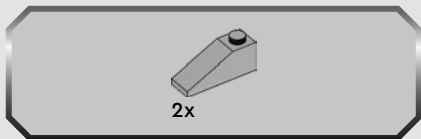
62



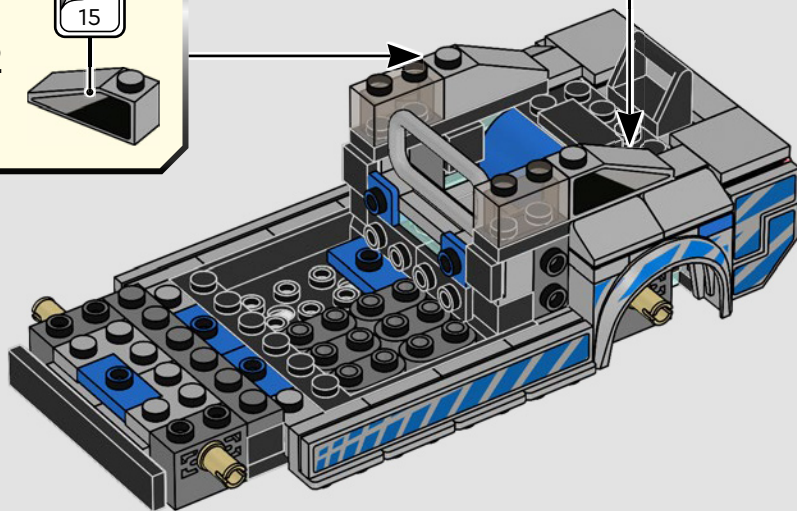
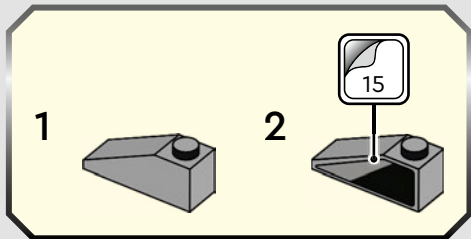
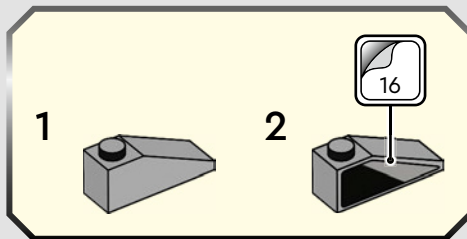


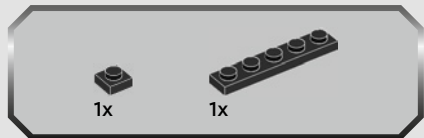
63



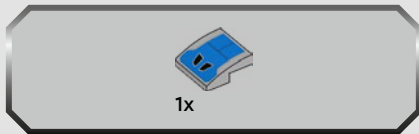
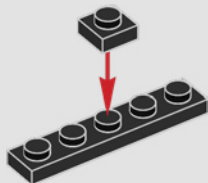


64

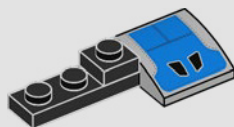




65

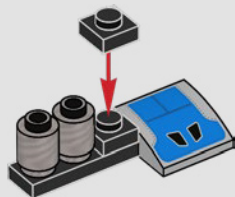


66

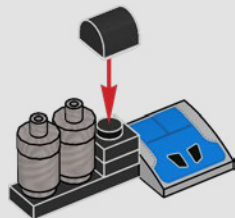




67

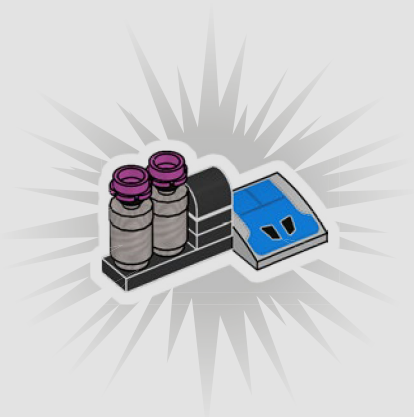


68

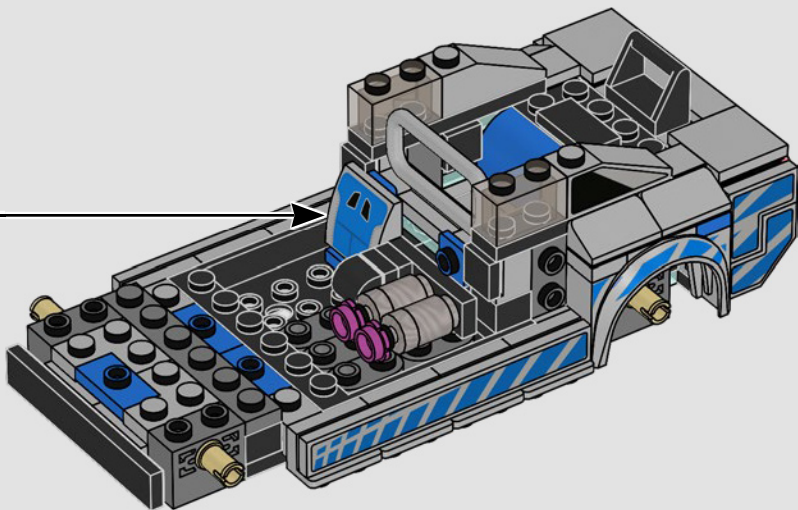


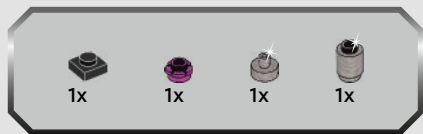


69

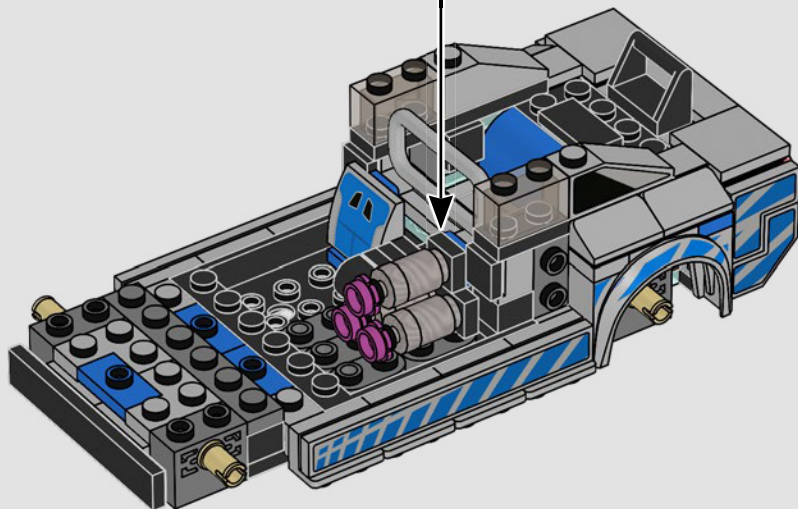
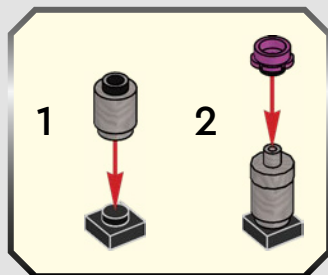


70





71



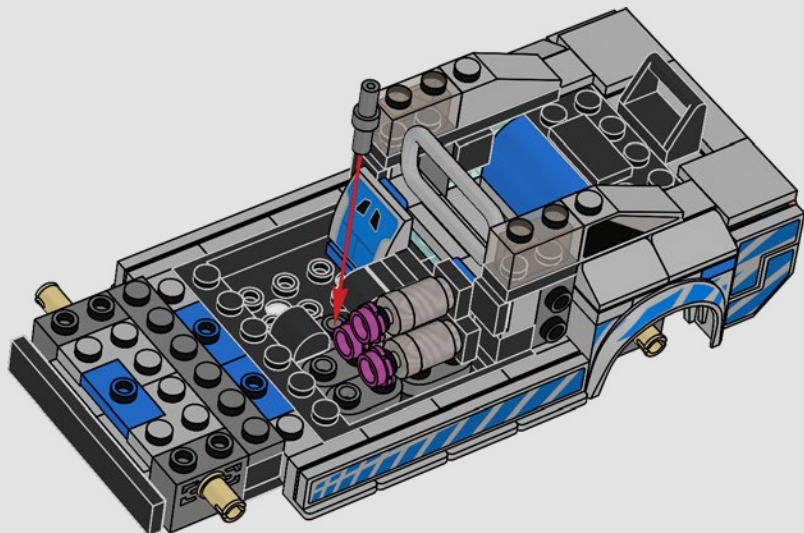


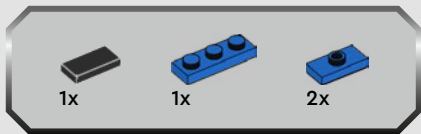
1x



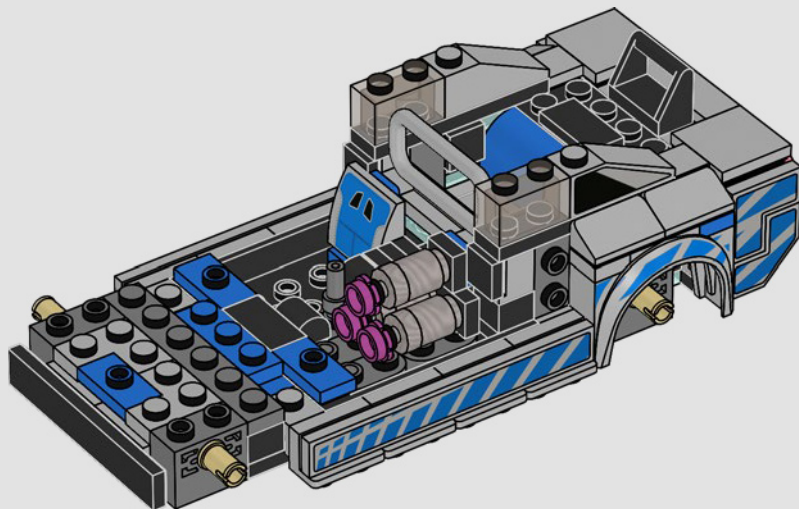
1x

72



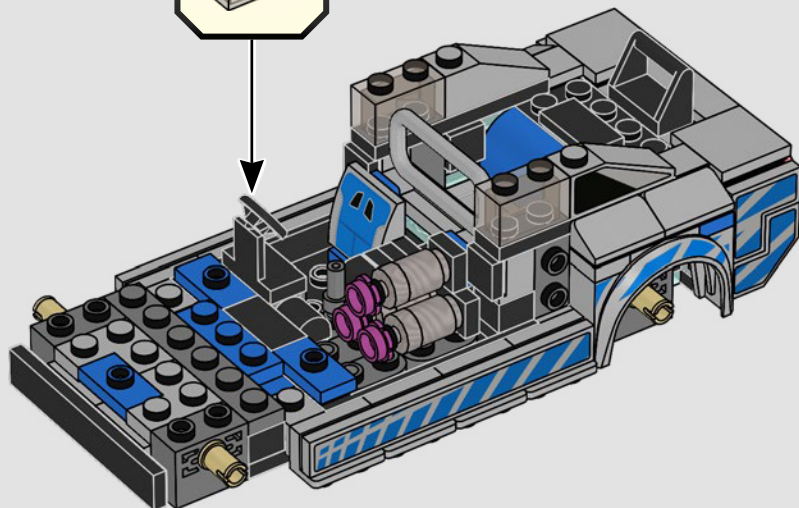
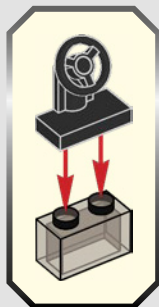


73



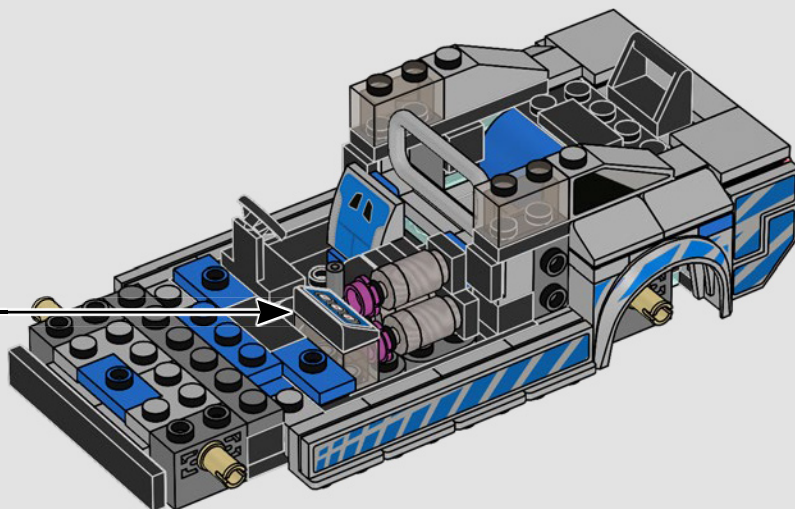
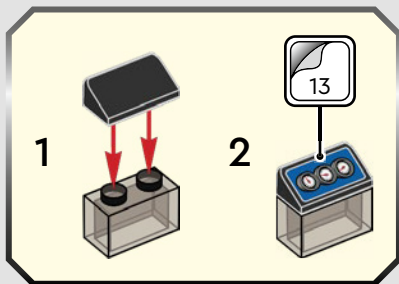


74





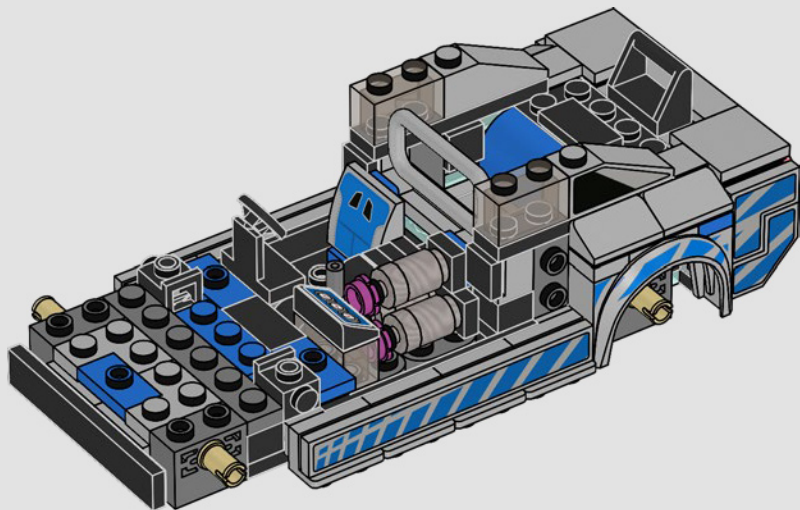
75

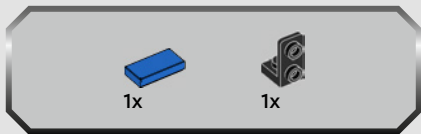




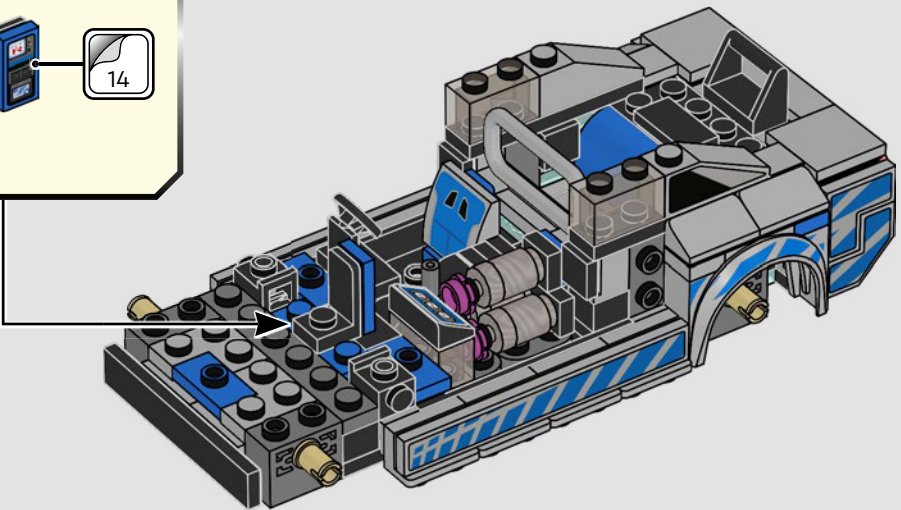
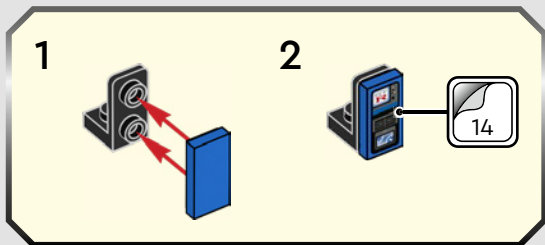
2x

76





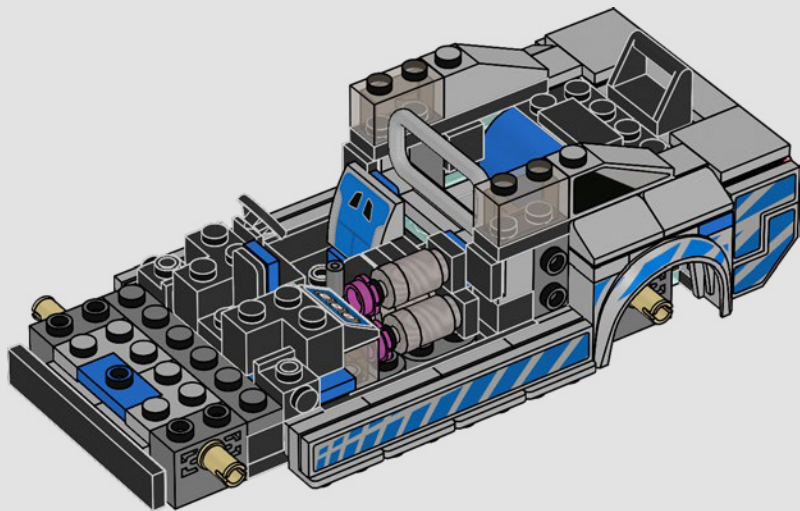
77





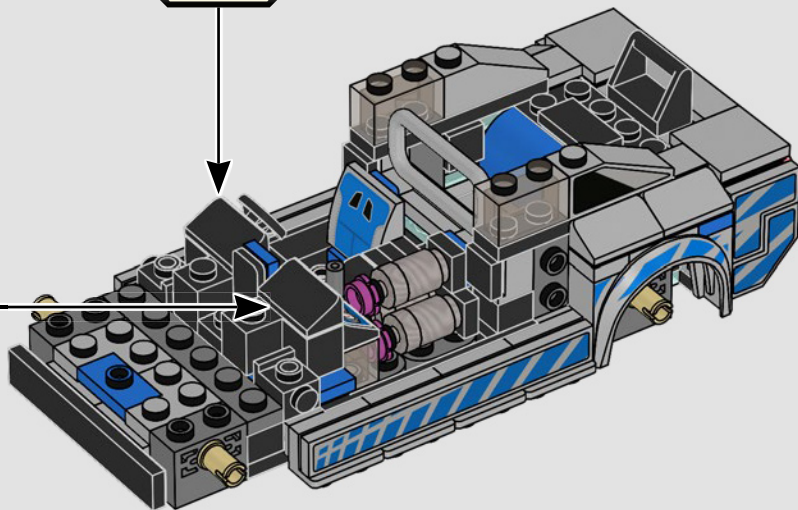
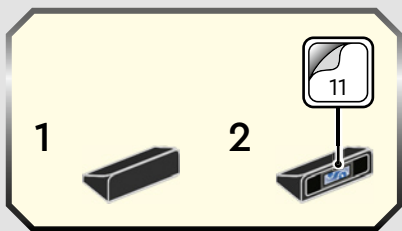
2x

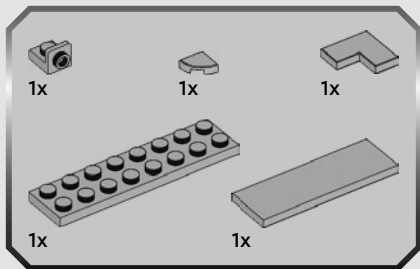
78





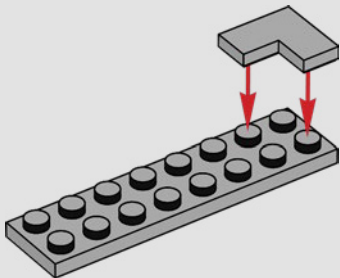
79



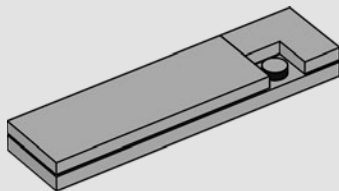


80

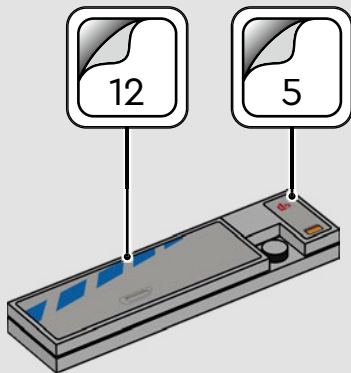
1



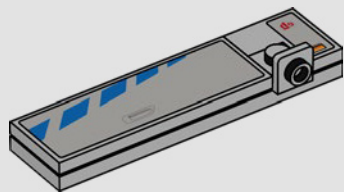
2



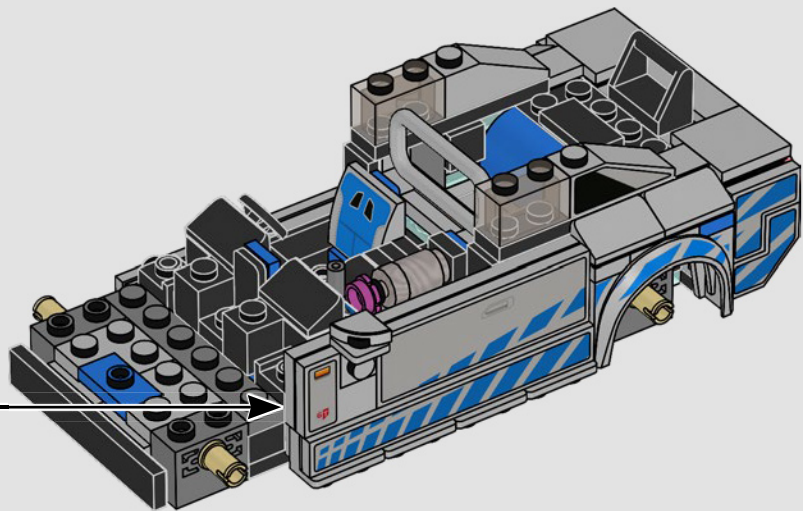
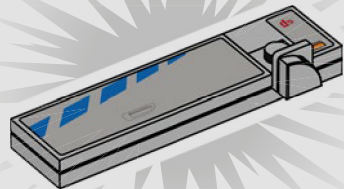
3

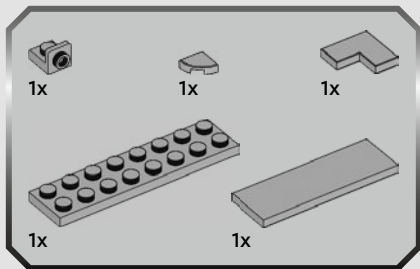


4

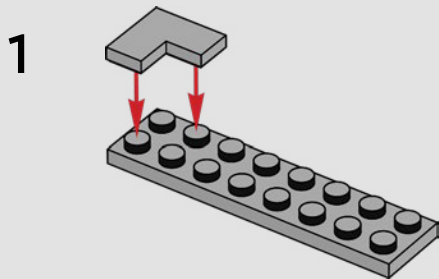


5

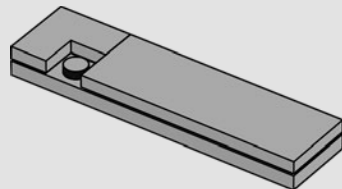




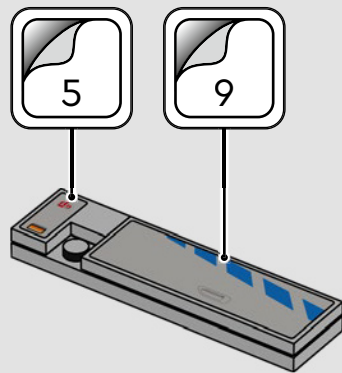
81



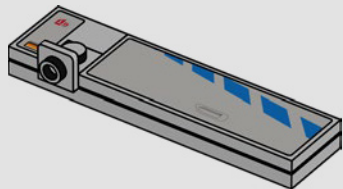
2



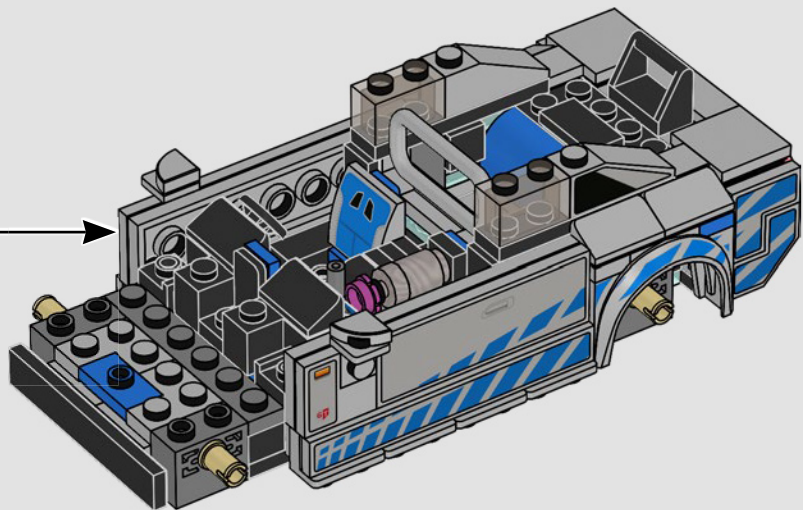
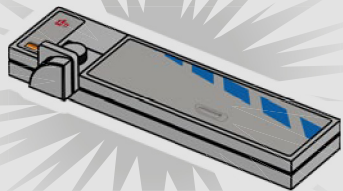
3



4



5



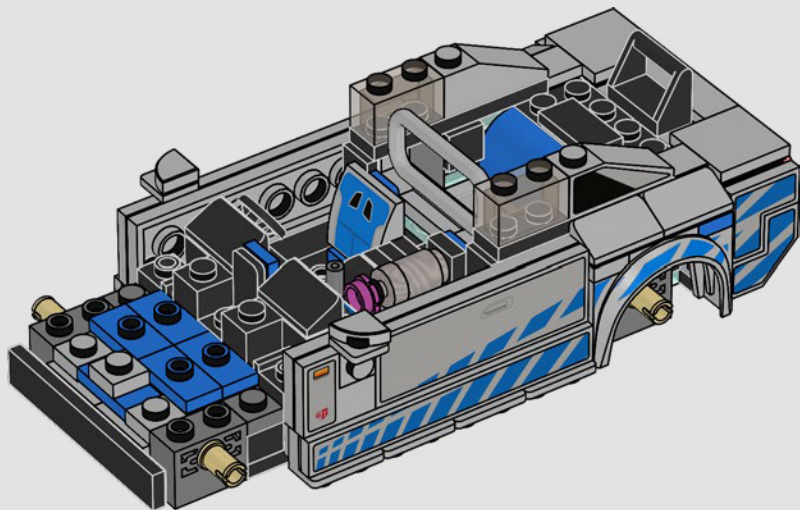


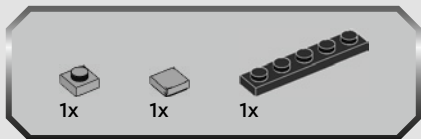
1x



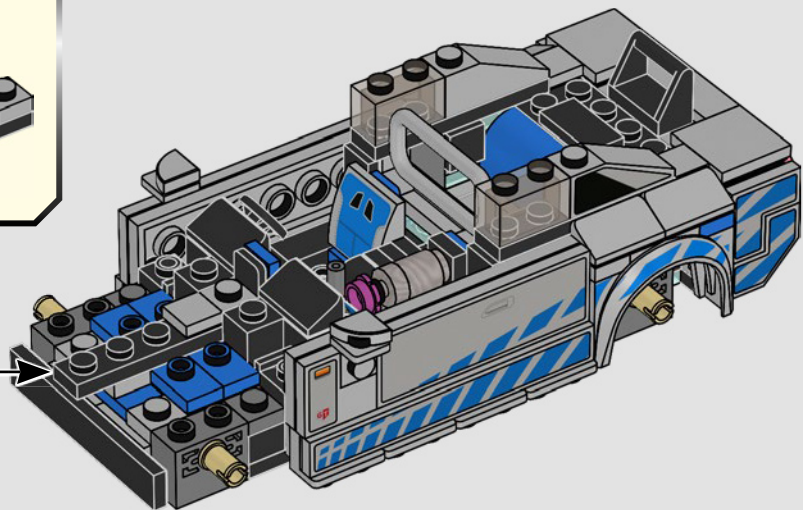
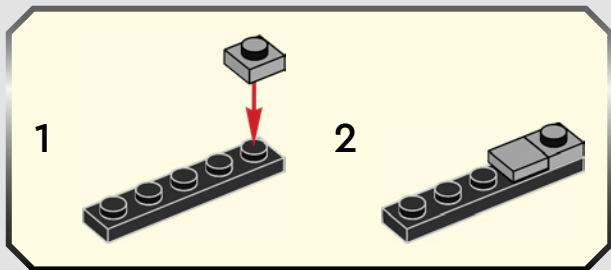
4x

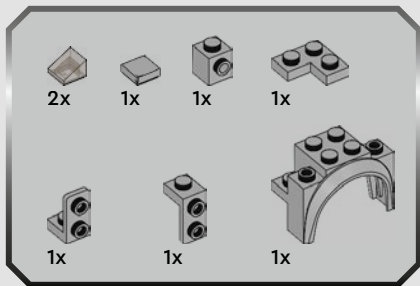
82





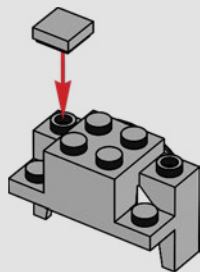
83



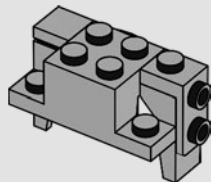


84

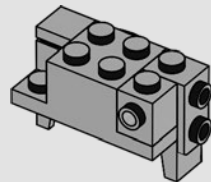
1



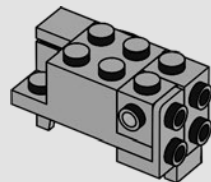
2



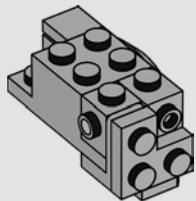
3



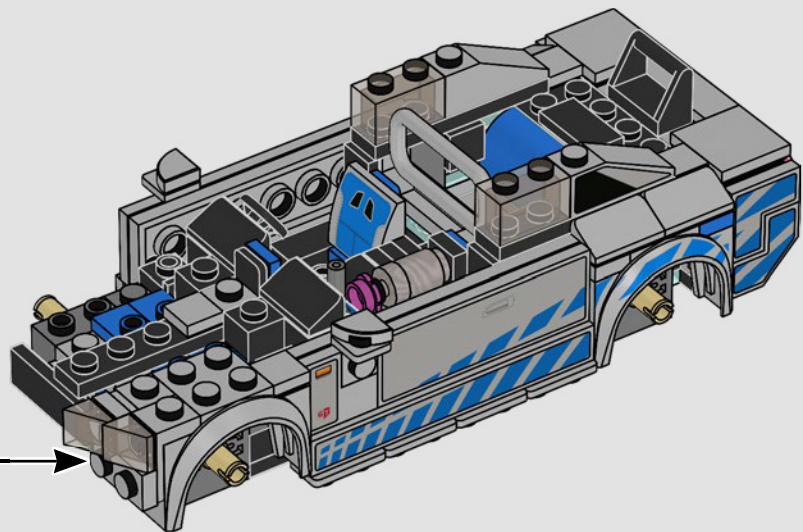
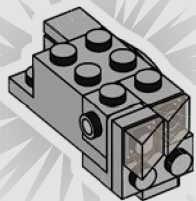
4

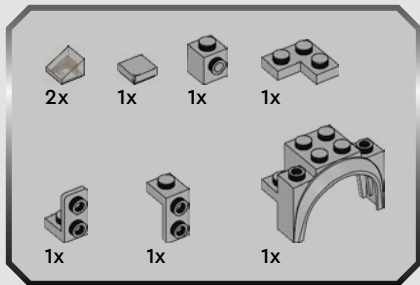


5



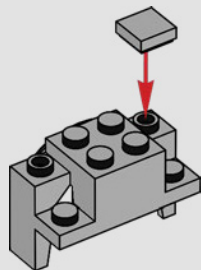
6



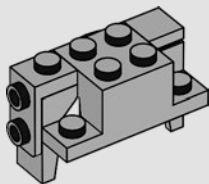


85

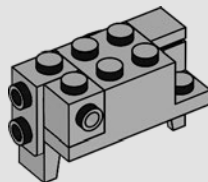
1



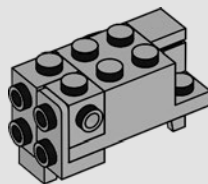
2



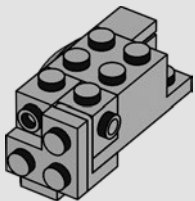
3



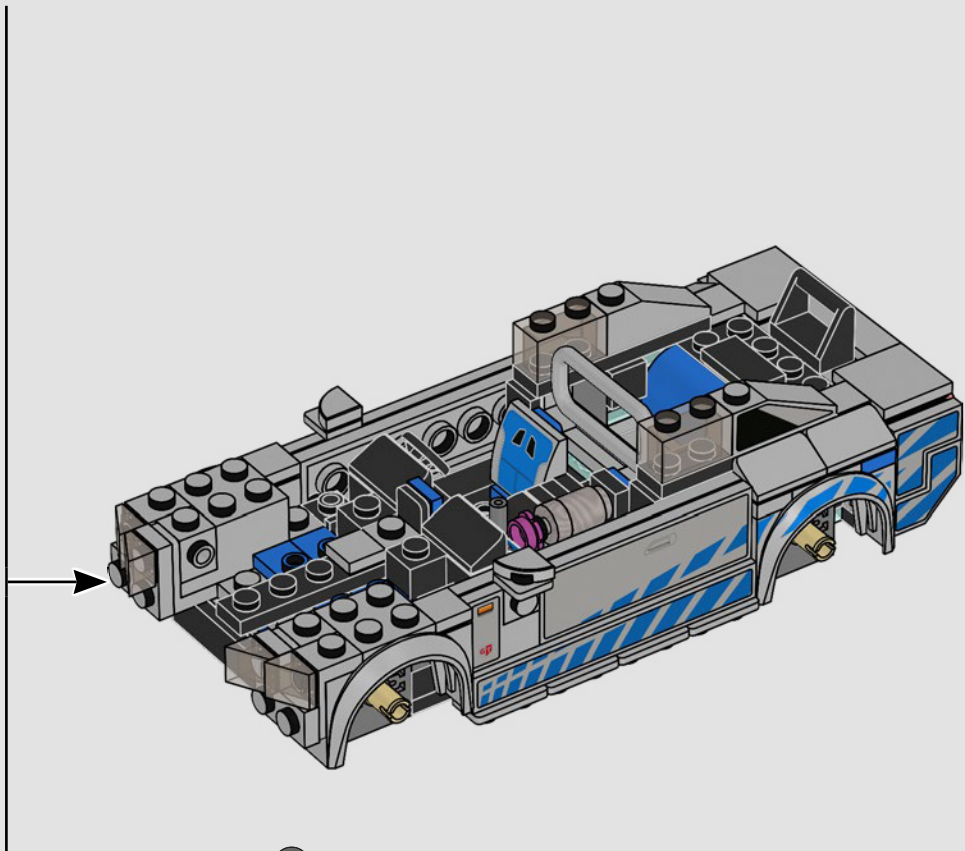
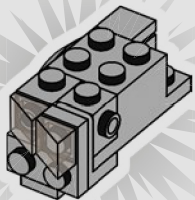
4

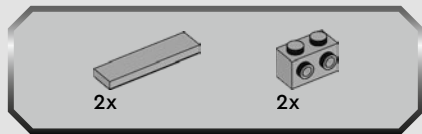


5

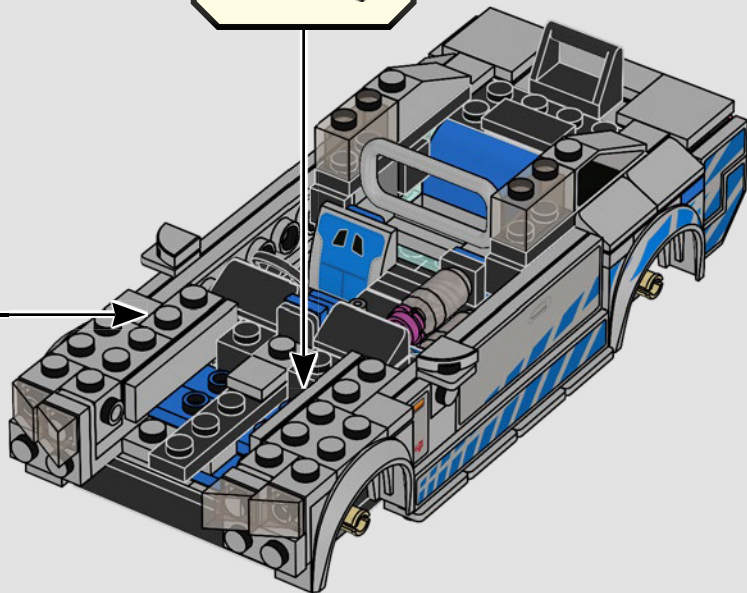
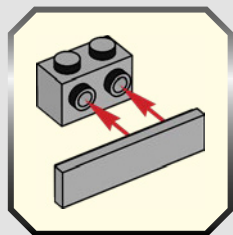
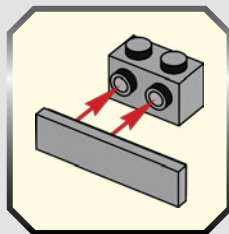


6



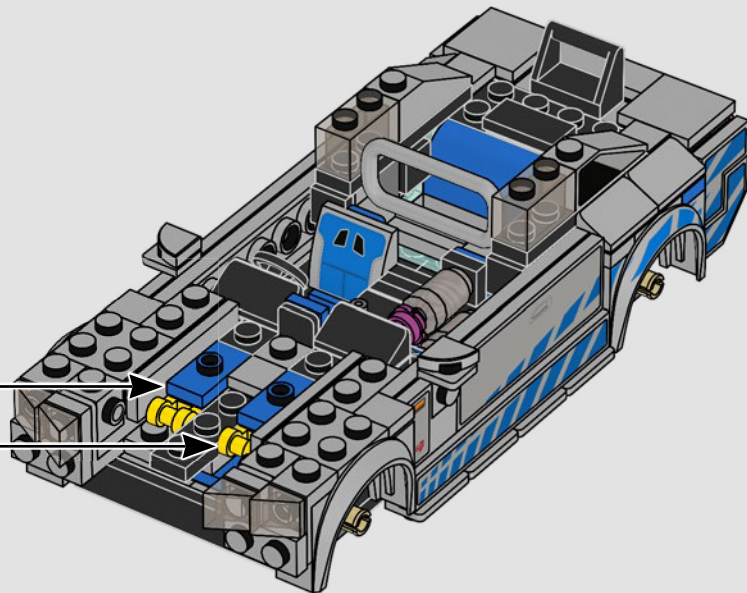
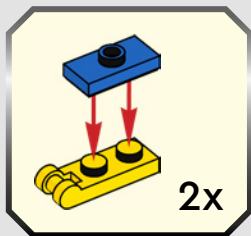


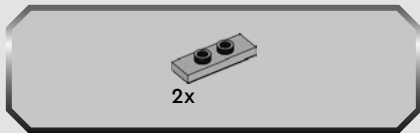
86



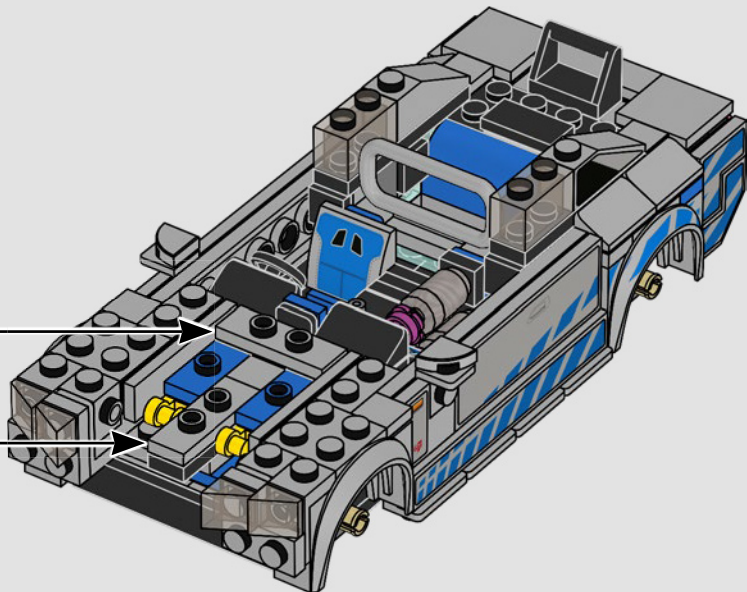
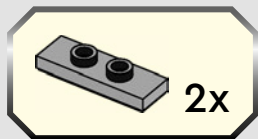


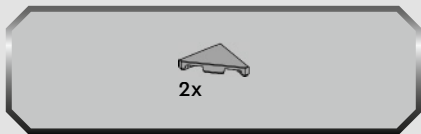
87



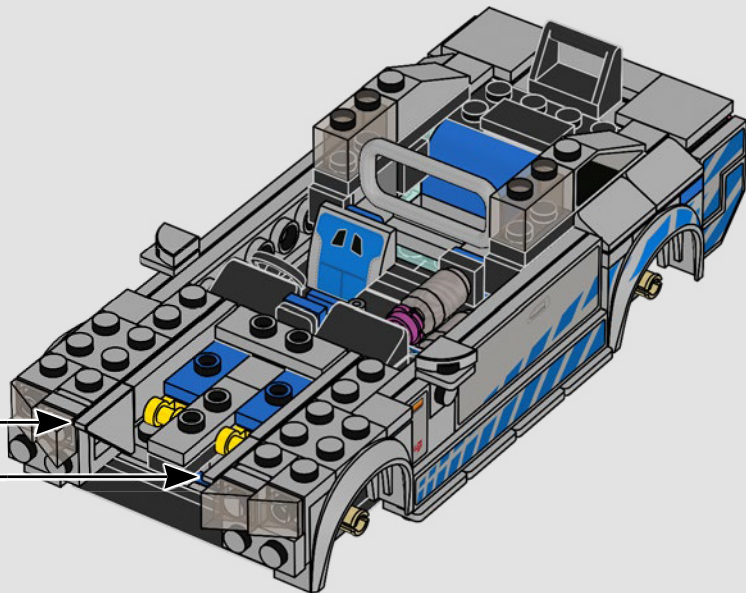


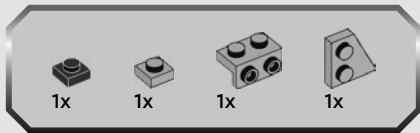
88



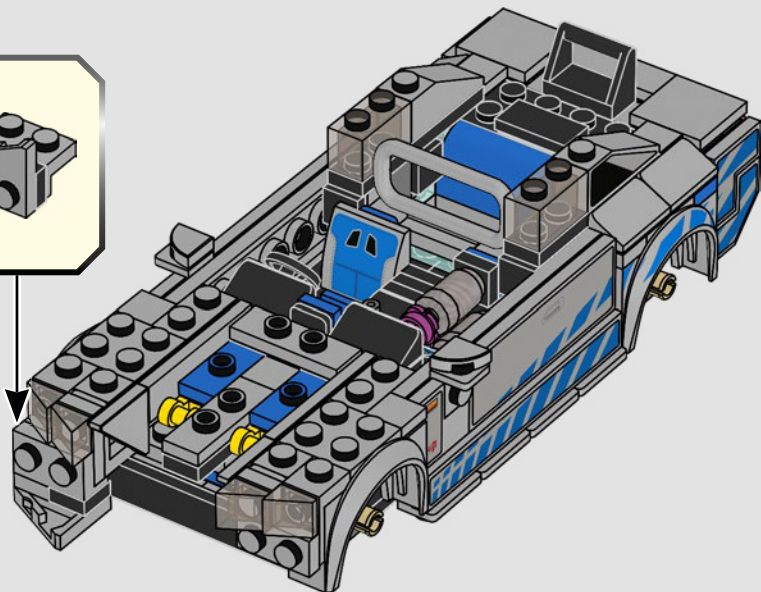
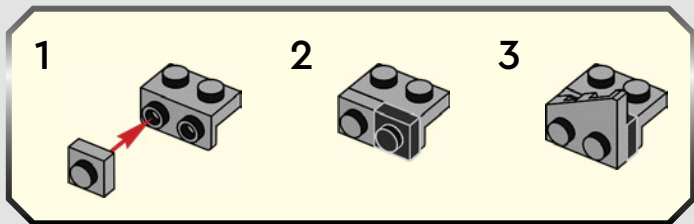


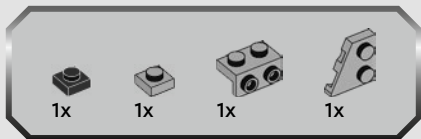
89



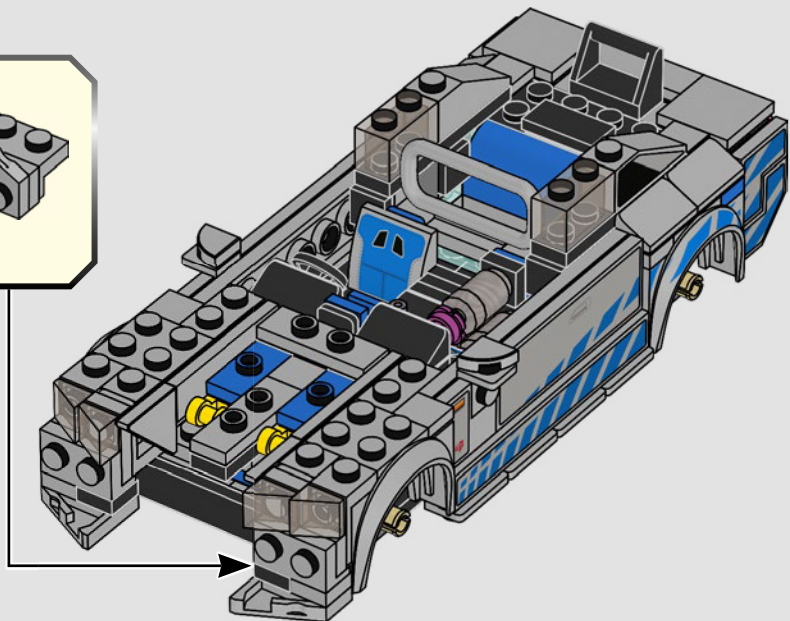
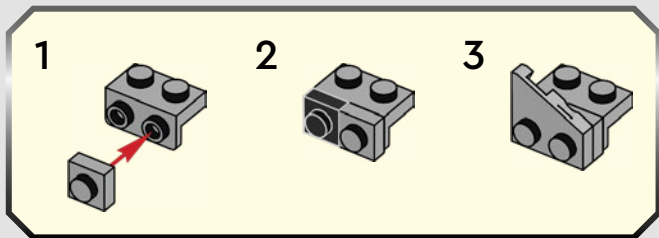


90





91





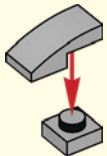
2x



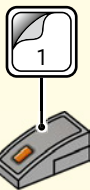
2x

92

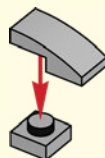
1



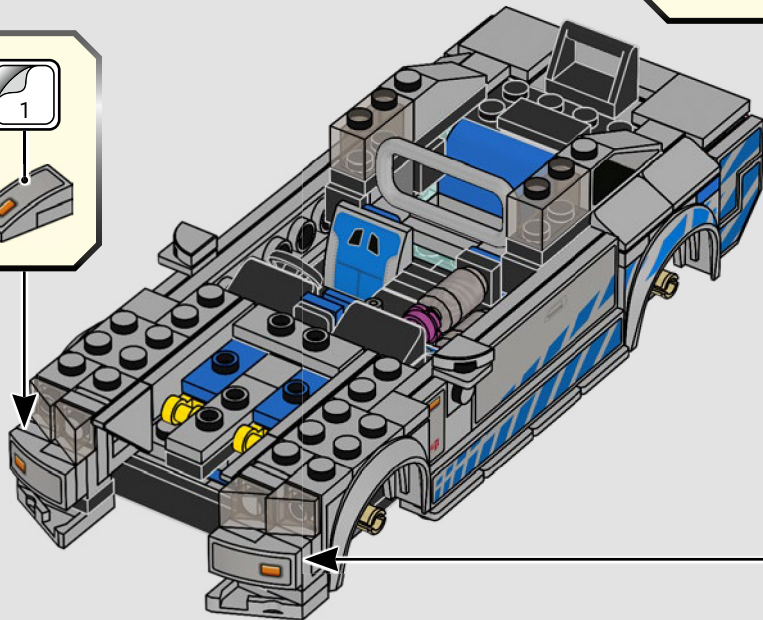
2

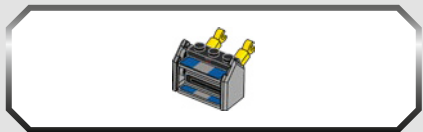


1

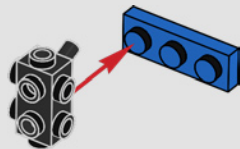


2



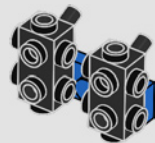


93



1x

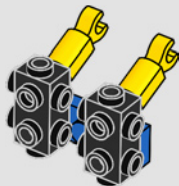
94





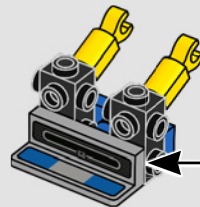
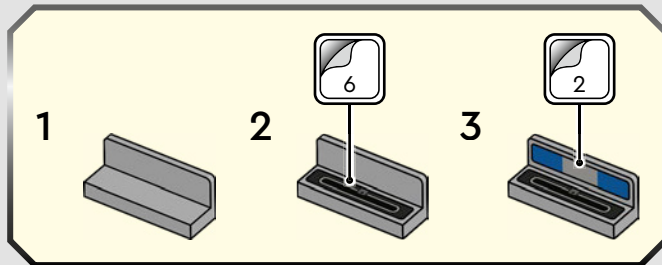
2x

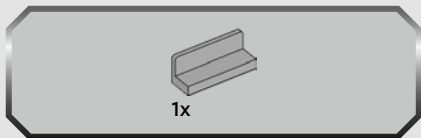
95



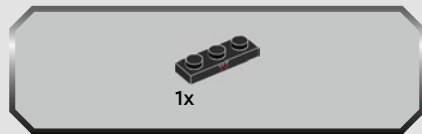
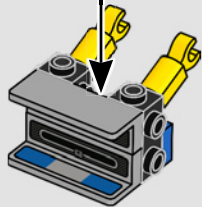
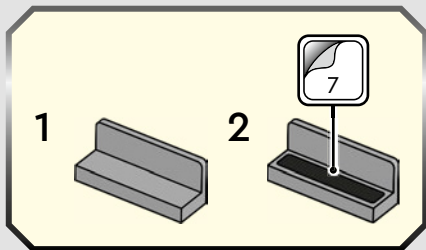
1x

96

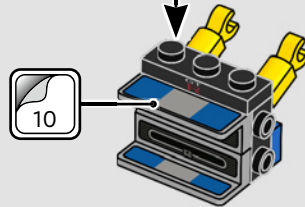


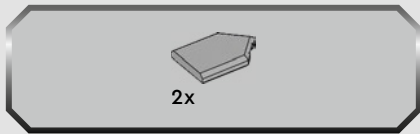


97

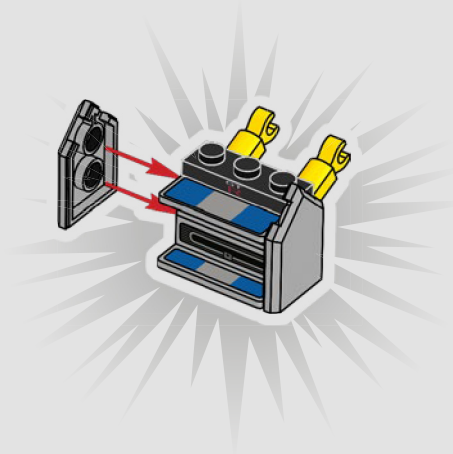


98

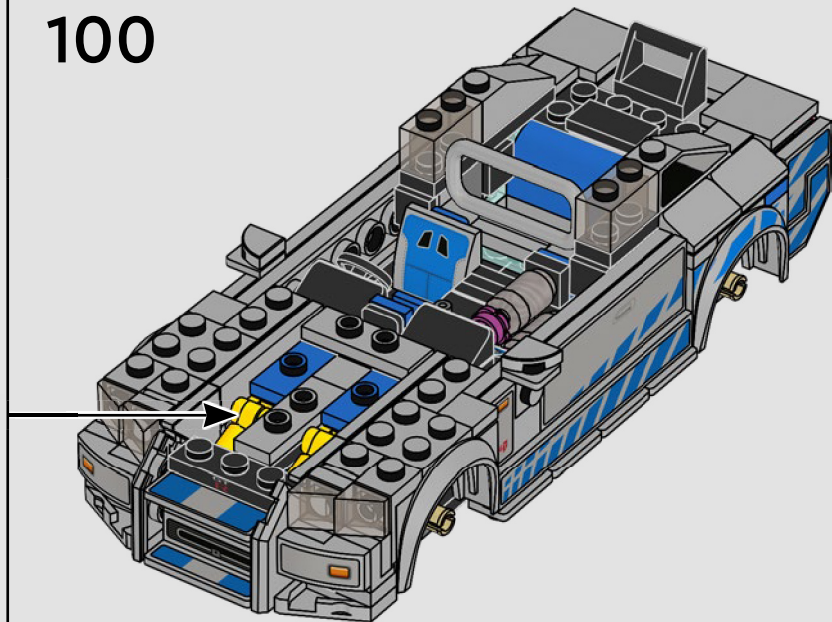


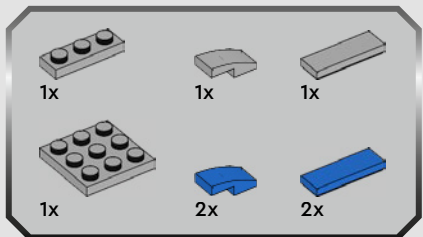


99



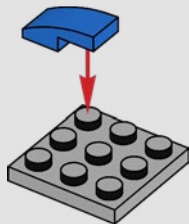
100



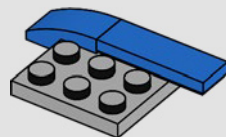


101

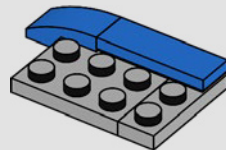
1



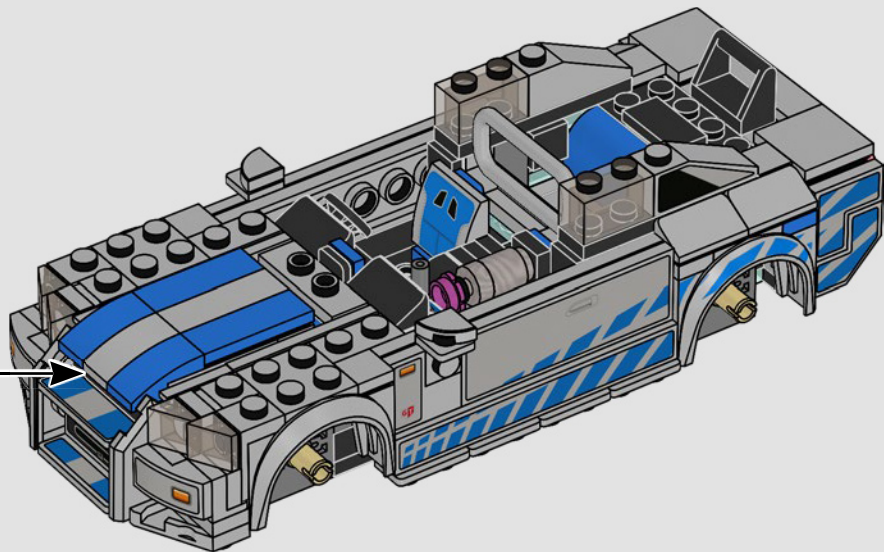
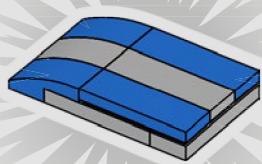
2

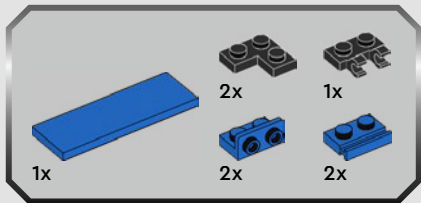


3

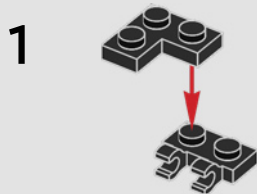


4

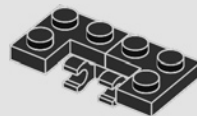




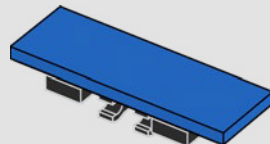
102



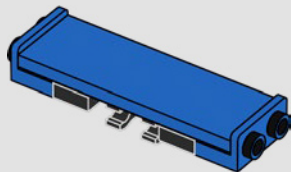
2



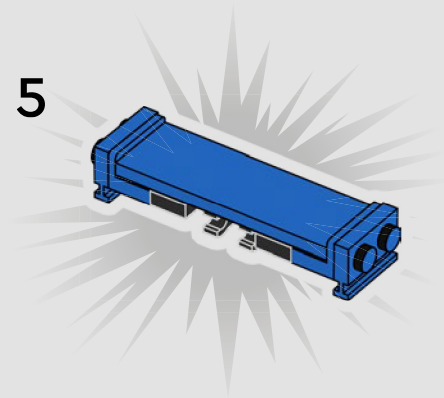
3

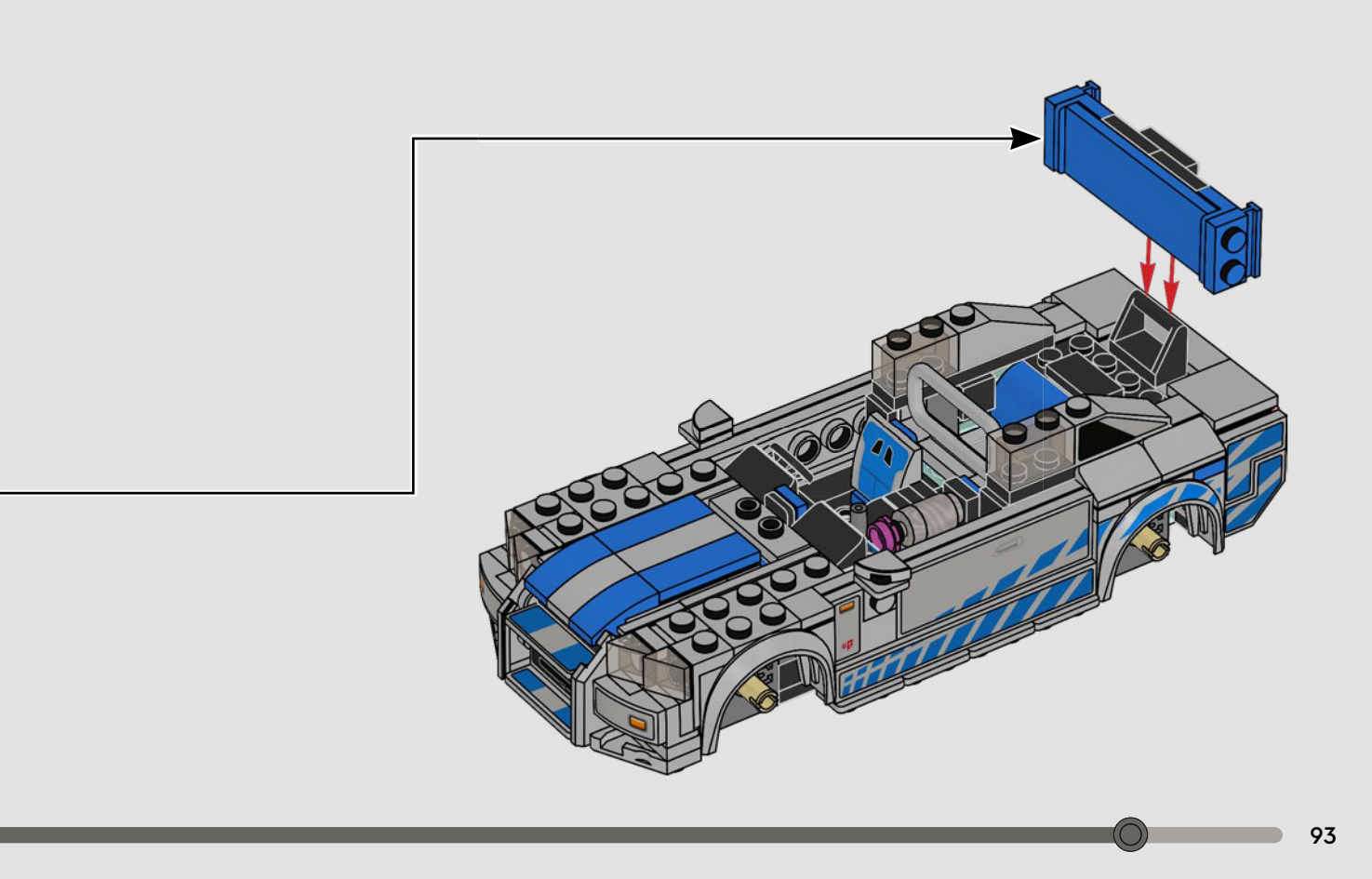


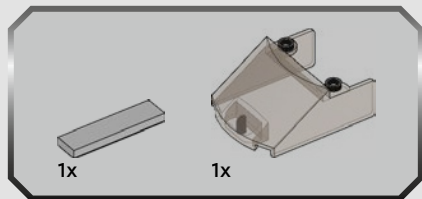
4



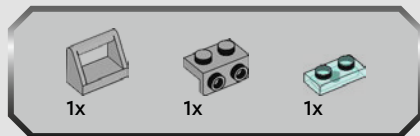
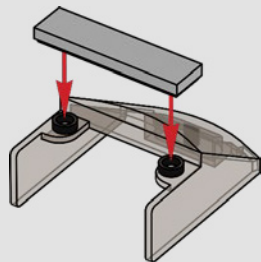
5



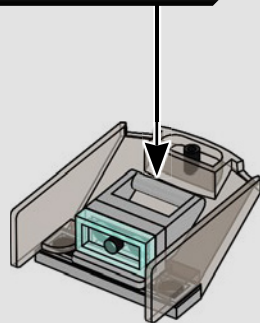
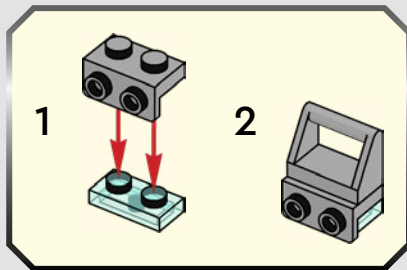




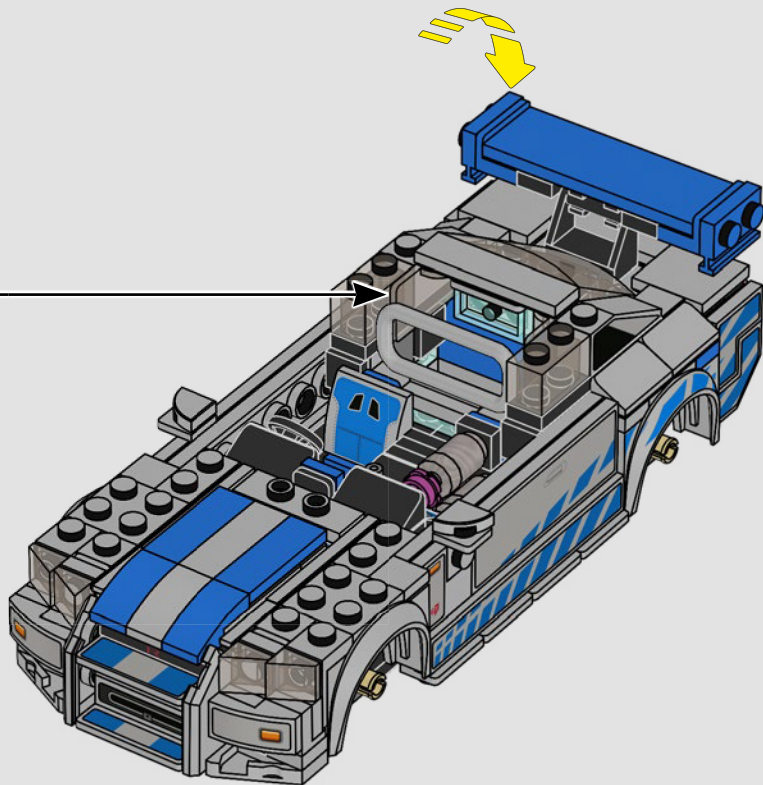
103

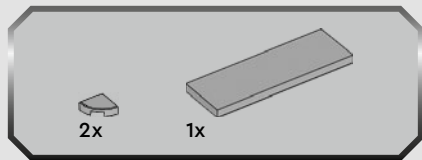


104

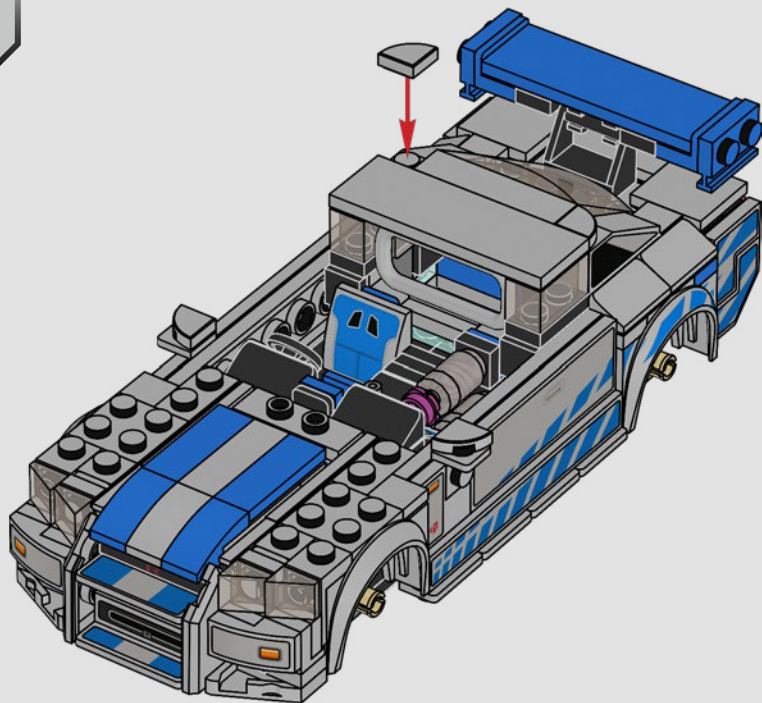


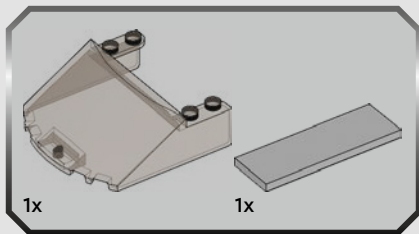
105



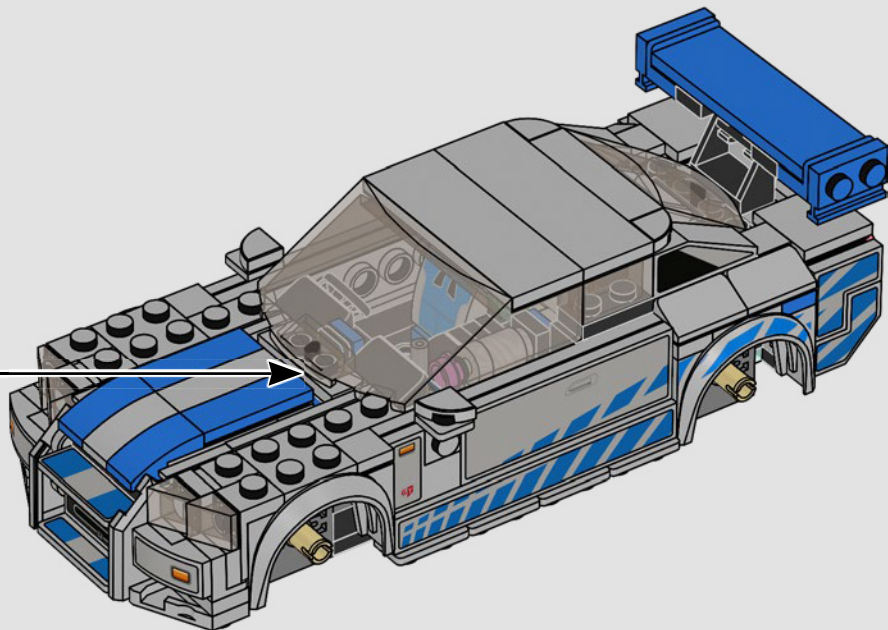
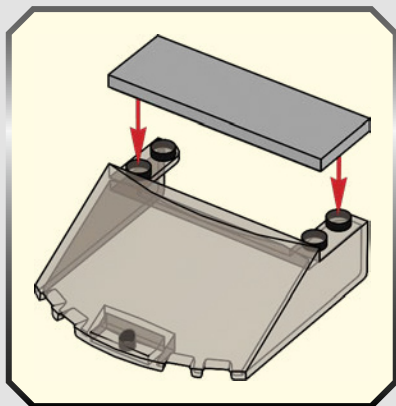


106



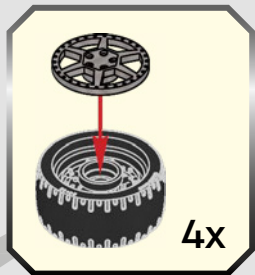
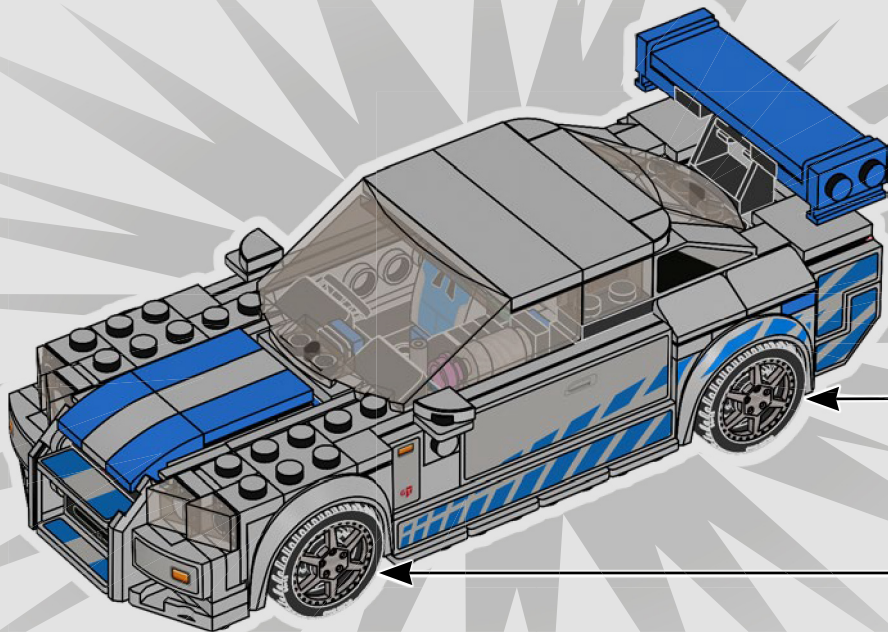


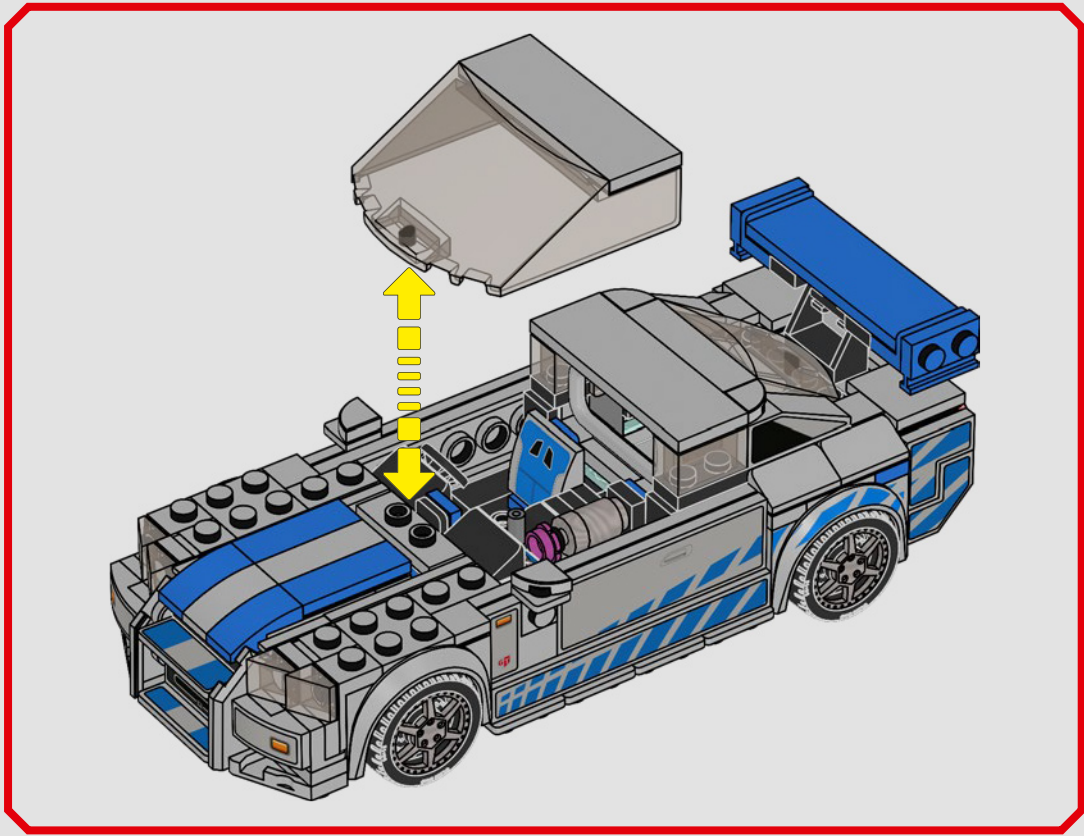
107

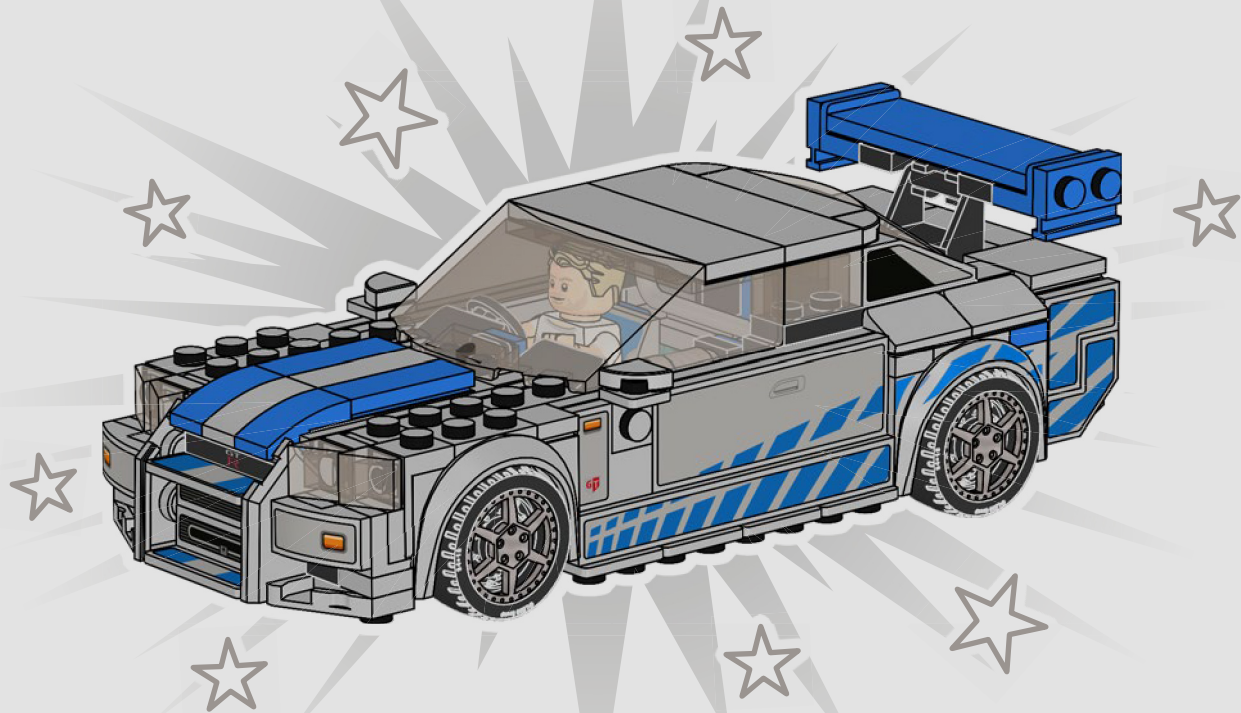




108









SPEED CHAMPIONS



76911



76912



76910



76906



76907



76908



76909

Produced under license of Ferrari S.p.A. The name FERRARI, the PRANCING HORSE device, all associated logos and distinctive designs are property of Ferrari S.p.A. The body designs of the Ferrari cars are protected as Ferrari S.p.A. property under design, trademark and trade dress regulations.

Dodge, HEMI and related logos, vehicle model names and trade dress are trademarks of FCA US LLC and used under license by The LEGO Group. ©2022 FCA US LLC.

The "Lamborghini" and "Lamborghini Bull and Shield" trademarks, copyrights, designs and models are used under license from Automobili Lamborghini S.p.A, Italy.

and are the intellectual property of Daimler AG. They are used by LEGO System A/S under license.

Manufactured under license from Mercedes-Benz Grand Prix Ltd. All logos featured on the livery and tyres are used with the permission

of their respective owners all of whom reserve their respective rights in the same.

Cinturato and are trademarks of the Pirelli Group used under license.

"Aston Martin" and the Aston Martin "wings" logo are trade marks of Aston Martin Lagonda Limited. These trade marks may not be used without its permission. All rights are reserved.

and related James Bond Trademarks Indicia © 1962-2022 Danjaq, LLC and Metro-Goldwyn-Mayer Studios, Inc. and related James Bond Trademarks are trademarks of Danjaq, LLC. All Rights Reserved.

© Universal City Studios LLC. All Rights Reserved.

Manufactured by LEGO System A/S under licence from Group Lotus Limited.

 3x
6209682

 1x
6151873

 4x
4666579

 2x
4583862

 2x
6307926

 13x
6092582

 2x
6055065

 1x
306923

 2x
6133721

 2x
6179330


102

 7x
362323

 2x
4587840

 1x
302023

 1x
6303712

 1x
6410028

 1x
400626

 4x
307026

 6x
6388352

 5x
302426

 2x
6273589

 2x
407026

 1x
6335317

 3x
4548180

 2x
306926

 1x
73081

 1x
243226

 1x
302326

 2x
6016172

 2x
6051527

 1x
6310268

 2x
6192346

 2x
235726

 2x
242026

 1x
6408451

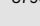
 4x
6336858

 2x
302126

 8x
6350415

 1x
663626

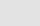
 3x
379526

 1x
6287679

 6x
6245263

 4x
6244909

 1x
6244884

 1x
60287674

 3x
6258607

 2x
6208450

 1x
6252042

 8x
6252043

 11x
6240222

 7x
4211415

 9x
4211399

 12x
4211476

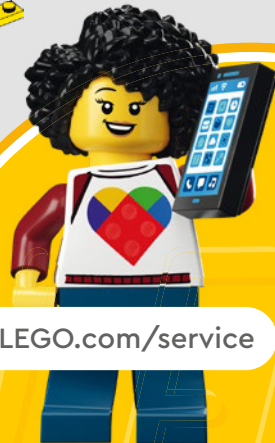
 4x
6176433

 2x
4558953

 2x
6413995



 [LEGO.com/service](https://www.LEGO.com/service)



YOU COULD
WIN



Scan this QR code or go to
LEGO.COM/PRODUCTFEEDBACK and give us
your short feedback about this LEGO® set for
a chance to win a cool LEGO prize.

Terms and Conditions apply*

DE: Du könntest GEWINNEN. Es gelten die Teilnahmebedingungen* **FR: Tu pourrais GAGNER.** Des conditions s'appliquent* **IT: Potresti VINCERE tu.** Termini e condizioni sono applicabili* **ES: Puedes GANAR.** Aplican términos y condiciones* **PT: Poderá GANHAR.** Aplicam-se termos e condições* **JA: プレゼント付き! 利用規約が適用されます*** **ZH: 轻松获奖. 条款和条件适用*** **KO: 상품의 주인이 되어보세요. 소정의 약관이 적용됩니다*** **RU: Вы можете ВЫИГРАТЬ.** Действуют положения и условия* **PL: Szansa na WYGRANĄ.** Obowiązują warunki korzystania* **CS: Máte šanci VYHRÁT.** Platí všeobecné smluvní podmínky* **SK: Máte šancu VYHRAŤ.** Platia všeobecné zmluvné podmienky* **HU: TE IS NYERHETSZ.** Felhasználási feltételek érvényesek* **RO: Ai putea CÂȘTIGA.** Se aplică termenii și condiții* **BG: Можете да СПЕЧЕЛИТЕ.** Има определени правила и условия* **LV: Tu vari LAIMĒT.** Ir spēkā noteikumi un nosacījumi.* **ET: Sul on võimalus VÕITA.** Kehtivad tingimused* **LT: Jūs galite LAIMĖTI.** Taikomos sąlygos*

*[LEGO.com/productfeedback/terms](https://www.lego.com/productfeedback/terms)

LEGO and the LEGO logo are trademarks of the LEGO Group. ©2023 The LEGO Group.
Nissan Motor Co., Ltd. trademarks, designs, copyrights and/or other intellectual property rights used under license.
© Universal City Studios LLC. All Rights Reserved.