



# STAR WARS™

75386



Q LEGO® Builder



### **Get excited about our new packaging!**

We're switching from plastic to paper-based packaging. That's why you might find a mix of paper and plastic in our boxes!

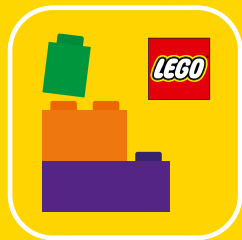
### **Nos nouveaux emballages vous emballeront !**

Nous passons des emballages en plastique aux emballages à base de papier. C'est pourquoi vous pourriez trouver un mélange de papier et de plastique dans nos boîtes !

### **¡Te presentamos nuestros nuevos empaques!**

Estamos sustituyendo las bolsas de plástico por bolsas con base de papel. ¡Por eso, puedes encontrar una mezcla de papel y de plástico en nuestras cajas!

**[LEGO.com/sustainable-packaging](https://www.lego.com/sustainable-packaging)**



Q LEGO® Builder

# BUILDER



Apple and the Apple logo are trademarks of Apple Inc., registered in the U.S. and other countries and regions. App Store is a service mark of Apple Inc. Google Play and the Google Play logo are trademarks of Google LLC. Tencent and the Tencent logo are trademarks of Tencent Inc.

Q [LEGO.com/devicecheck](https://www.lego.com/devicecheck)

**EN** Ask parents' permission before going online | **DE** Eltern um Erlaubnis bitten, bevor du online gehst | **FR** Demande l'autorisation d'un parent avant d'aller en ligne | **IT** Chiedi il permesso ai tuoi genitori prima di andare online | **ES** Pídeles permiso a tus papás antes de conectarte a Internet | **PT** Pede autorização aos pais antes de acederes online | **ZH** 上网前应先征得父母的同意 | **PL** Poproś rodziców o zgodę, zanim wejdziesz do Internetu | **CS** Než půjdeš na internet, požádej rodiče o svolení | **SK** Skôr než pôjdeš na internet, vypýtaj si povolenie od rodičov | **HU** Kérj szülői engedélyt, mielőtt online csatlakoznál! | **RO** Cere permisiunea părinților înainte de a te conecta online | **BG** Поискайте разрешение от родител, преди да влезете онлайн | **LV** Pirms došanās tiešsaistē palūdz atļauju vecākiem | **ET** Enne Interneti kasutamist küsi vanematelt luba | **LT** Prieš prisijungdami prie interneto, atsiklauskite tėvų



# STAR WARS™

Join the 25<sup>th</sup> Anniversary  
at [LEGO.com/SW-25](http://LEGO.com/SW-25)

Participez au 25<sup>e</sup> anniversaire  
sur [LEGO.com/SW-25](http://LEGO.com/SW-25)

Participa en el 25 aniversario  
en [LEGO.com/SW-25](http://LEGO.com/SW-25)



**25**  
ANS DE  
LEGO® STAR WARS™

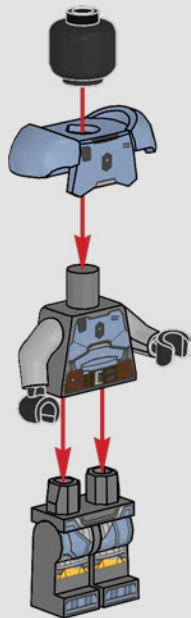
**25**  
AÑOS DE  
LEGO® STAR WARS™





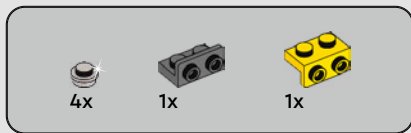


1

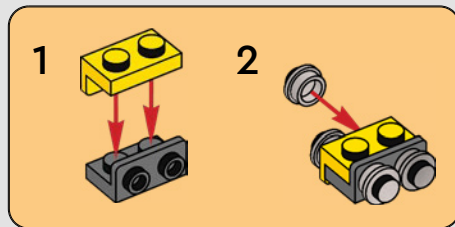


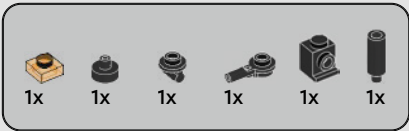
2



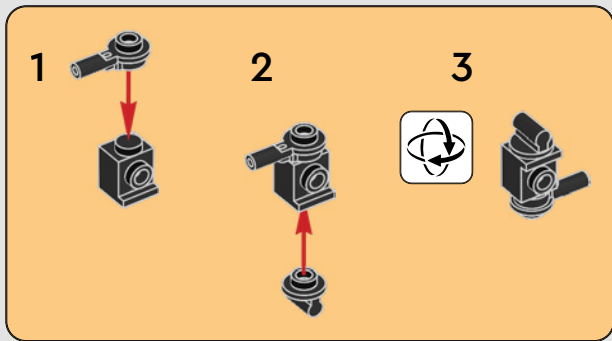


3





4



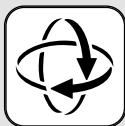
1



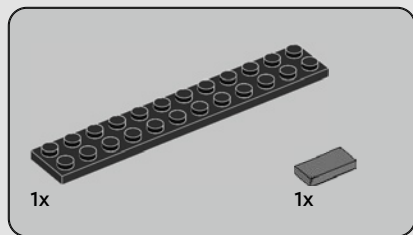
2



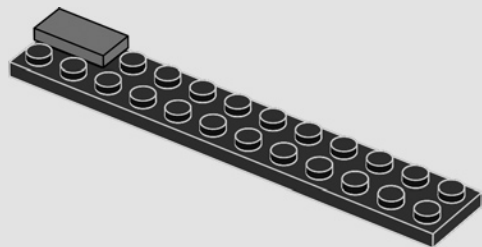
3



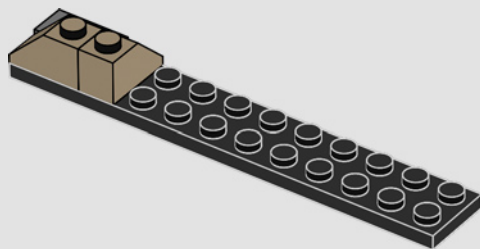


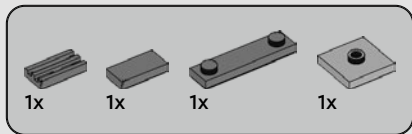


1

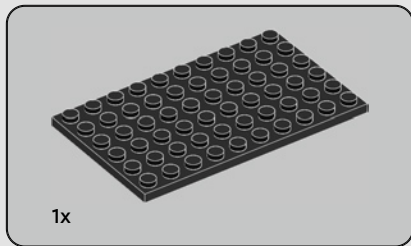
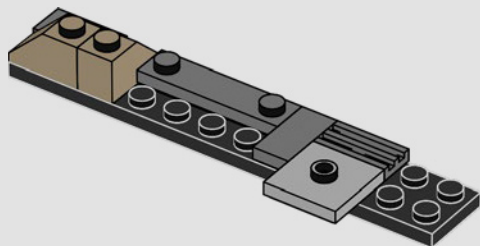


2

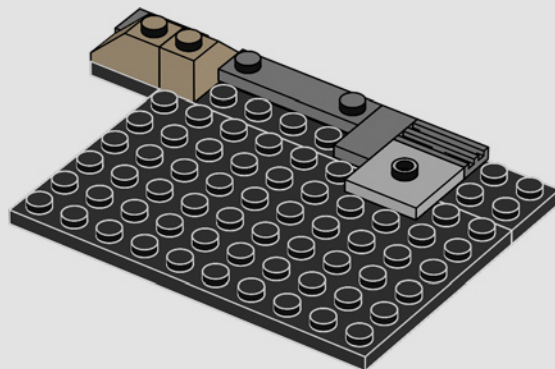




3



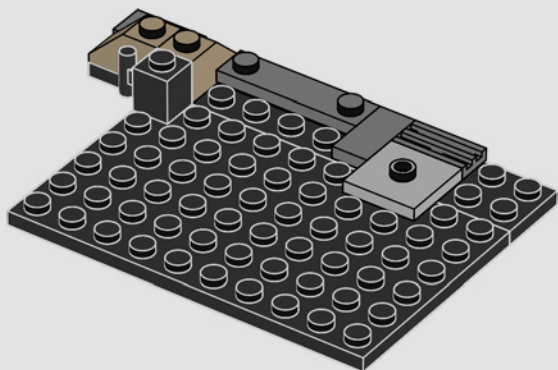
4





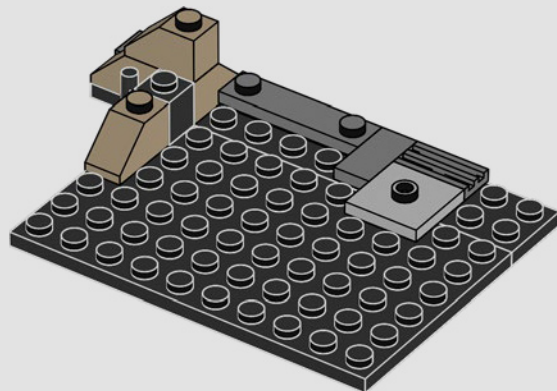
1x

5



2x

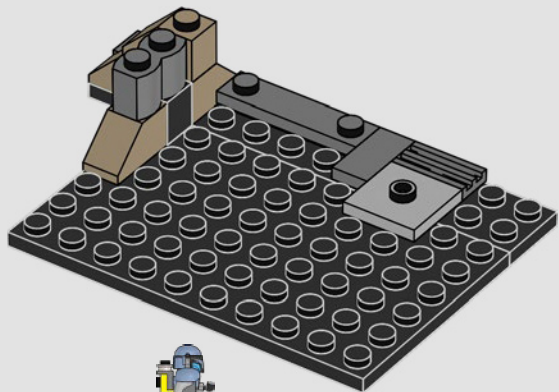
6





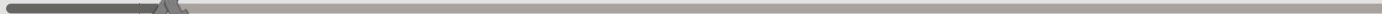
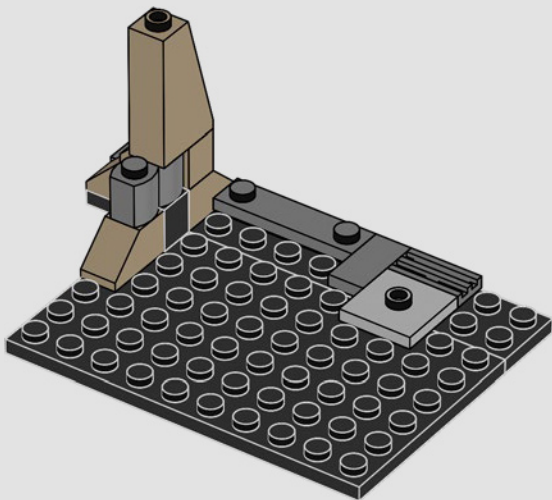
1x

7

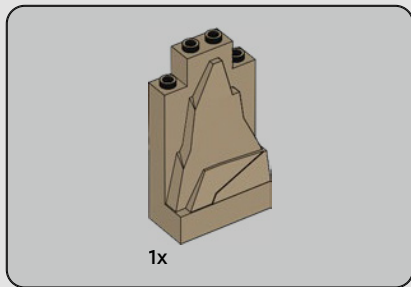


1x

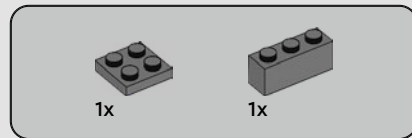
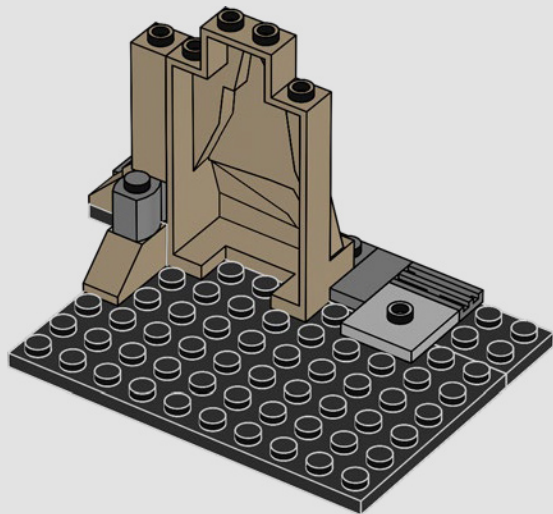
8



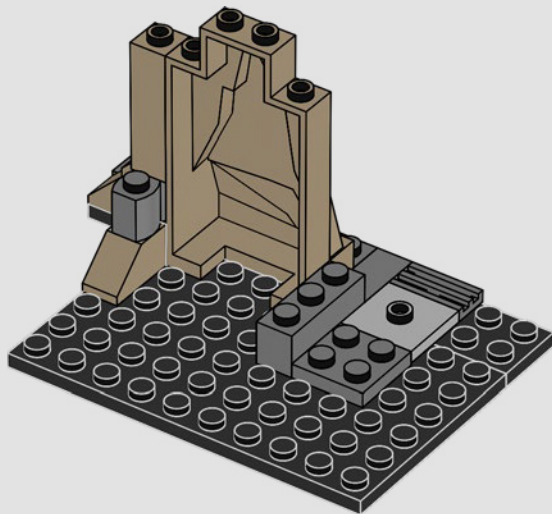


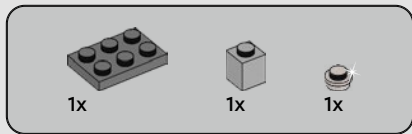


9

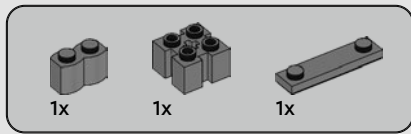
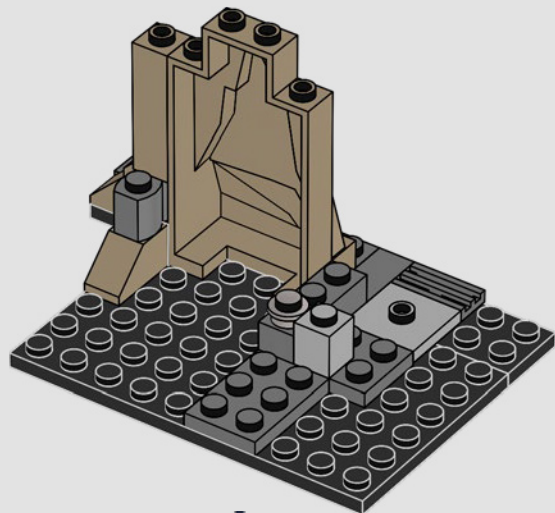


10

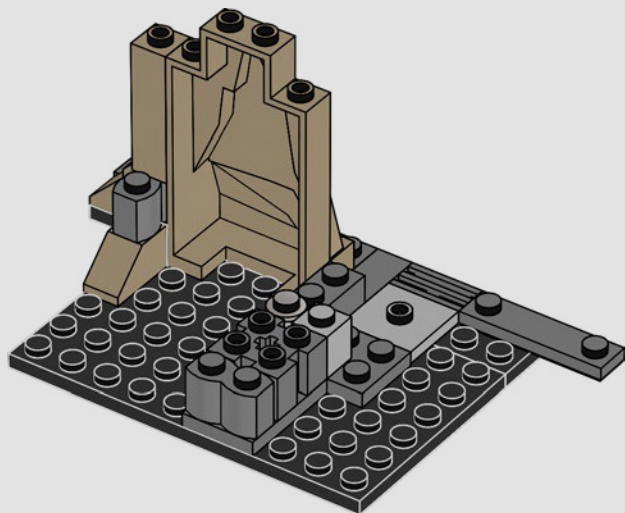


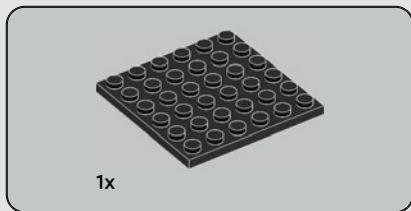


11

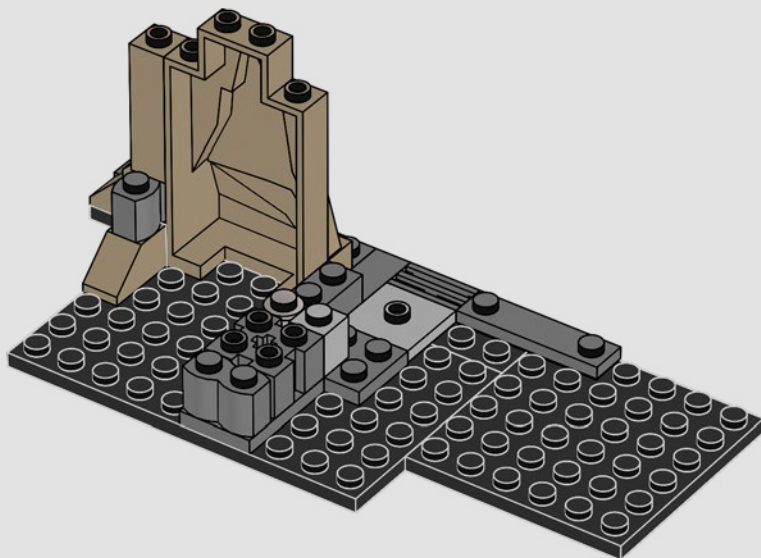


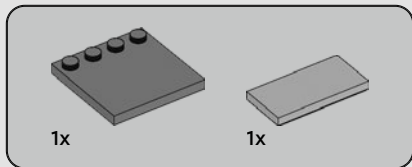
12



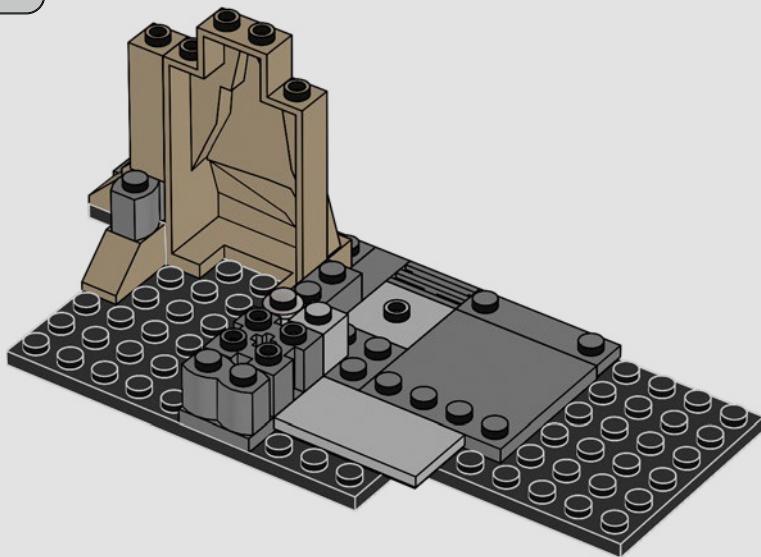


13

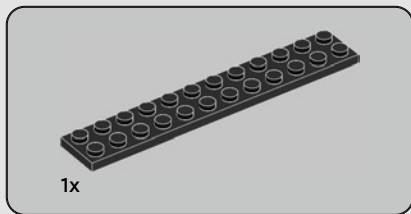




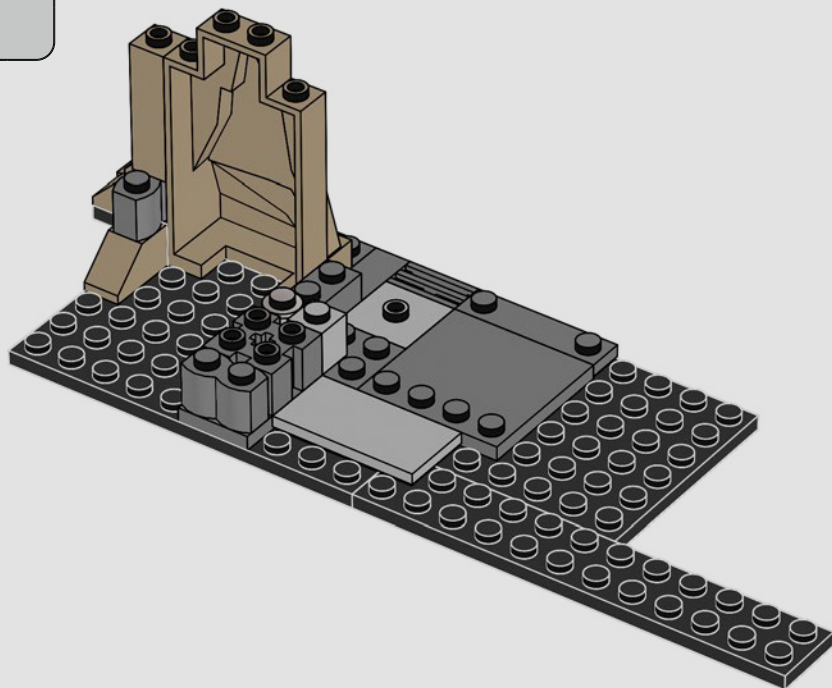
14

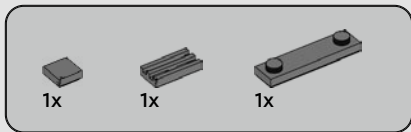




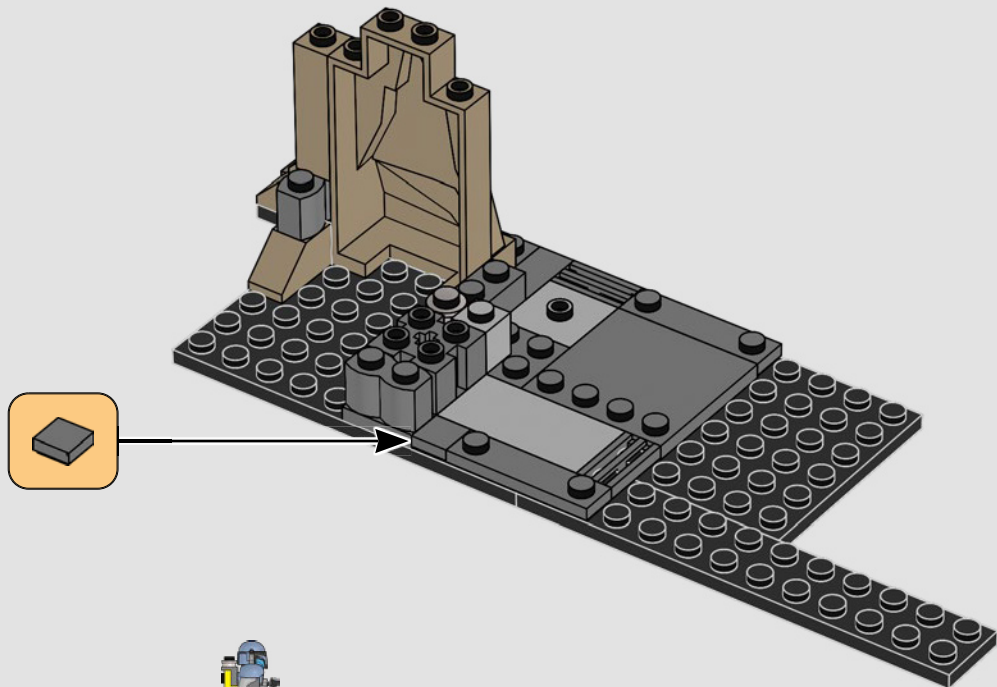


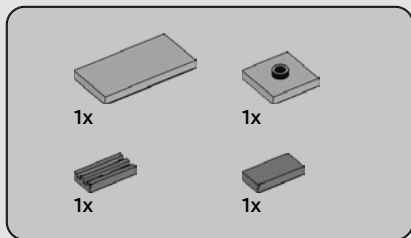
15



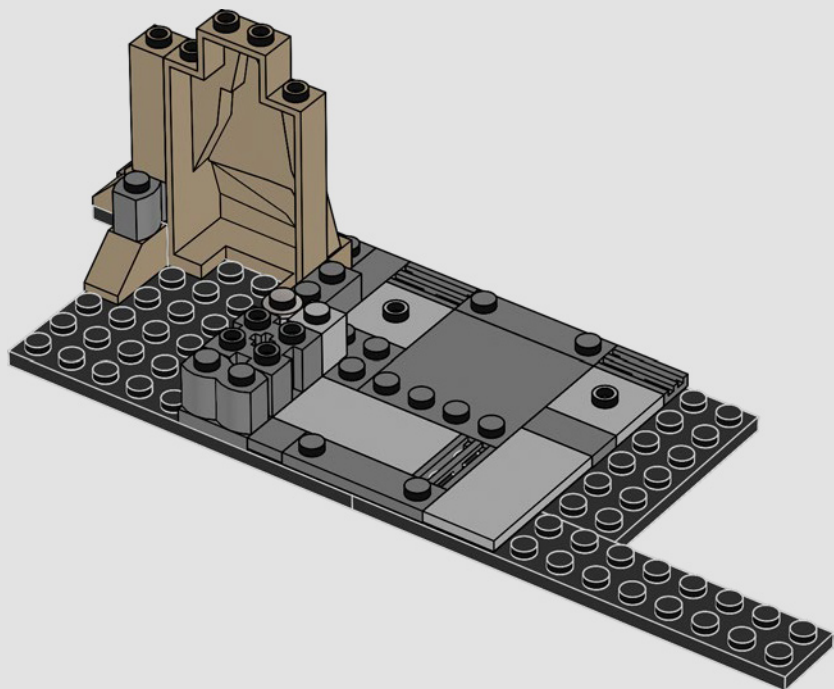


16





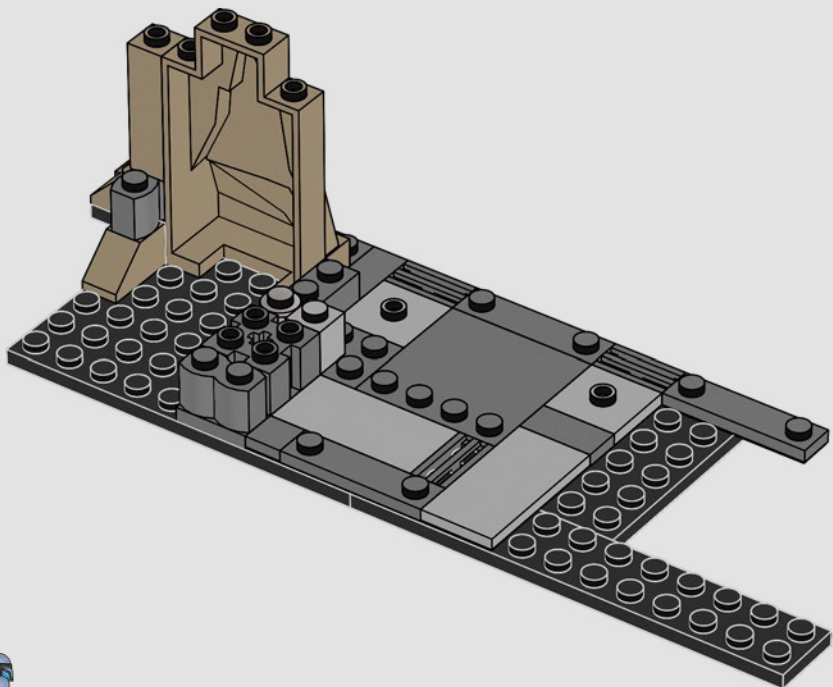
17





1x

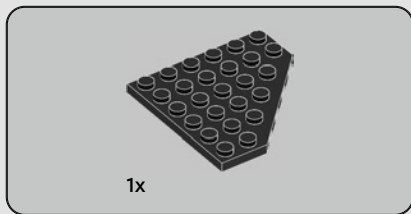
18



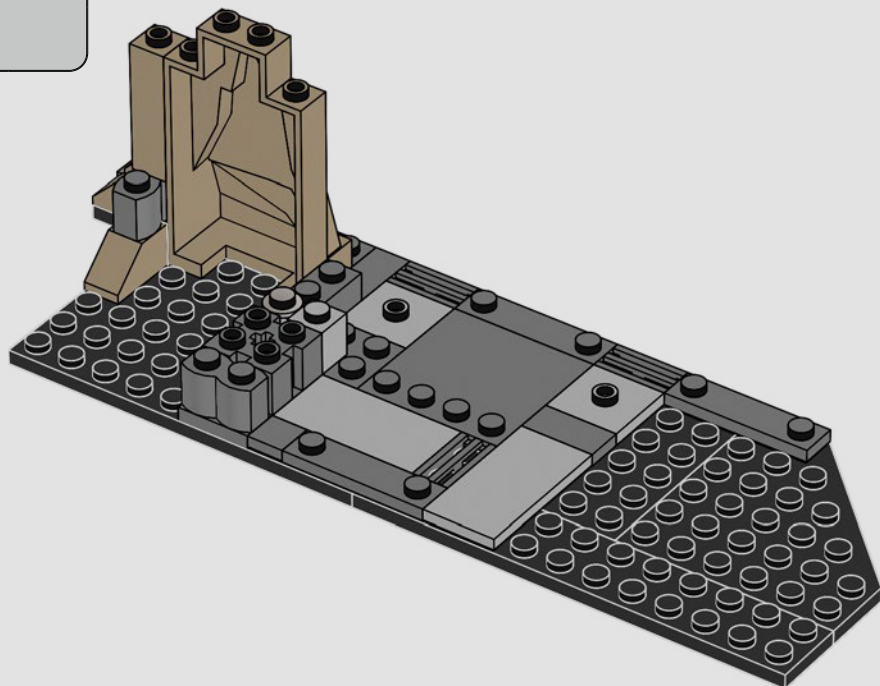
20

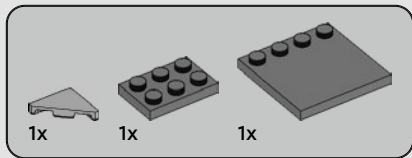




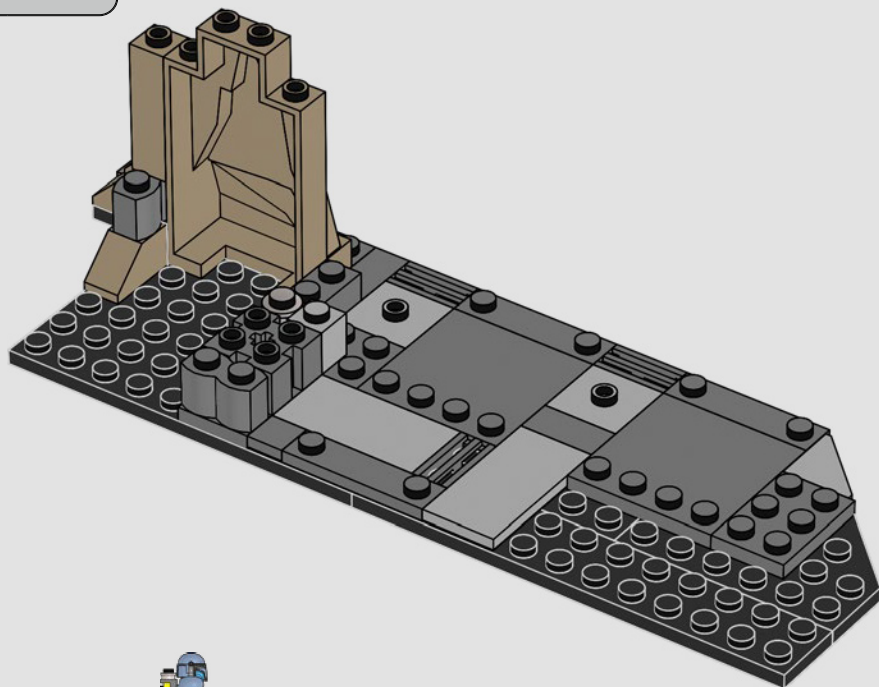


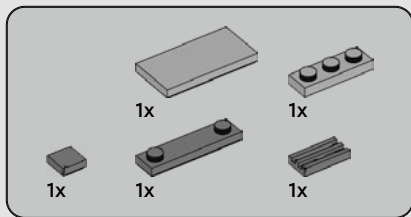
19



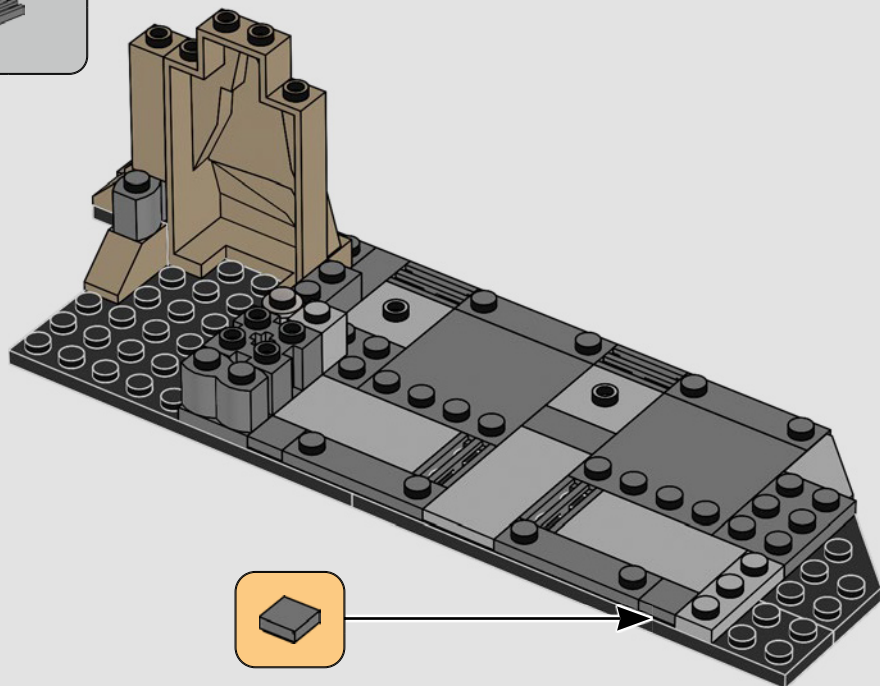


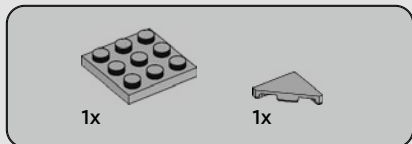
20



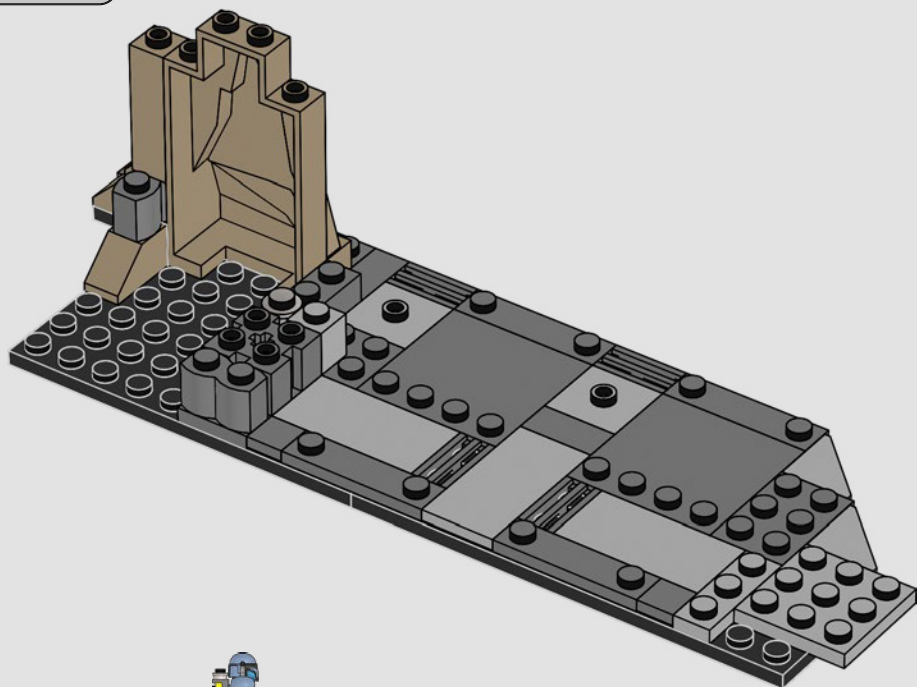


21





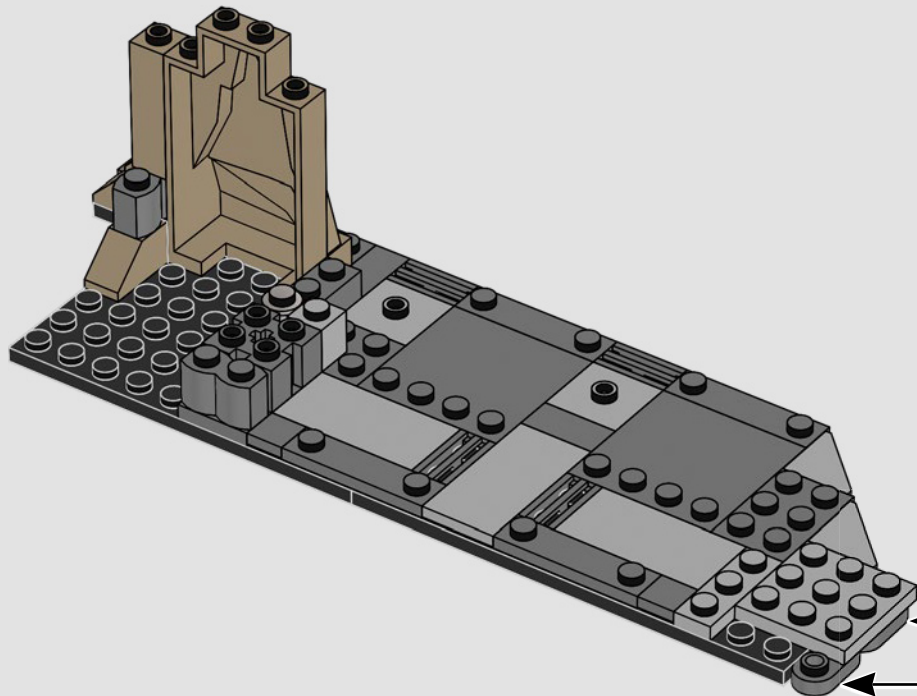
22





2x

23



2x

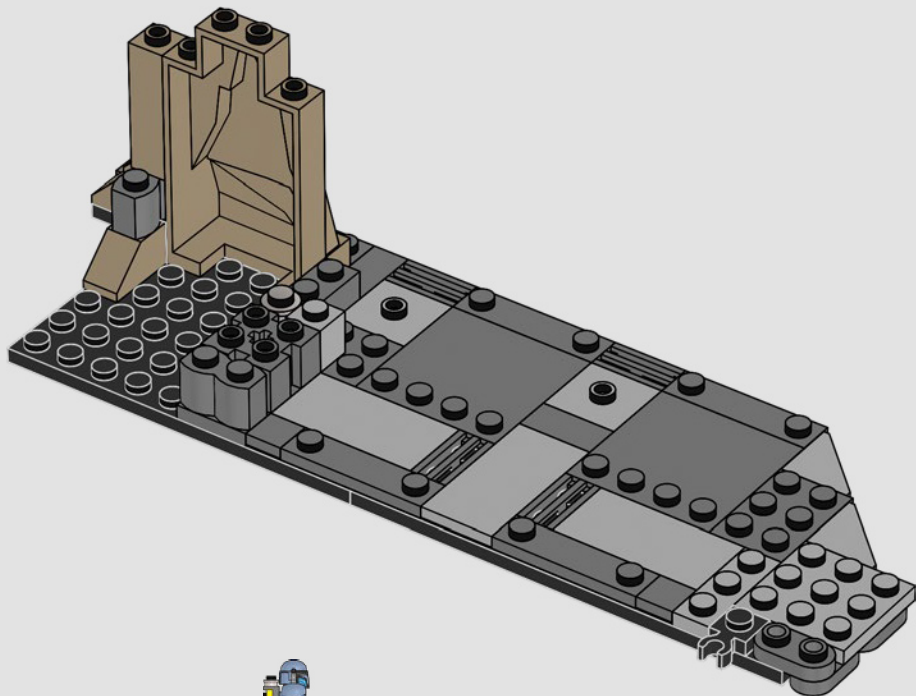


1x



1x

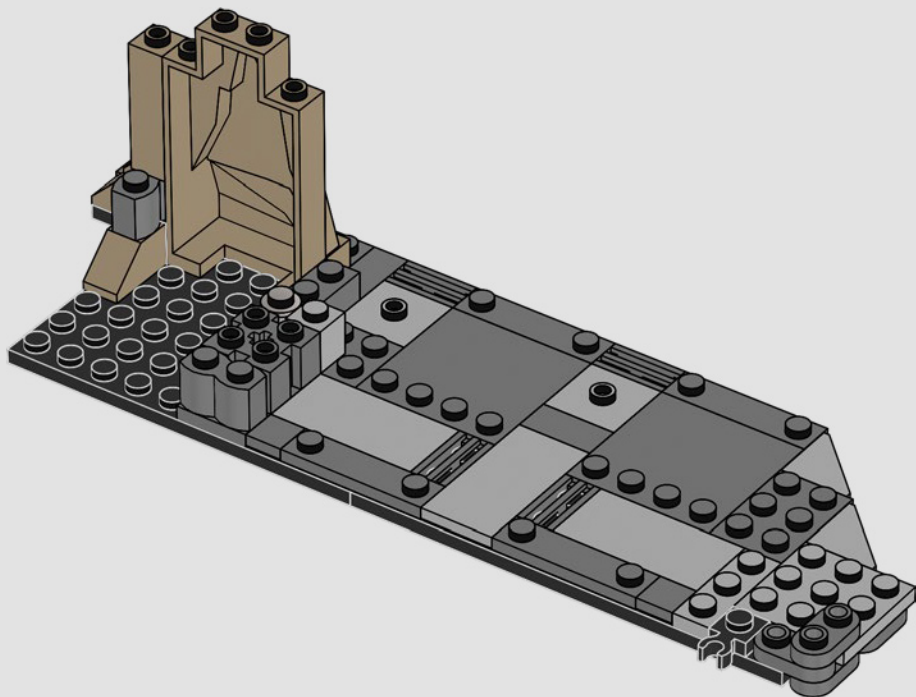
# 24



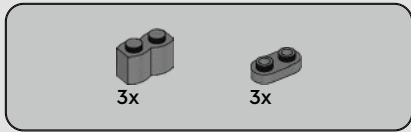


1x

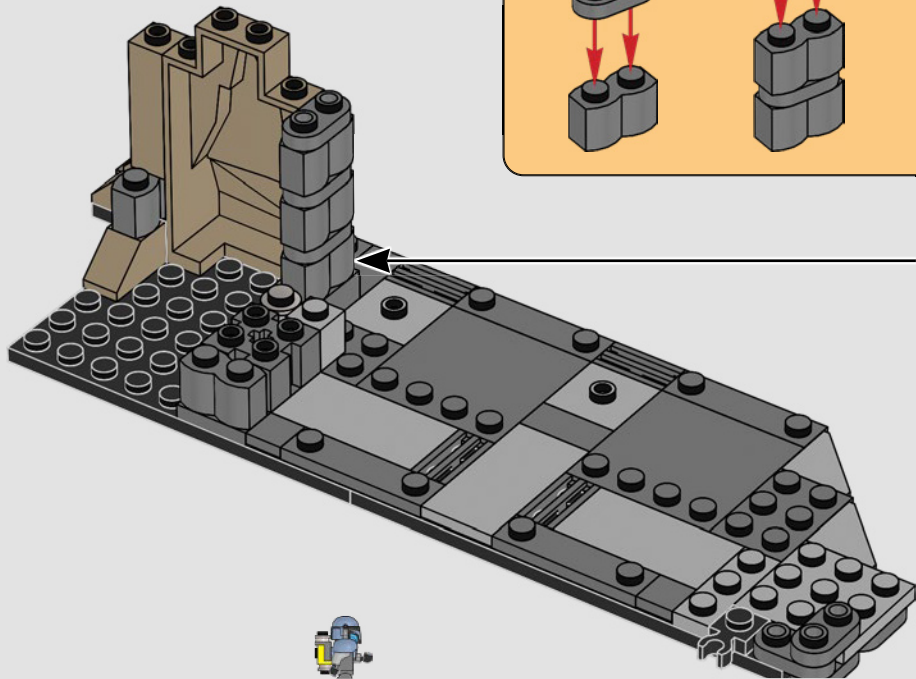
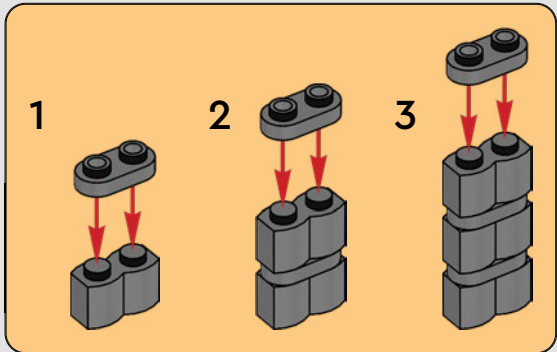
25







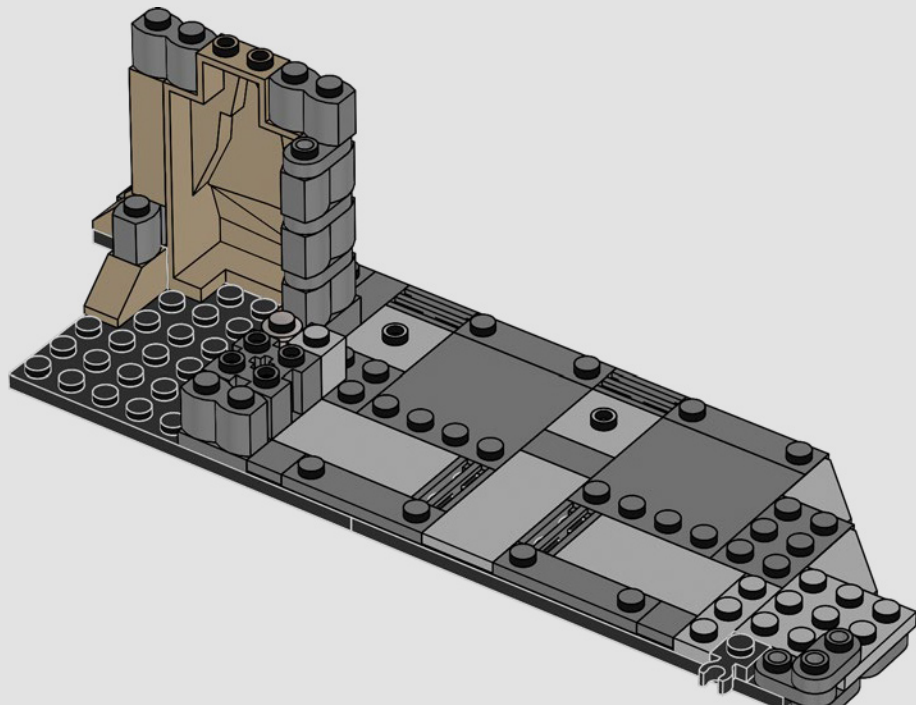
26





2x

27



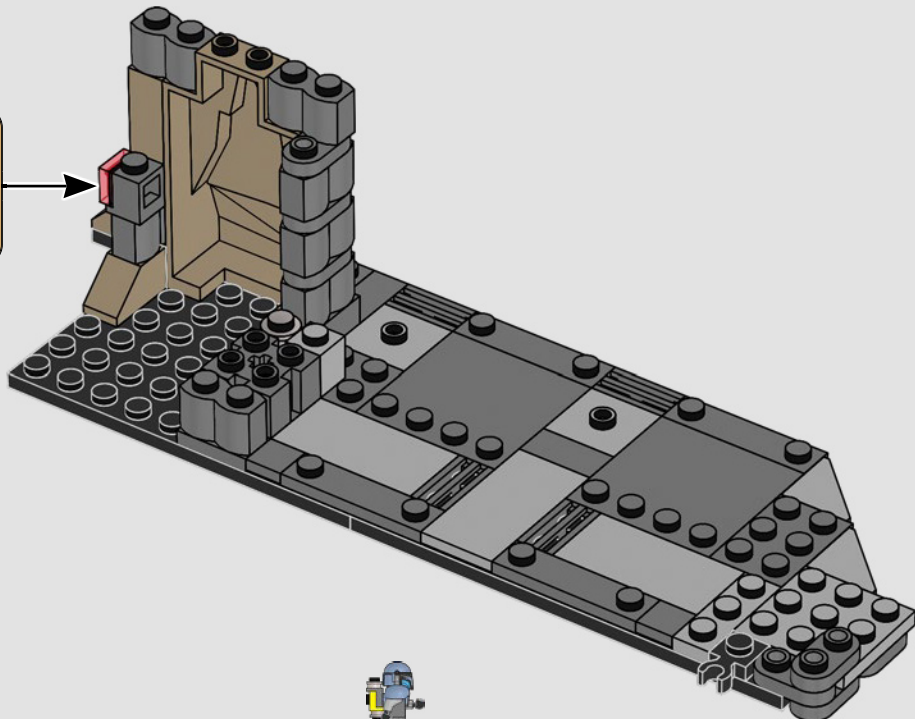
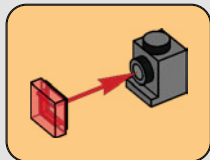


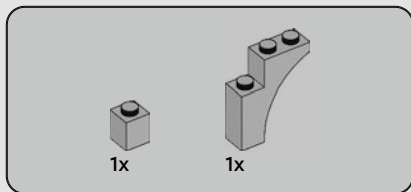
1x



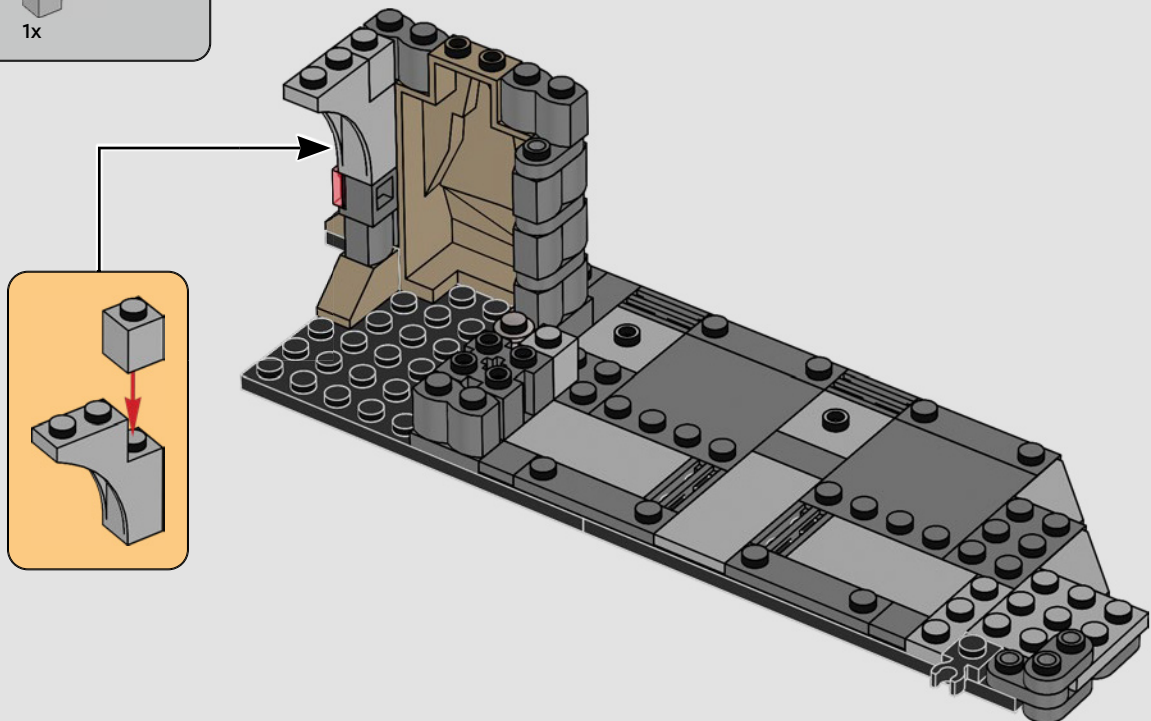
1x

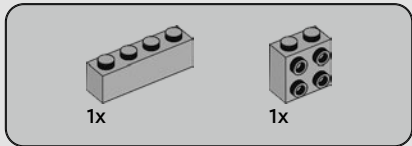
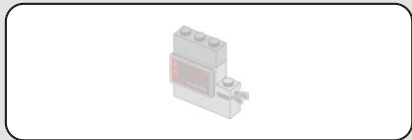
# 28



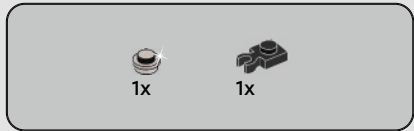
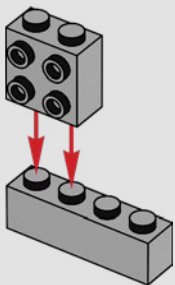


29

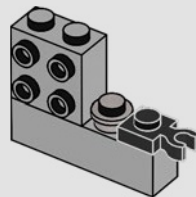




30



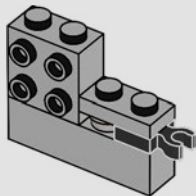
31





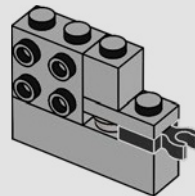
1x

32



1x

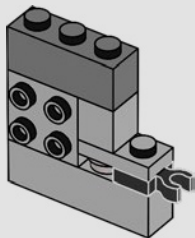
33





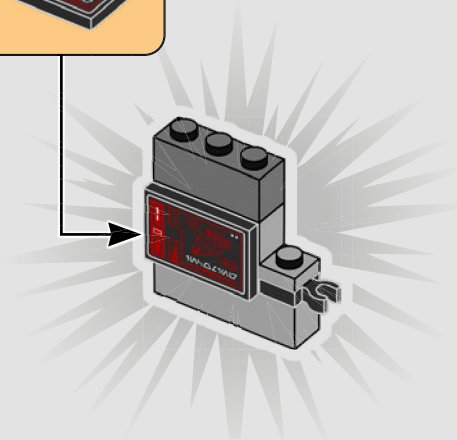
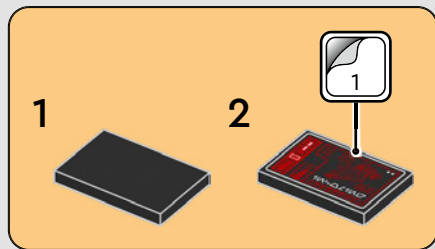
1x

# 34



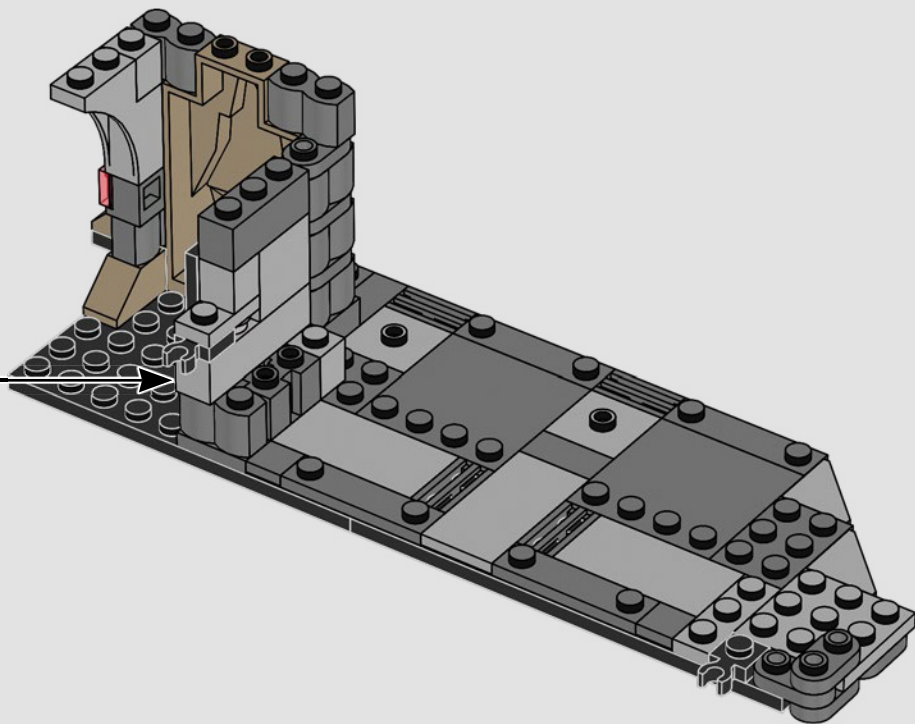
1x

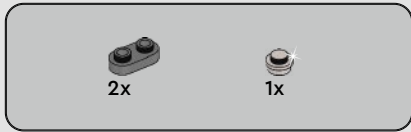
# 35



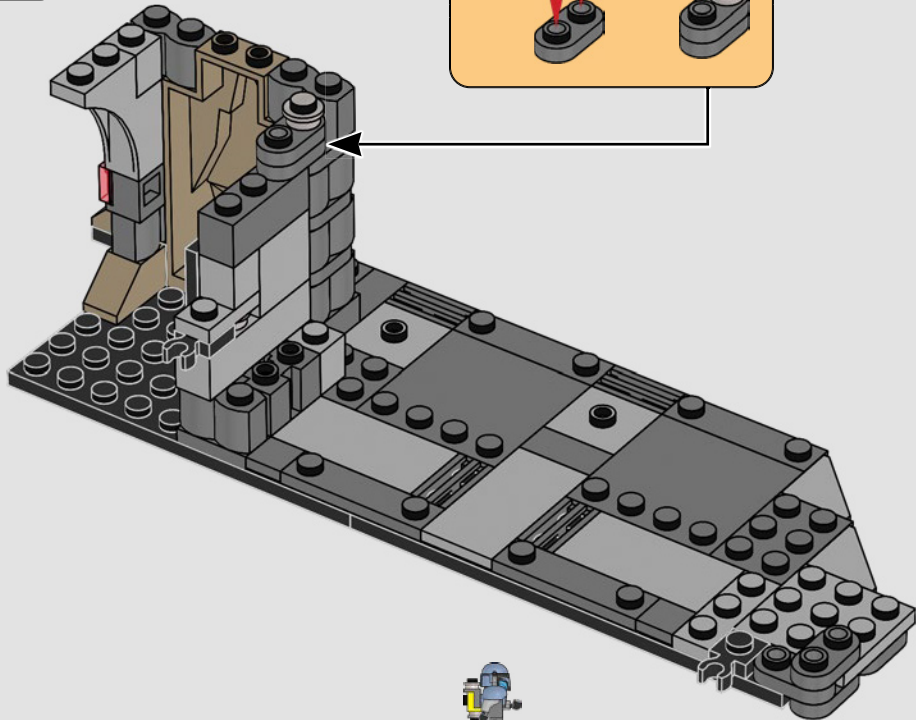
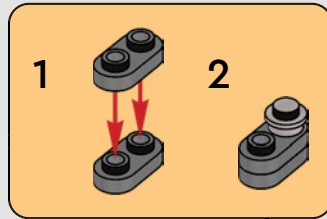


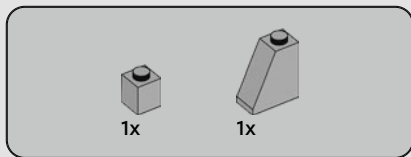
36



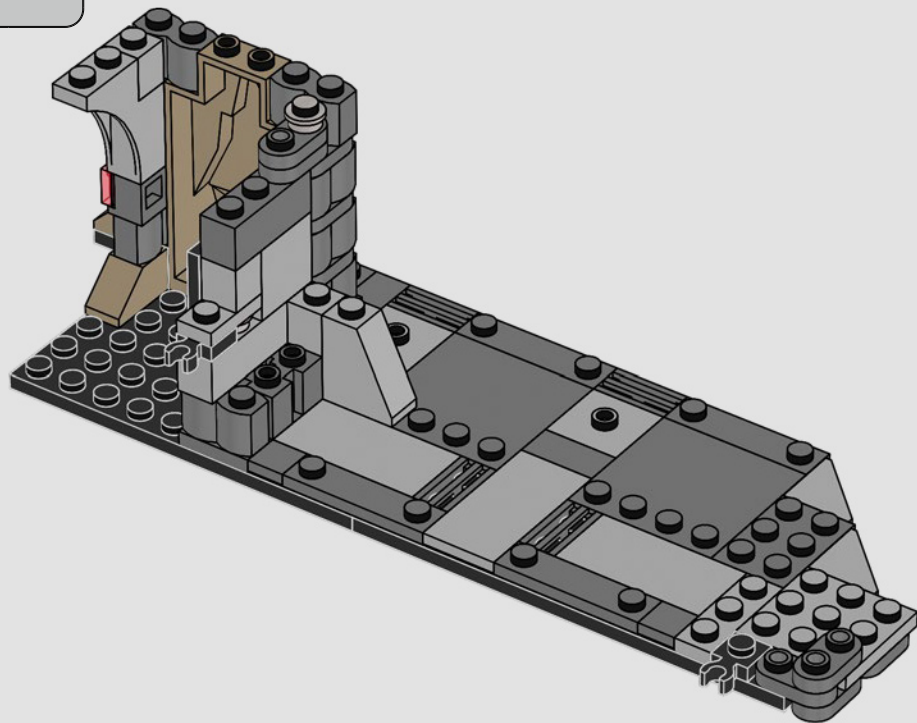


37





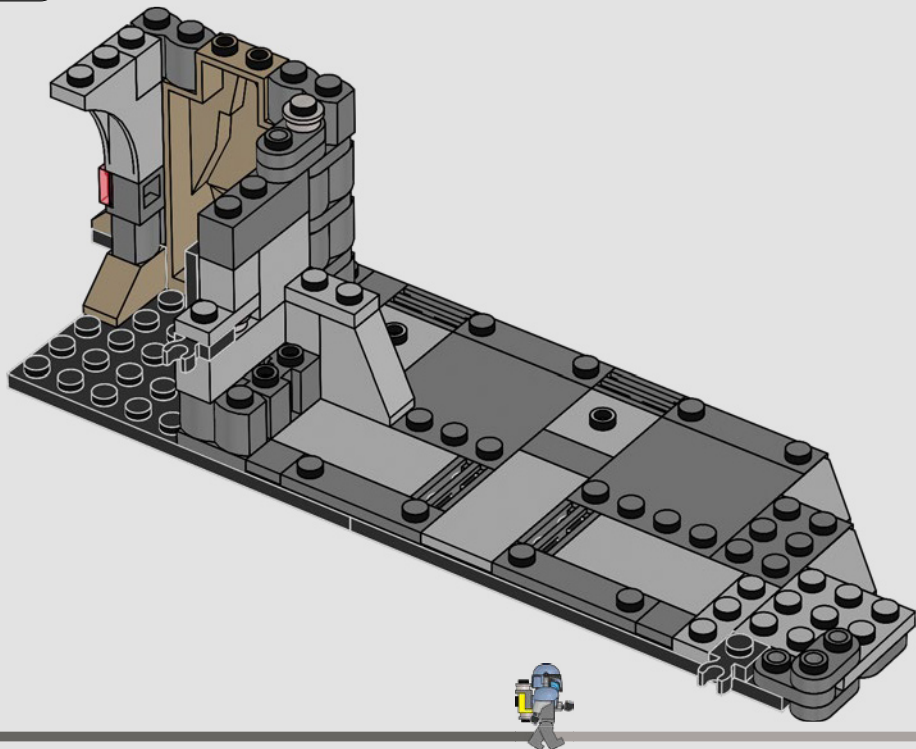
38

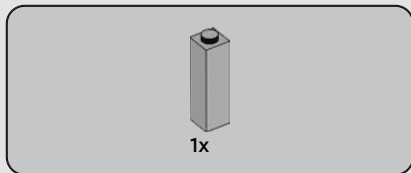




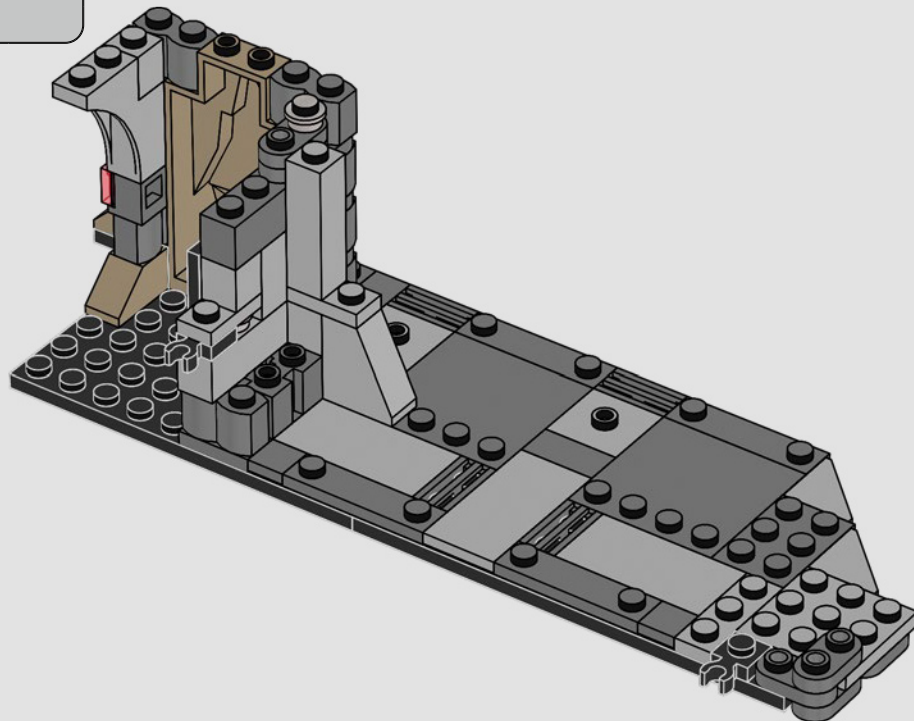
1x

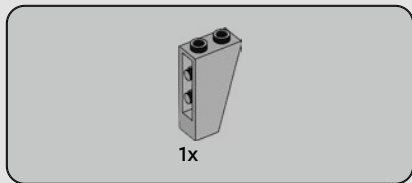
39



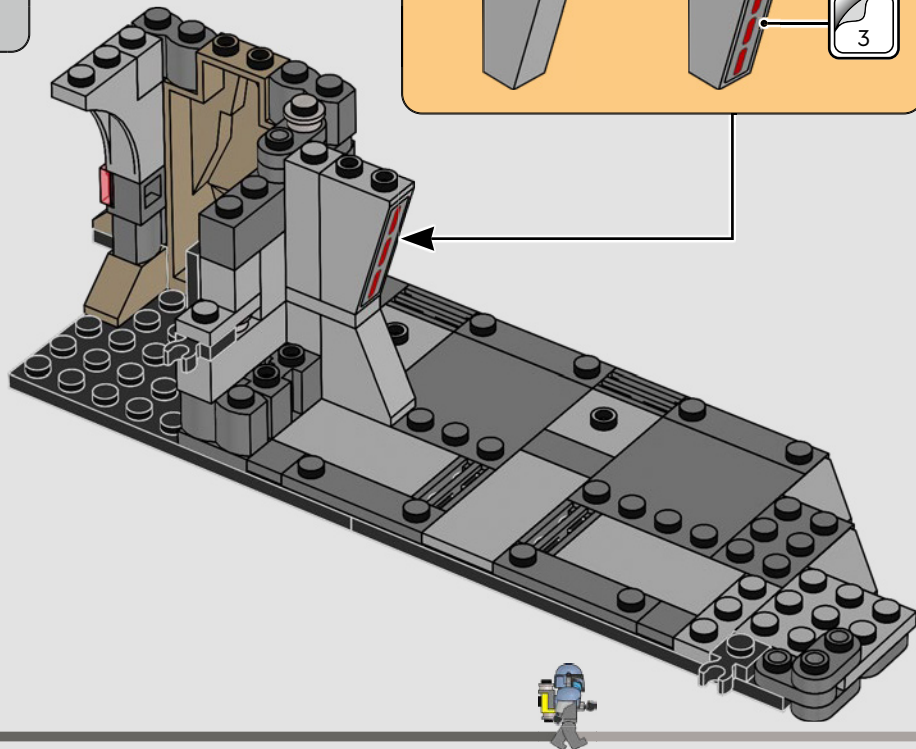
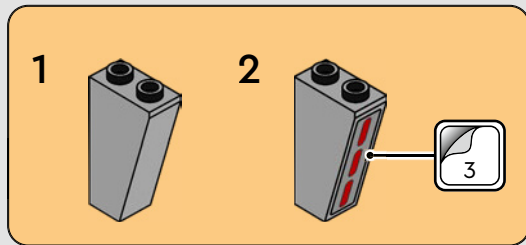


40





41



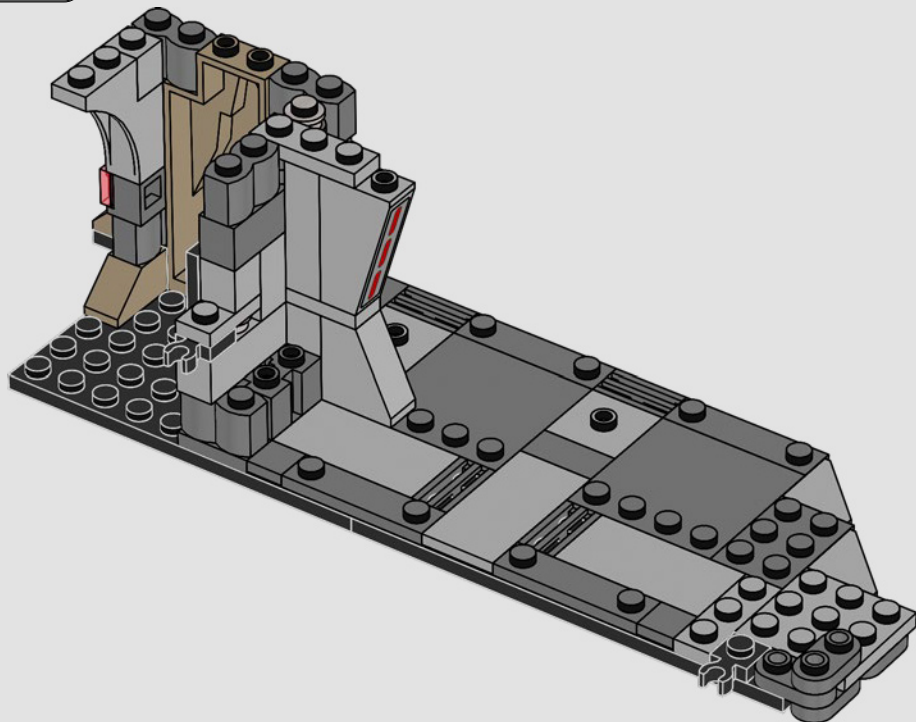


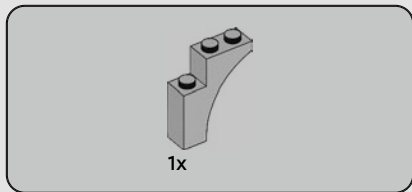
1x



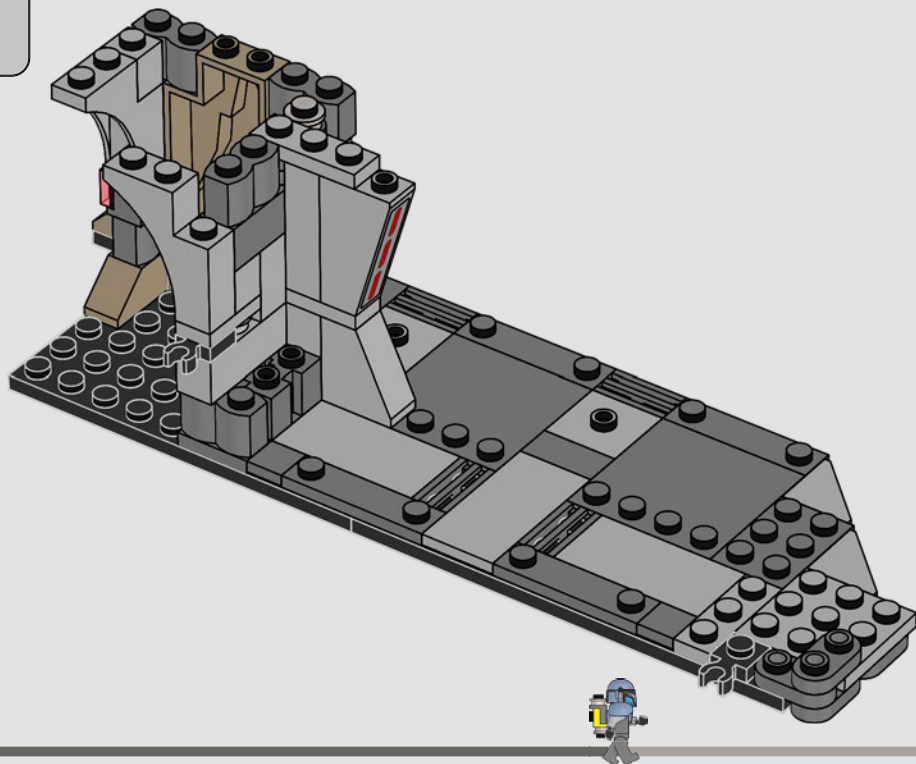
1x

42





43

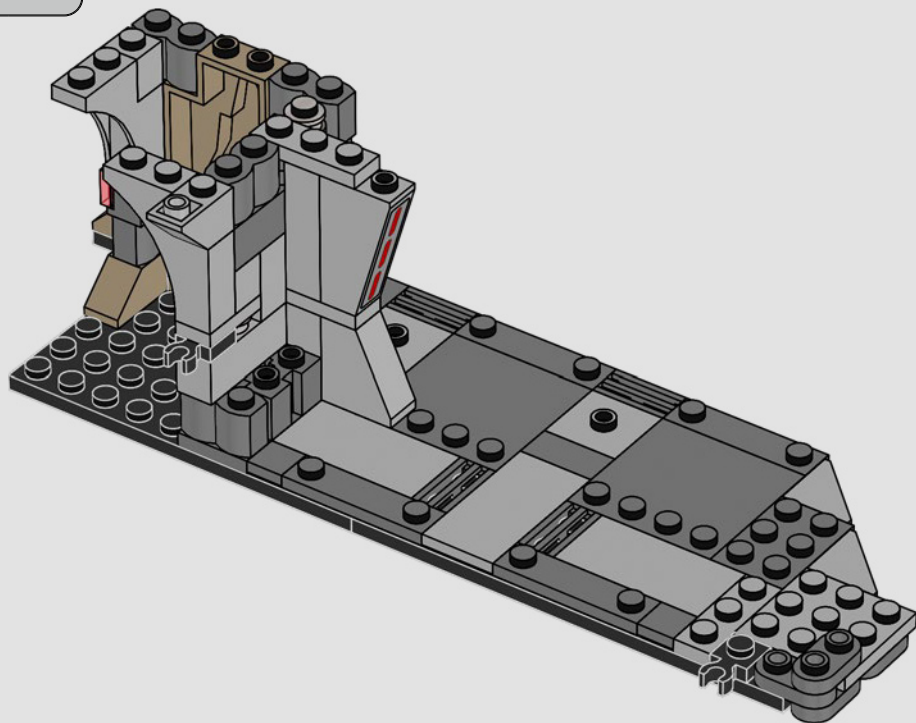


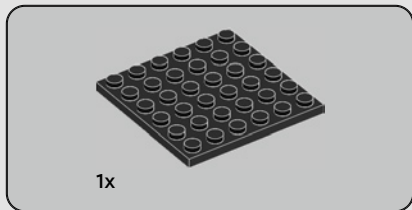




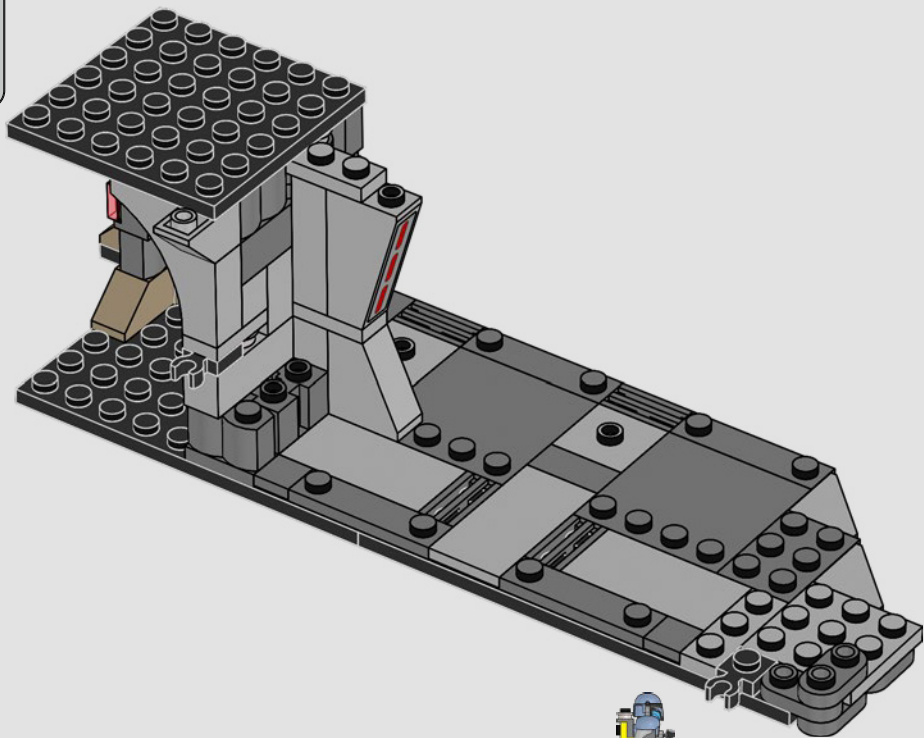
1x

44





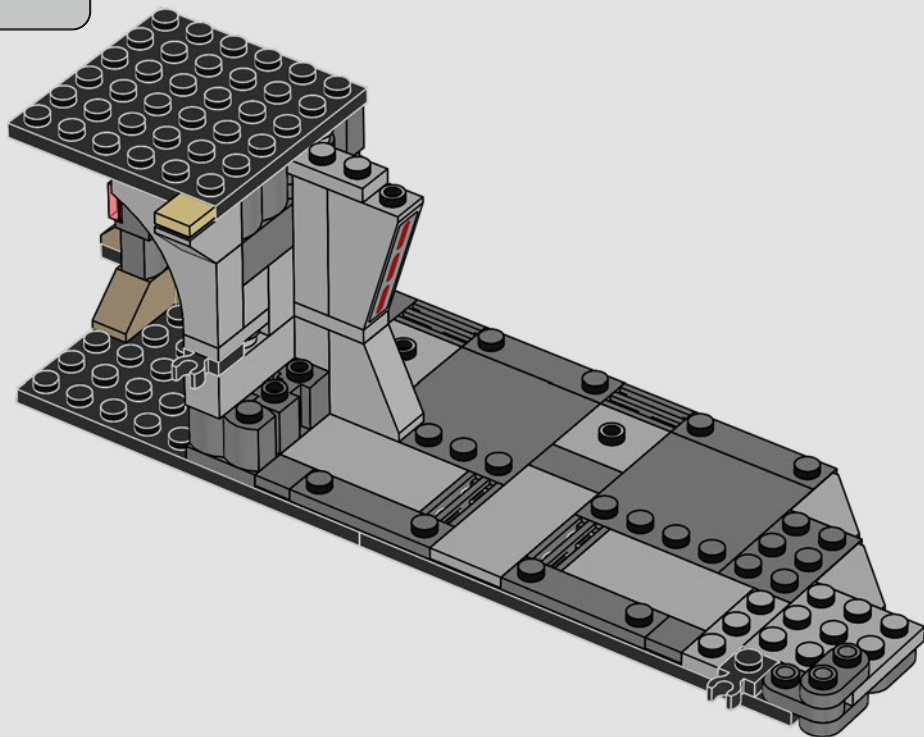
45

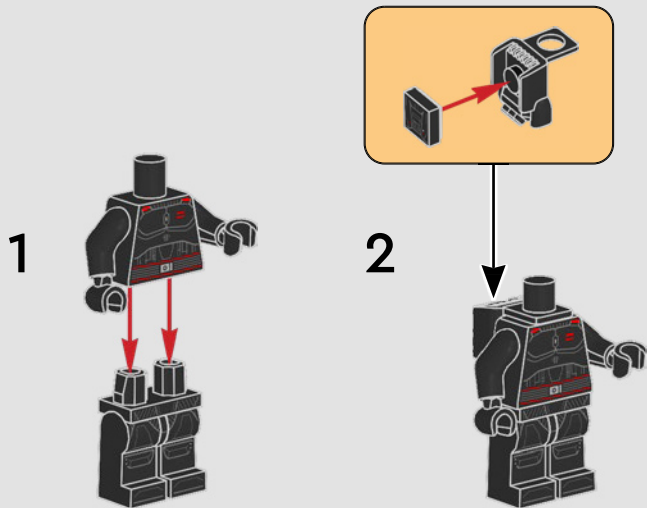


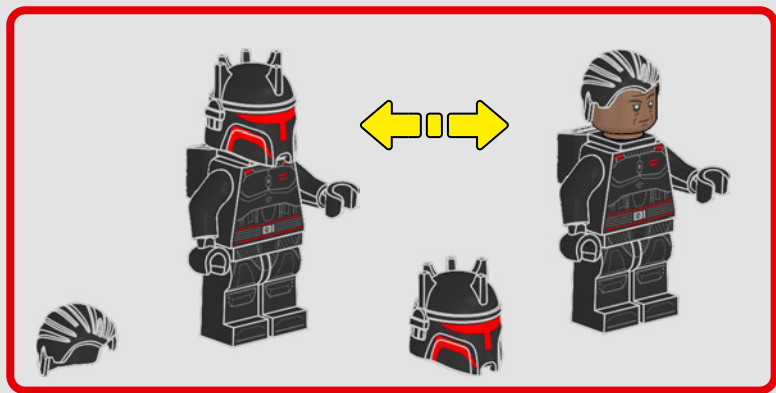
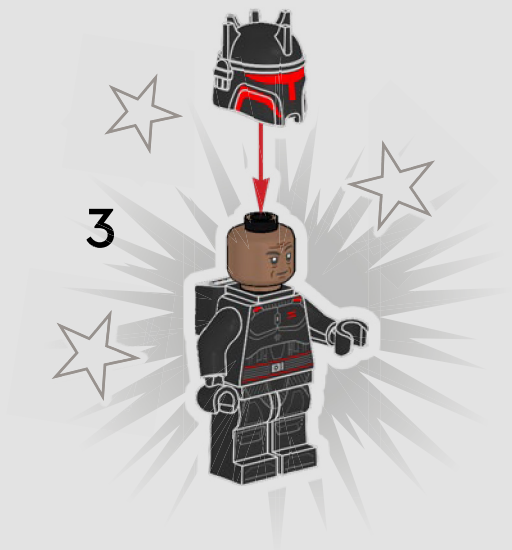


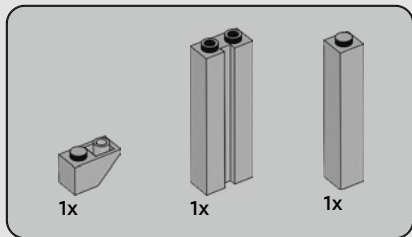
1x

46

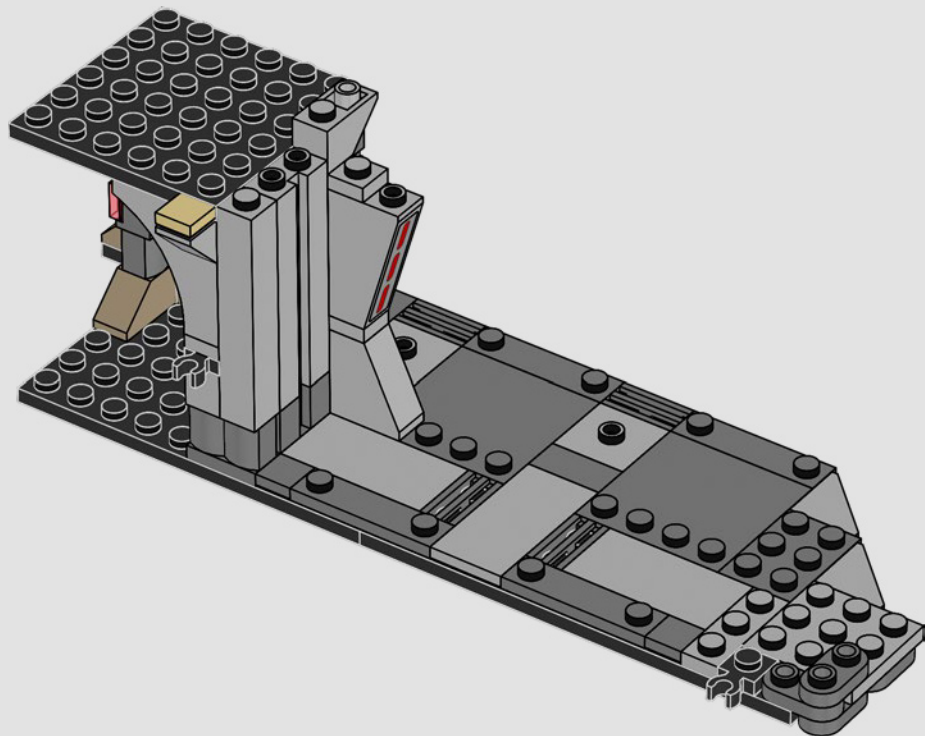








47



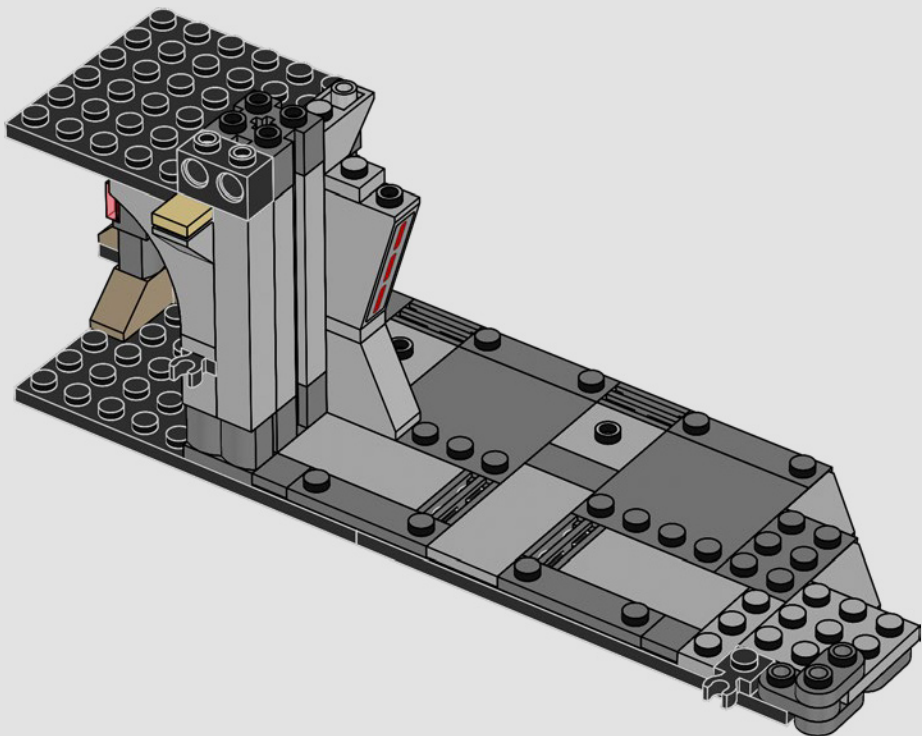


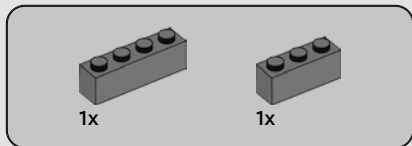
1x



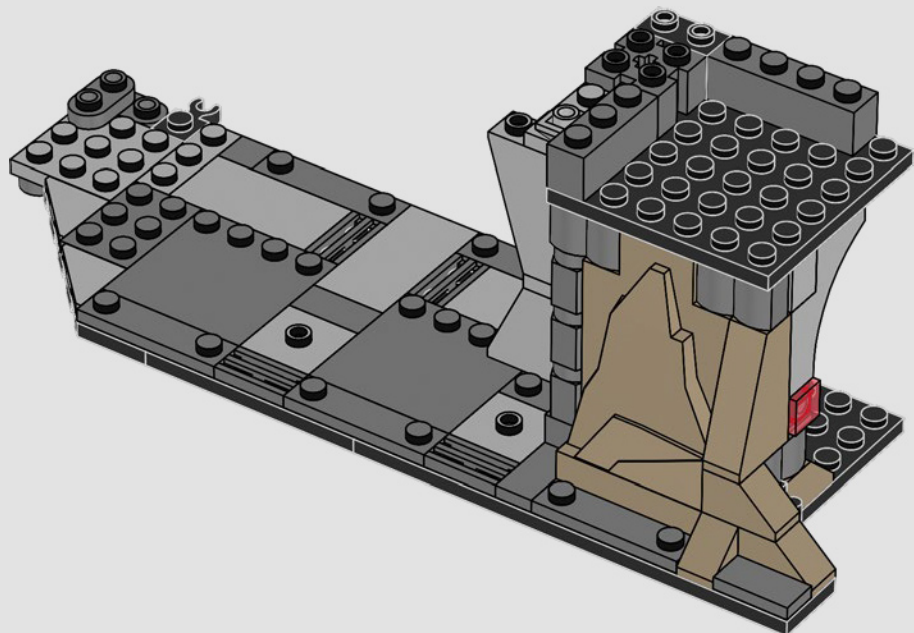
1x

48

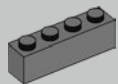




49





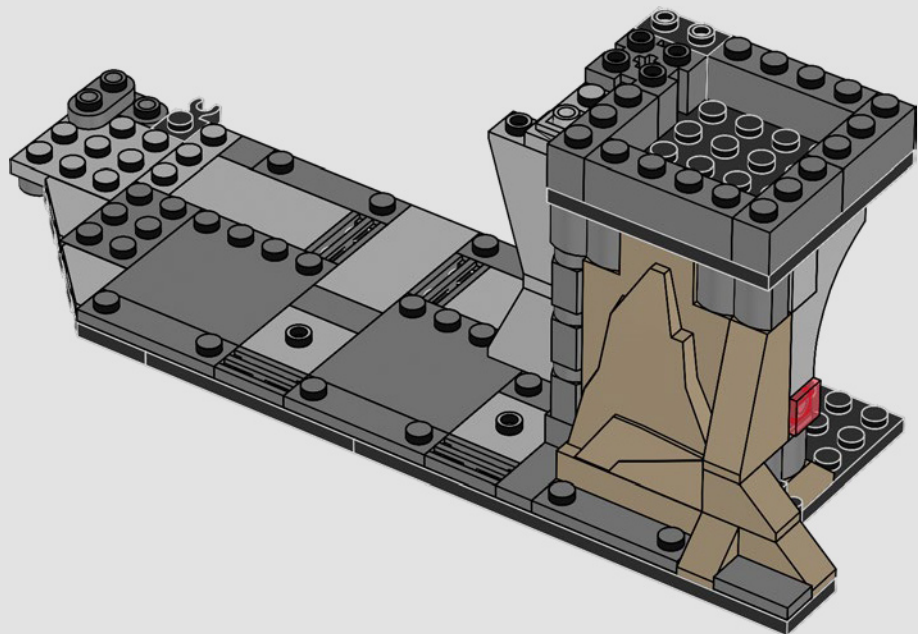


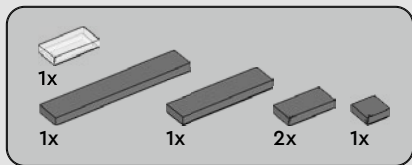
1x



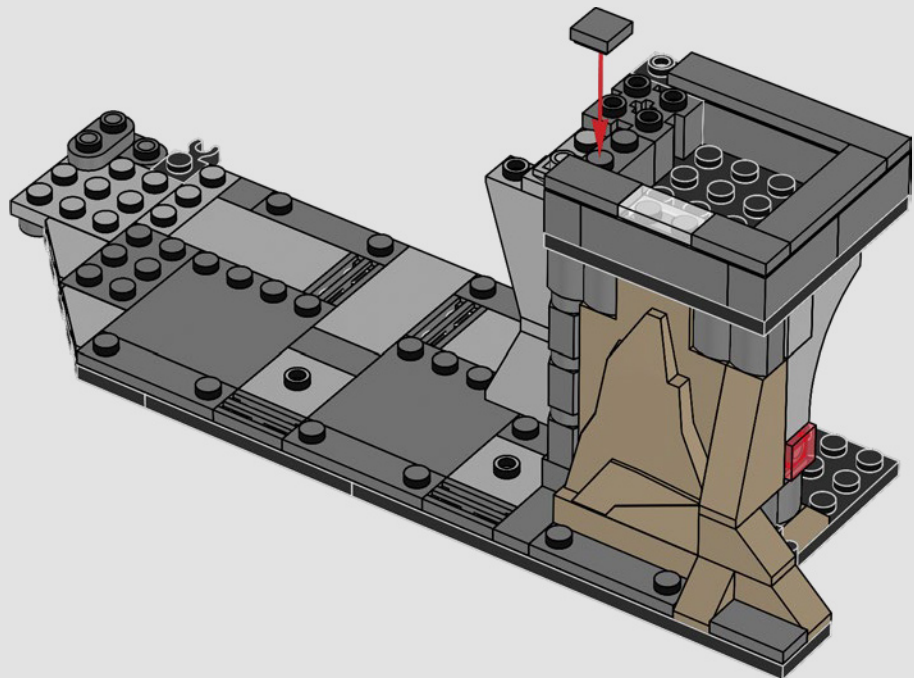
2x

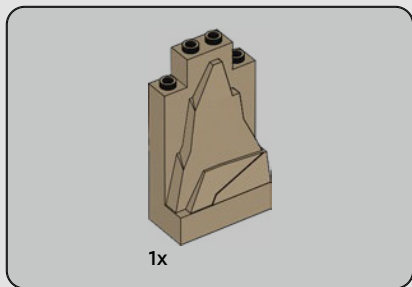
# 50



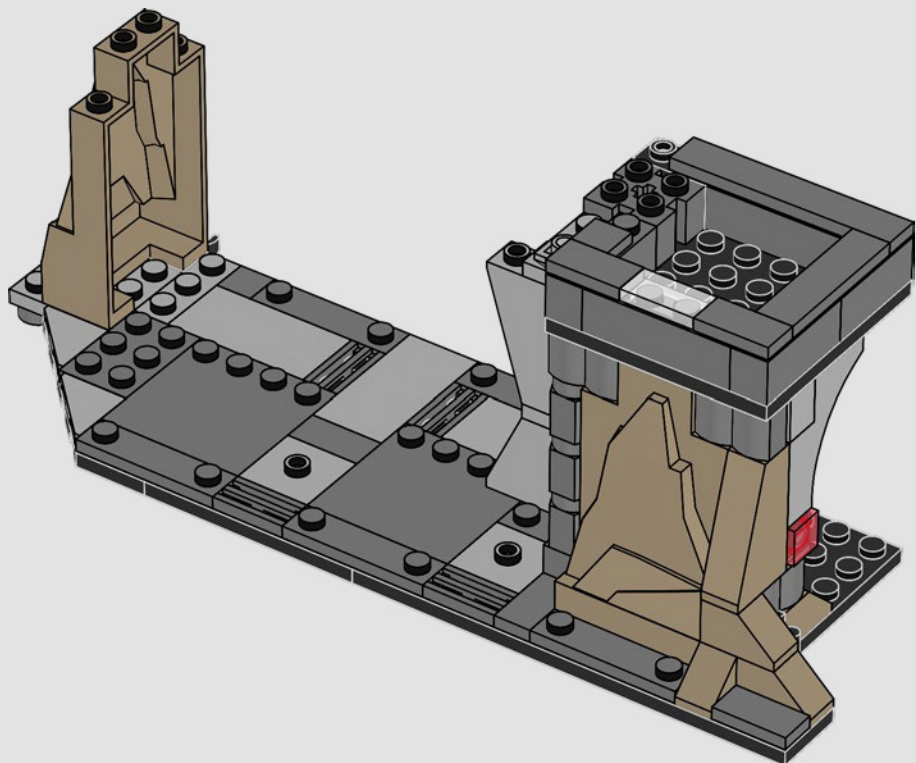


51





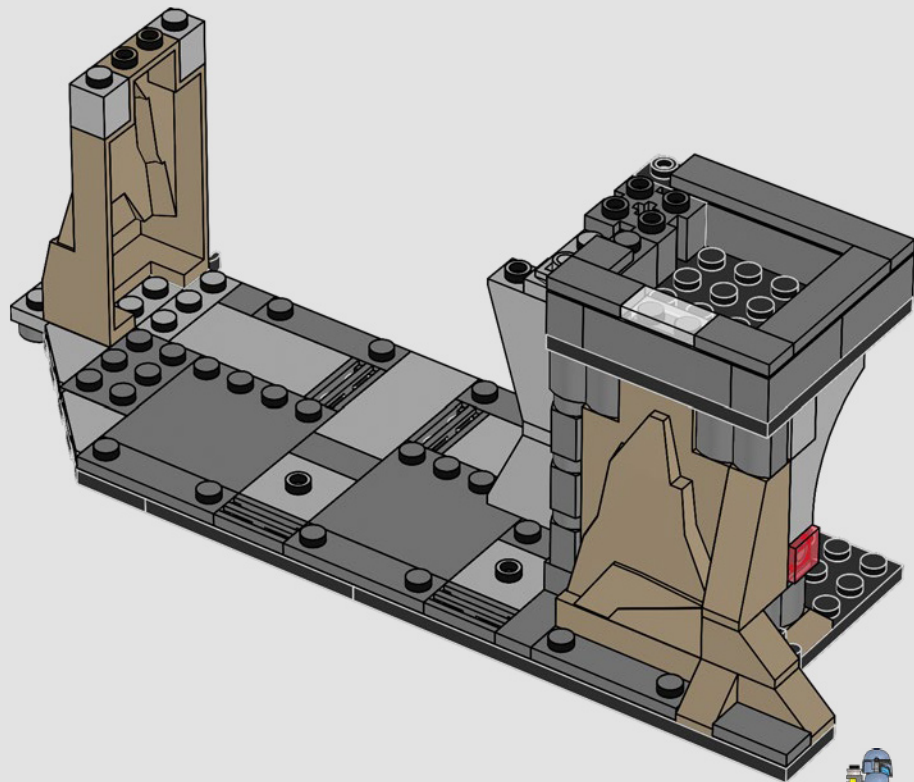
52





2x

53



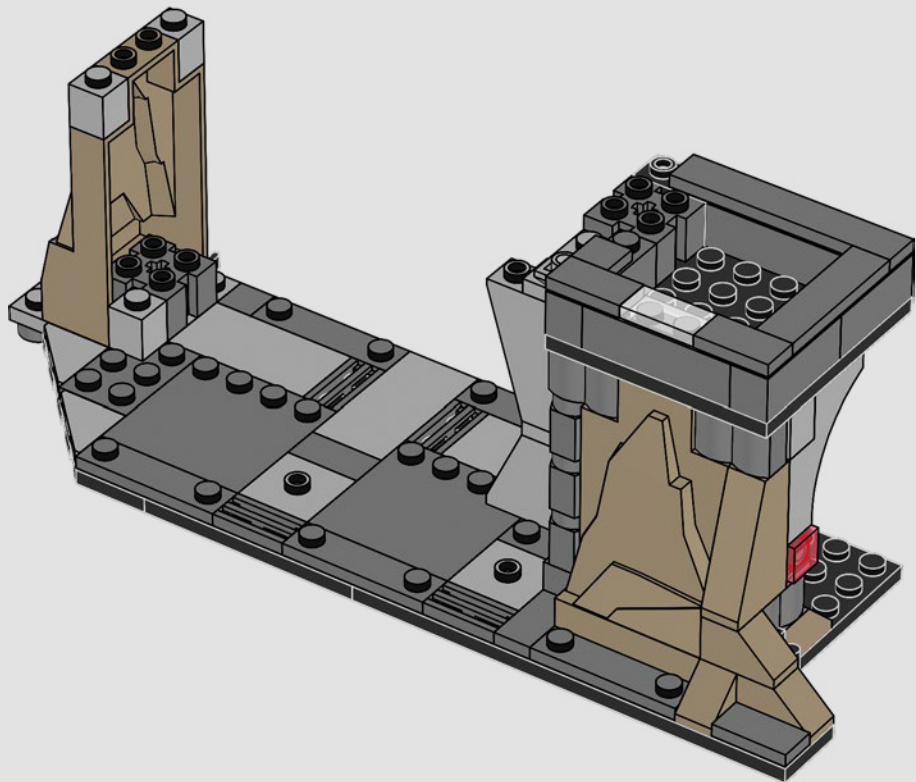


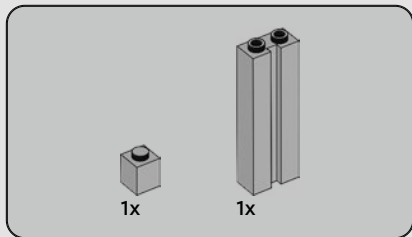
1x



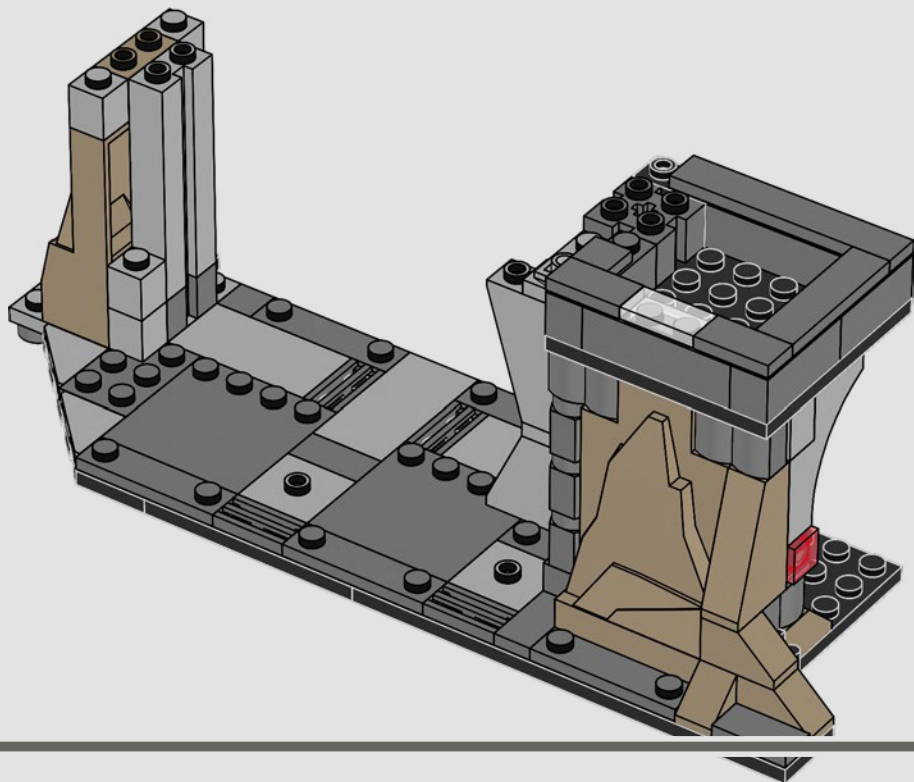
1x

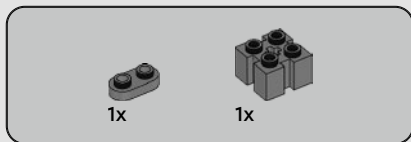
# 54



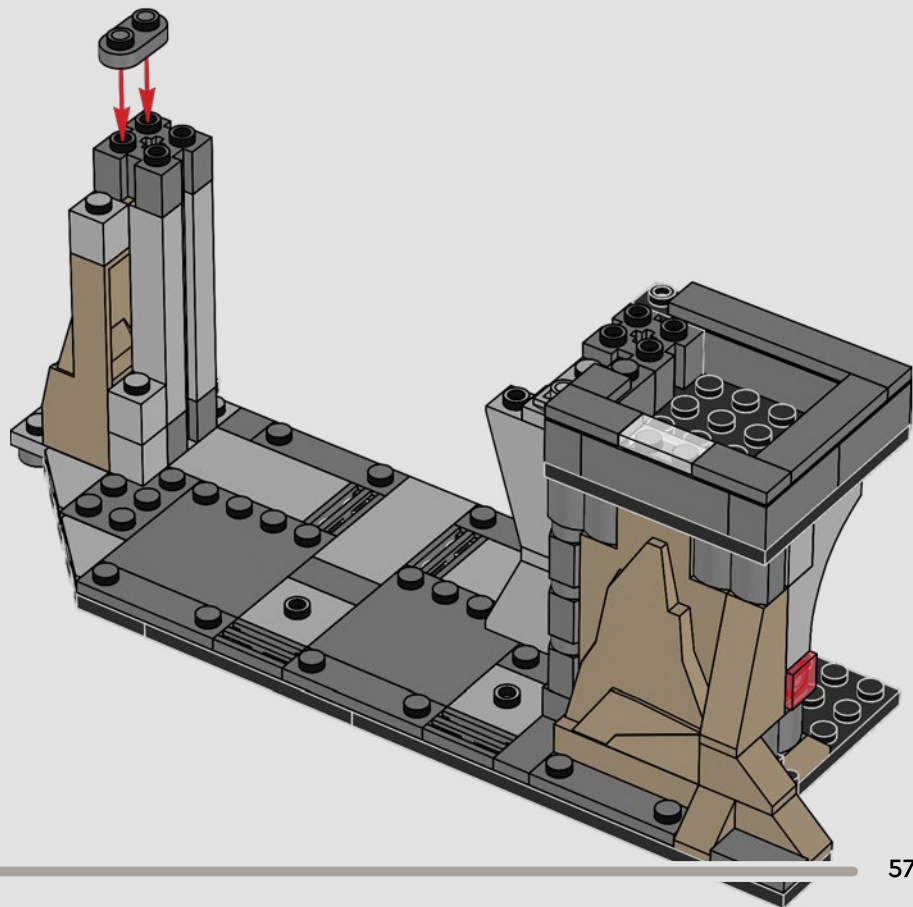


55





56





2x

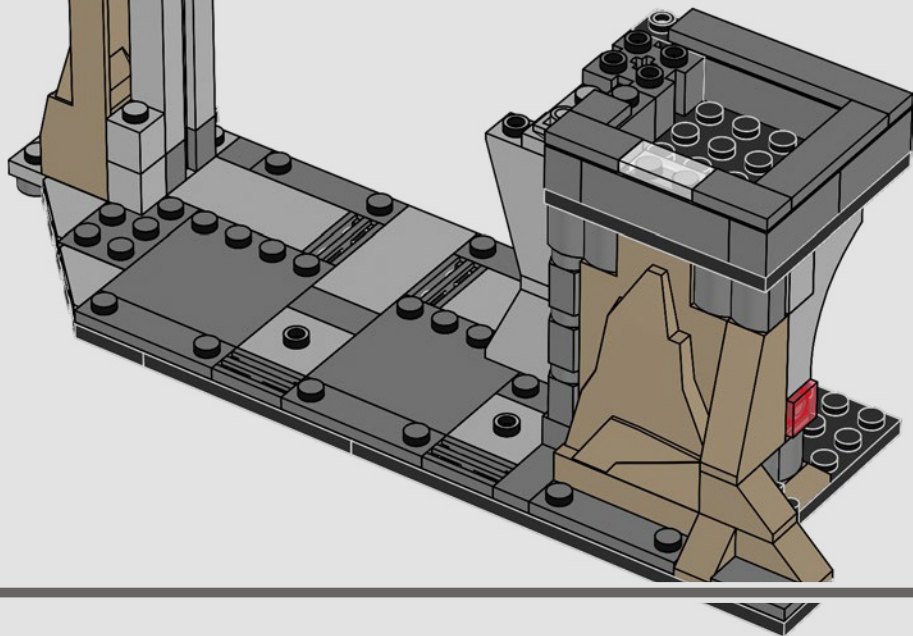


2x

57



2x

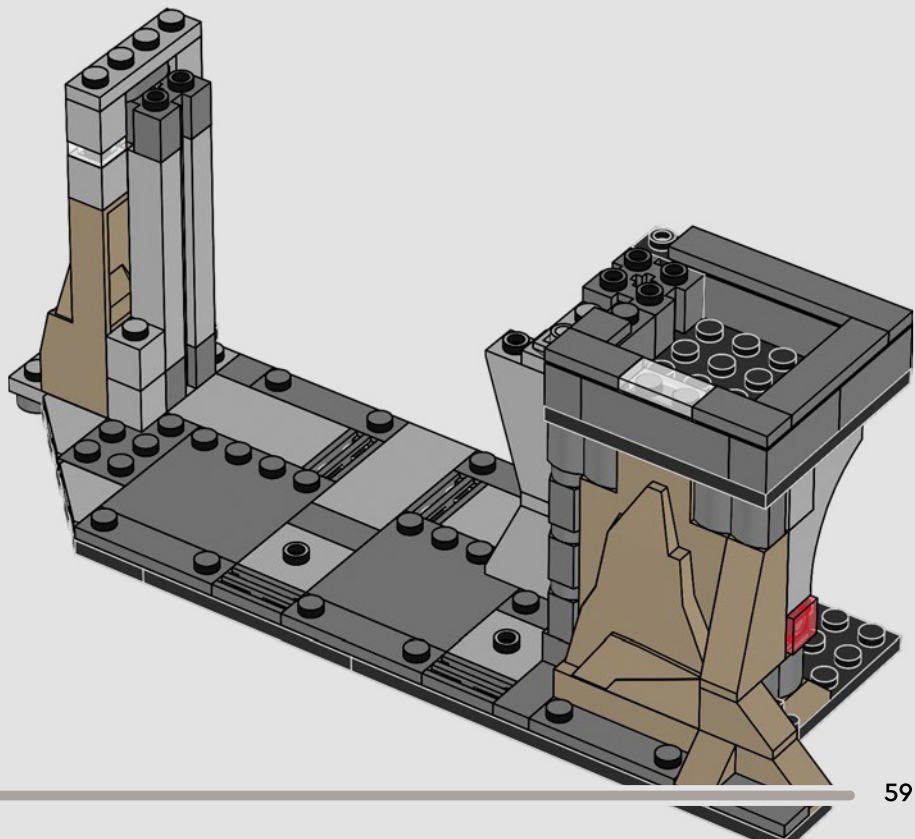






1x

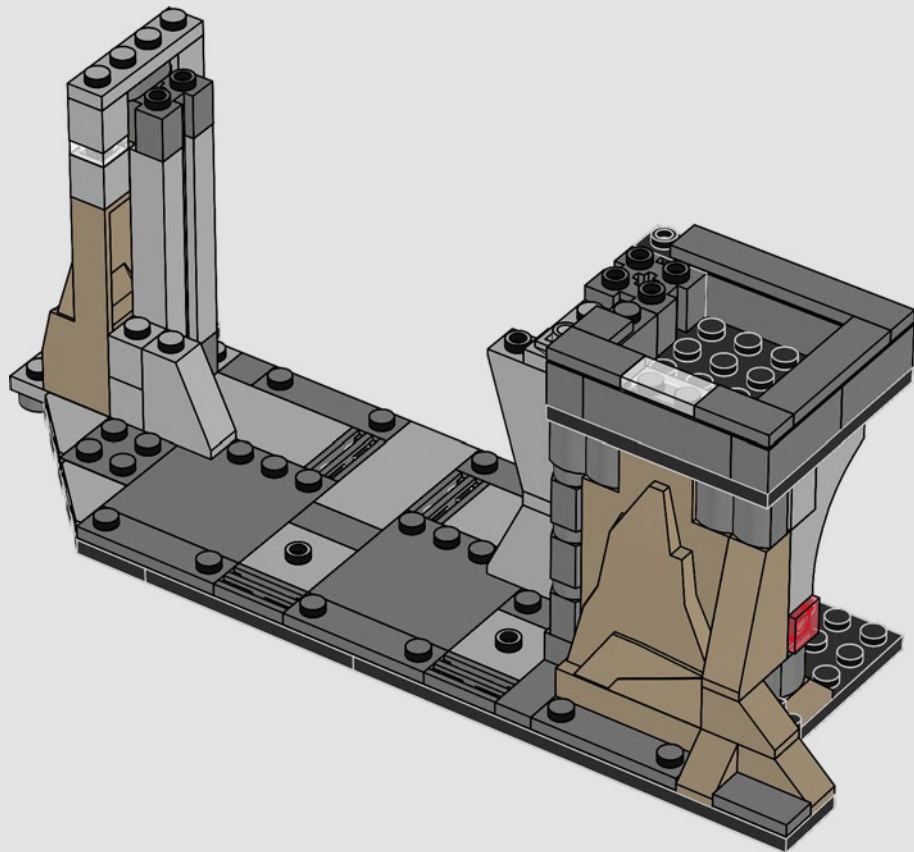
58





1x

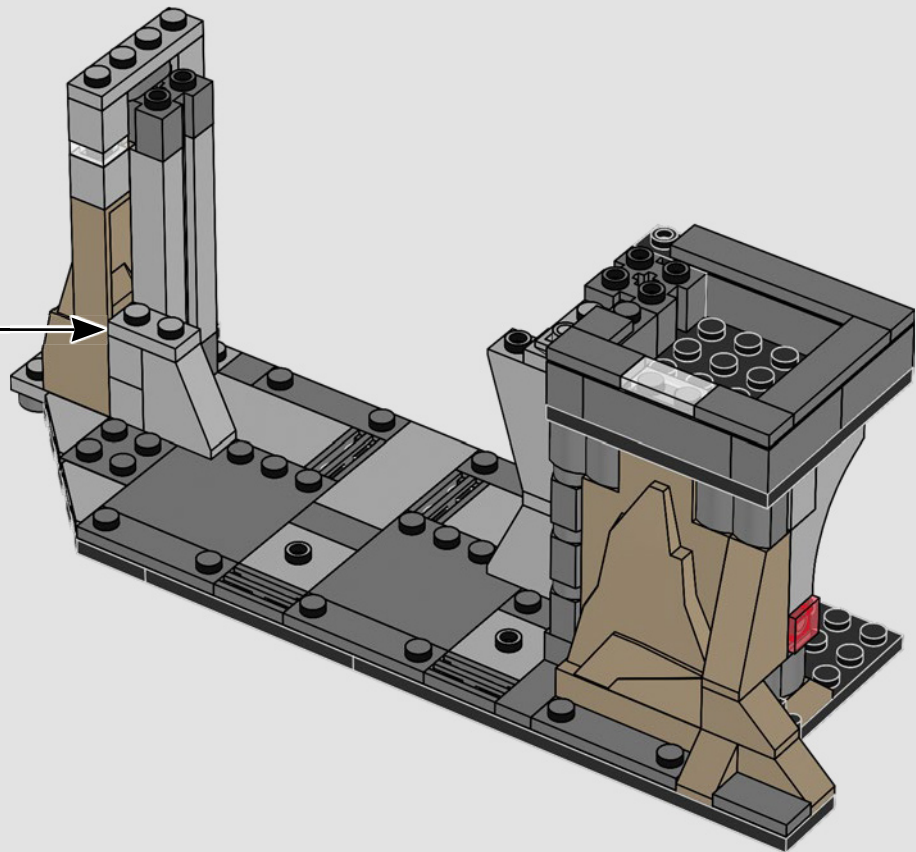
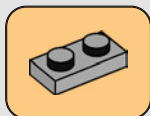
59

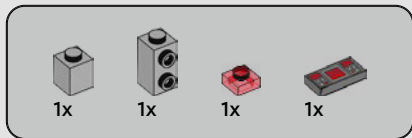




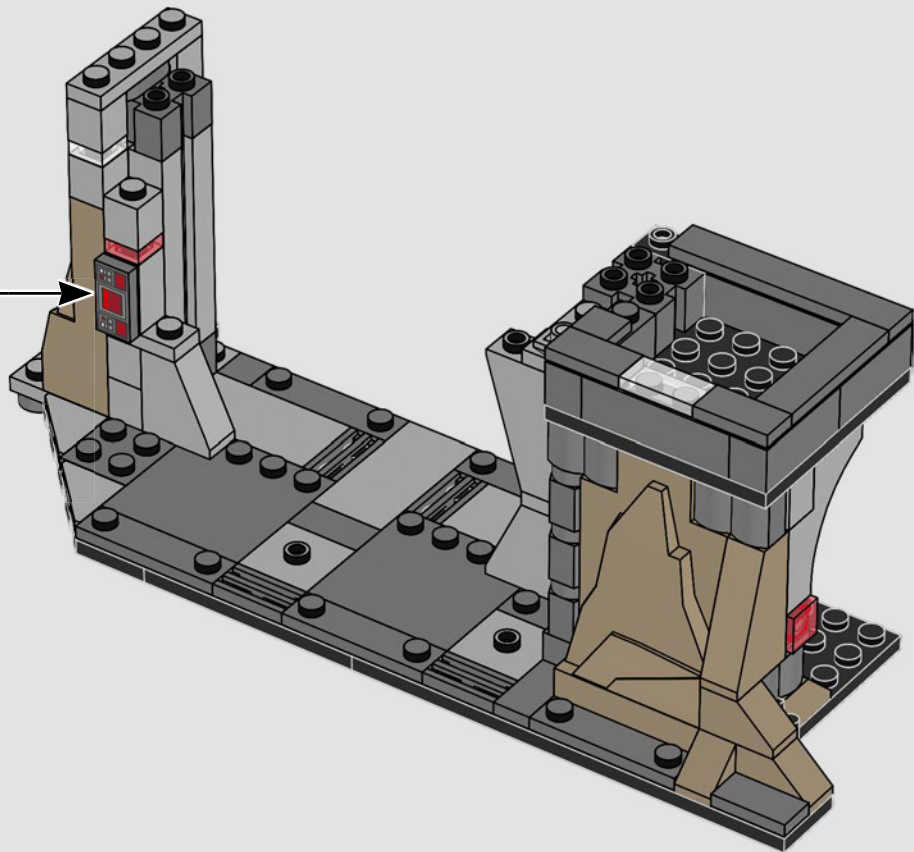
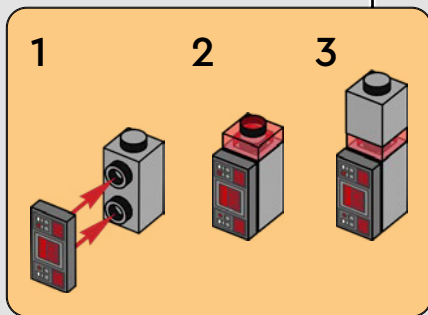
1x

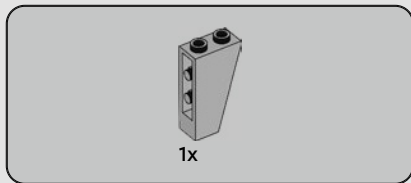
60



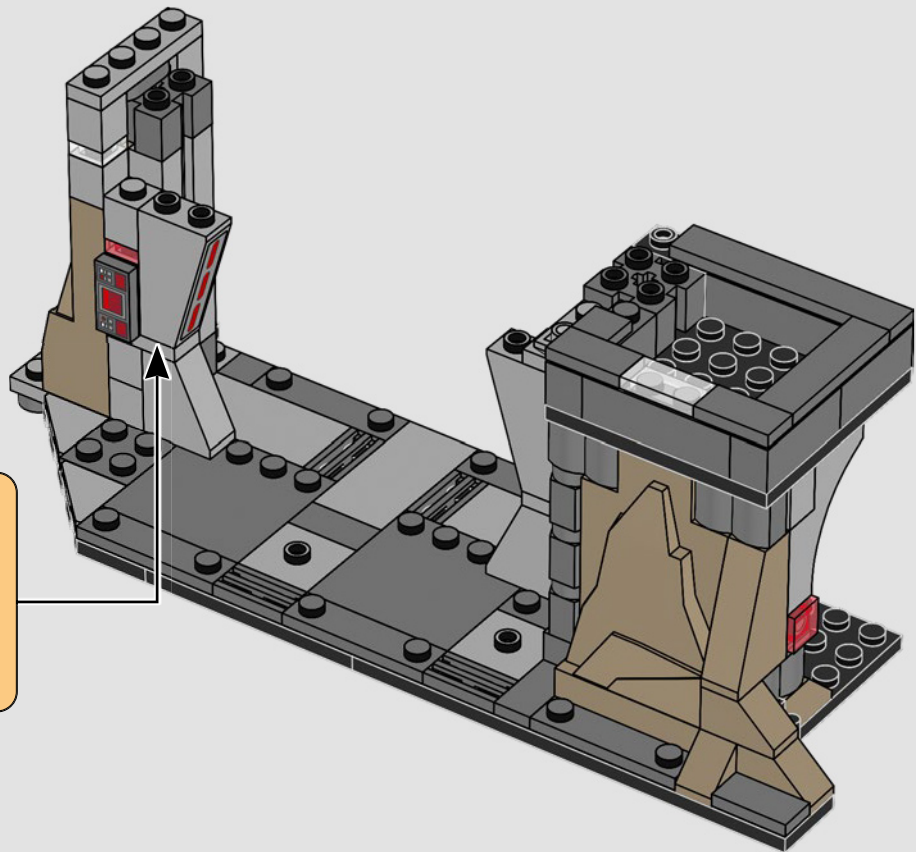
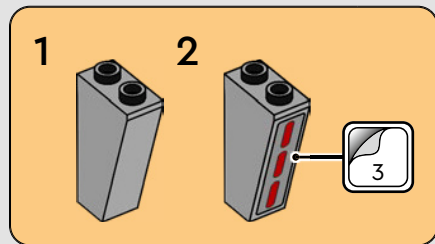


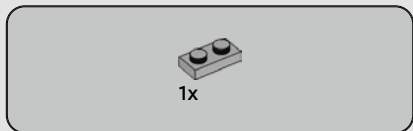
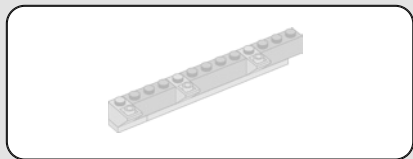
61



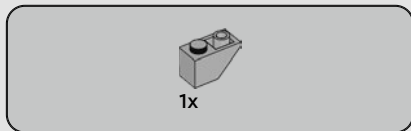


62

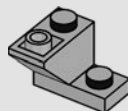


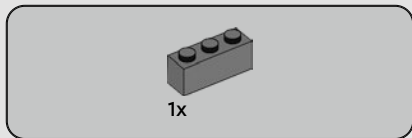


63

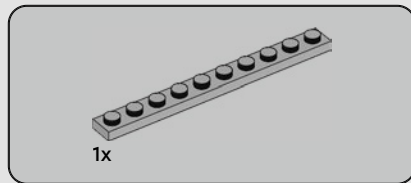
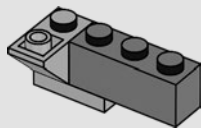


64

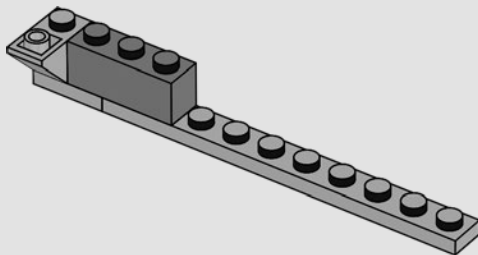


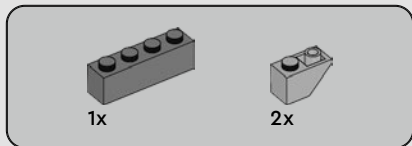


65

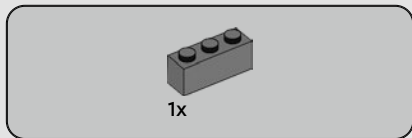
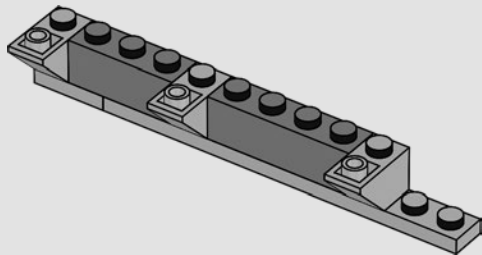


66

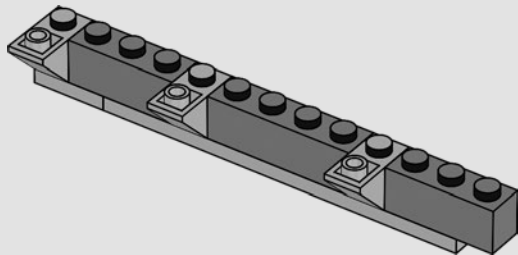




67

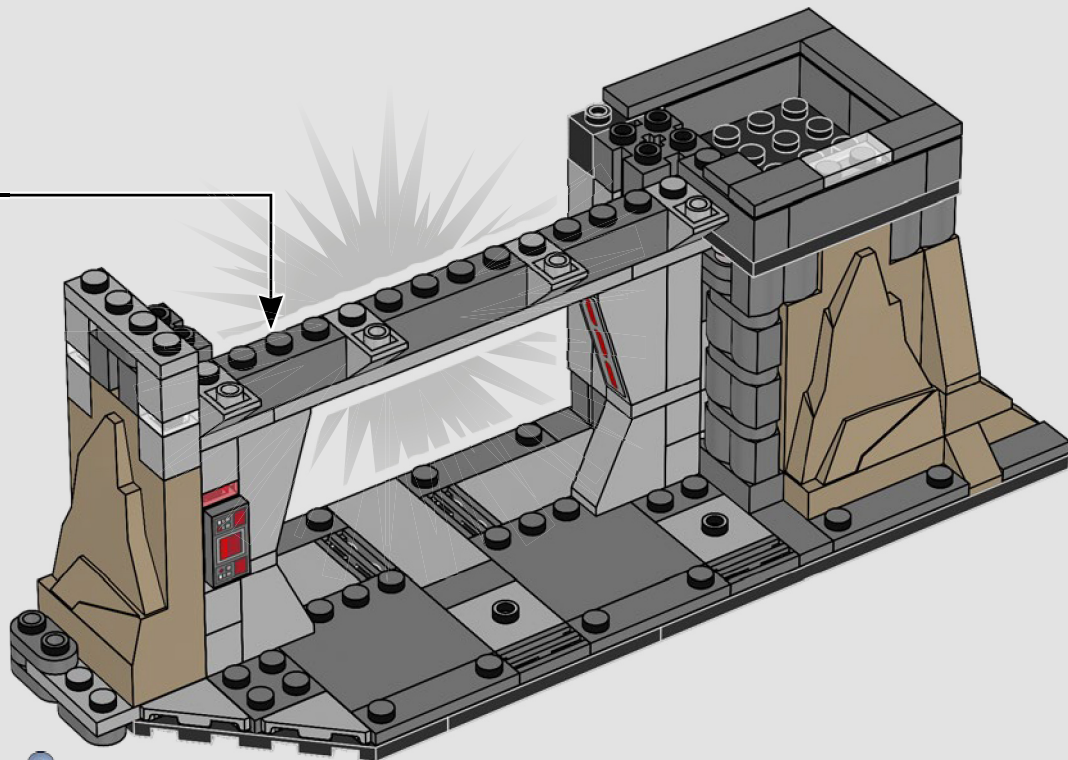


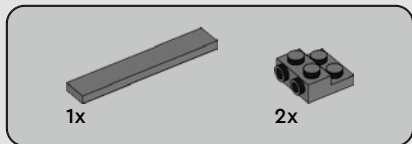
68





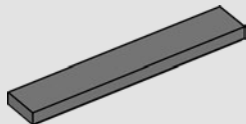
69



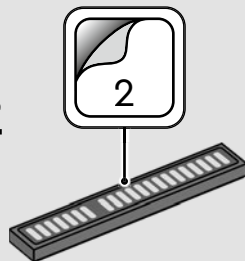


70

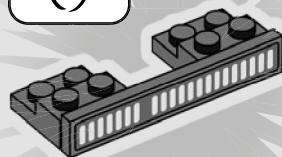
1

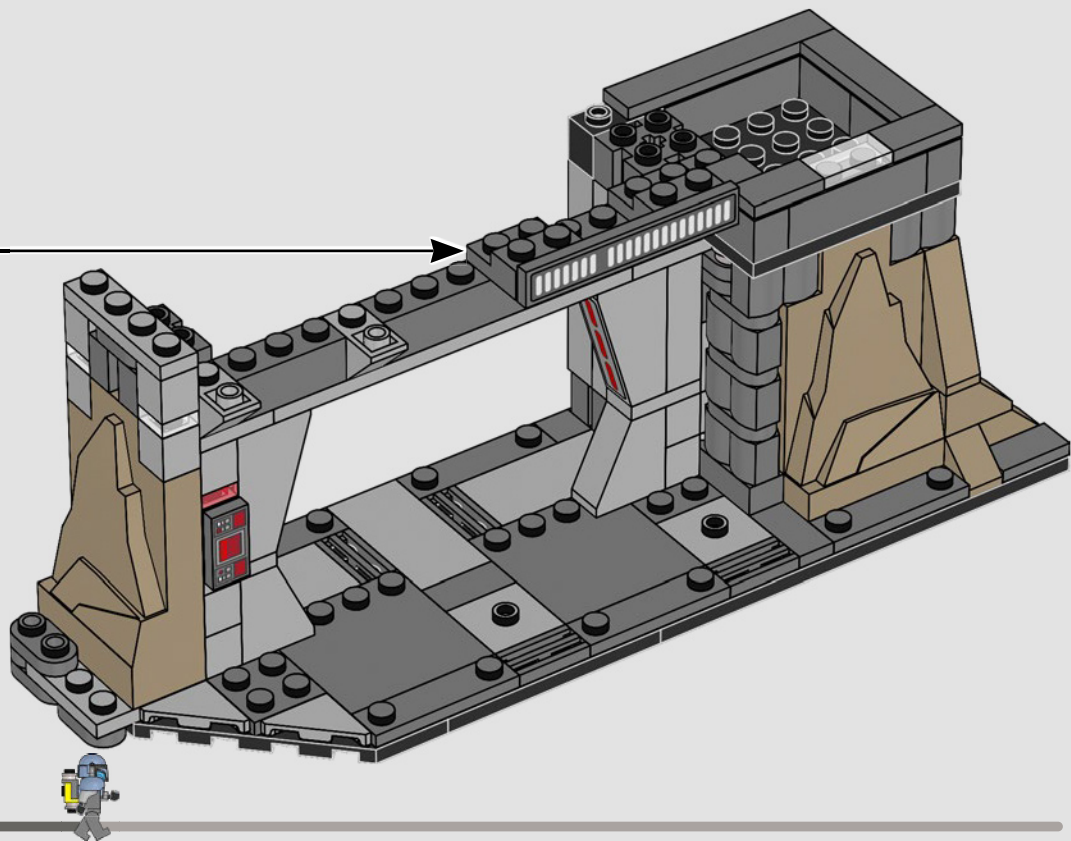


2



3

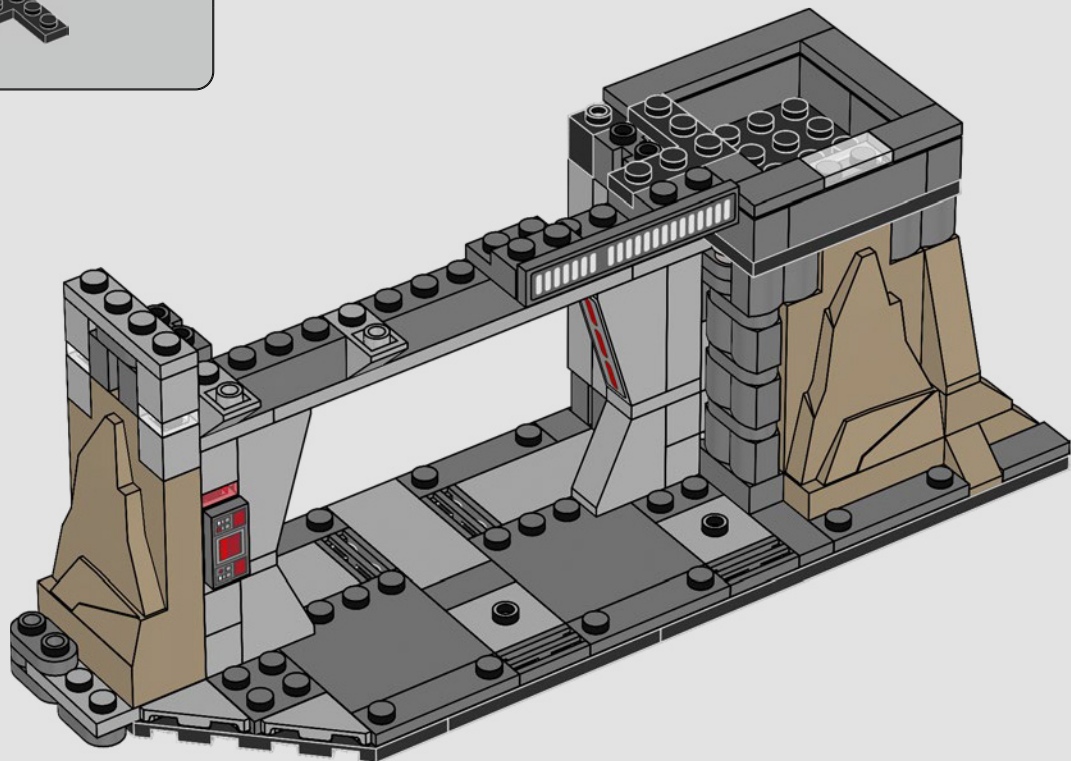


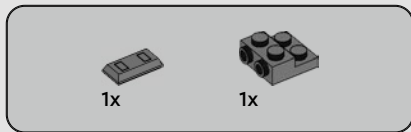




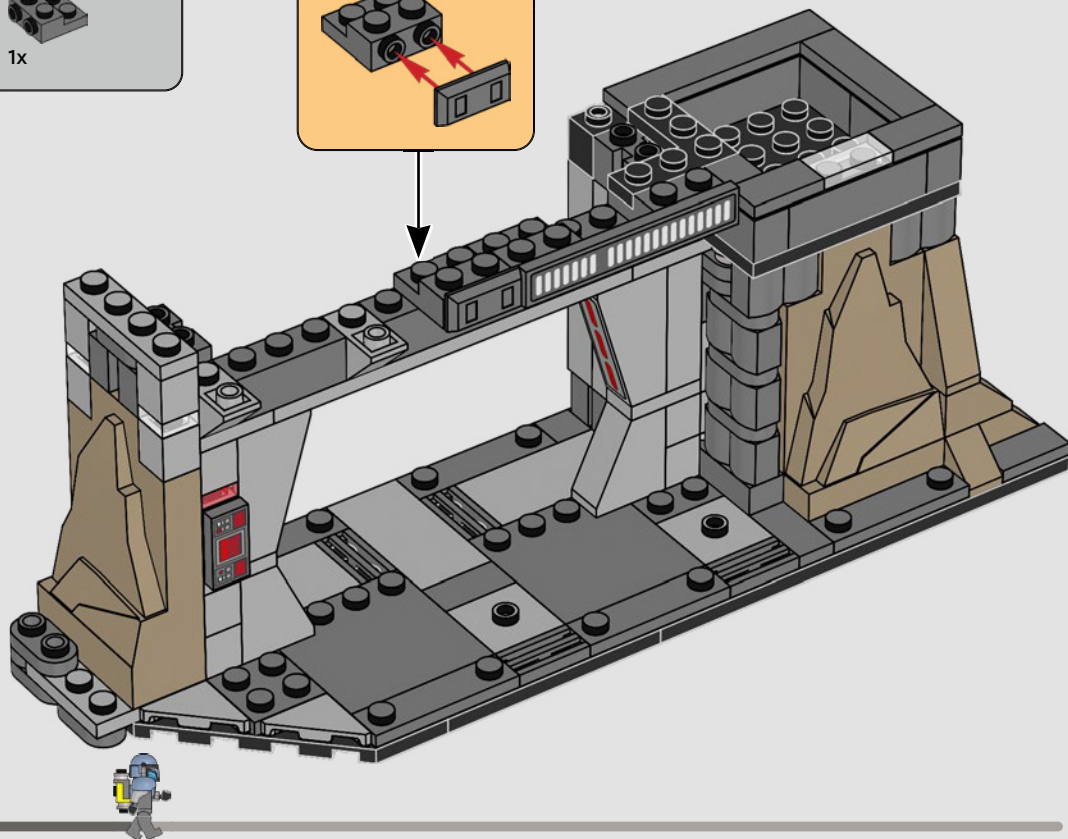
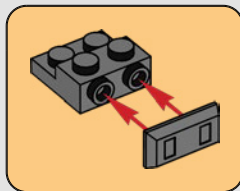
1x

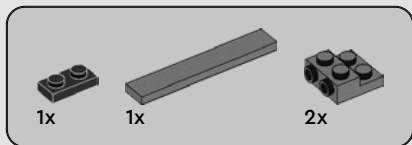
71





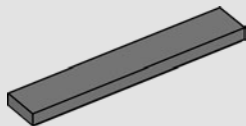
72



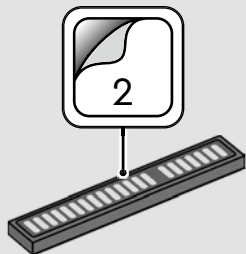


73

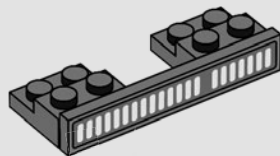
1



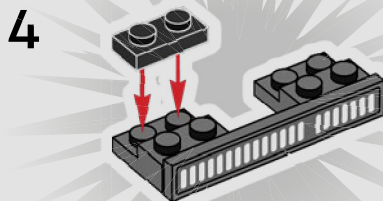
2

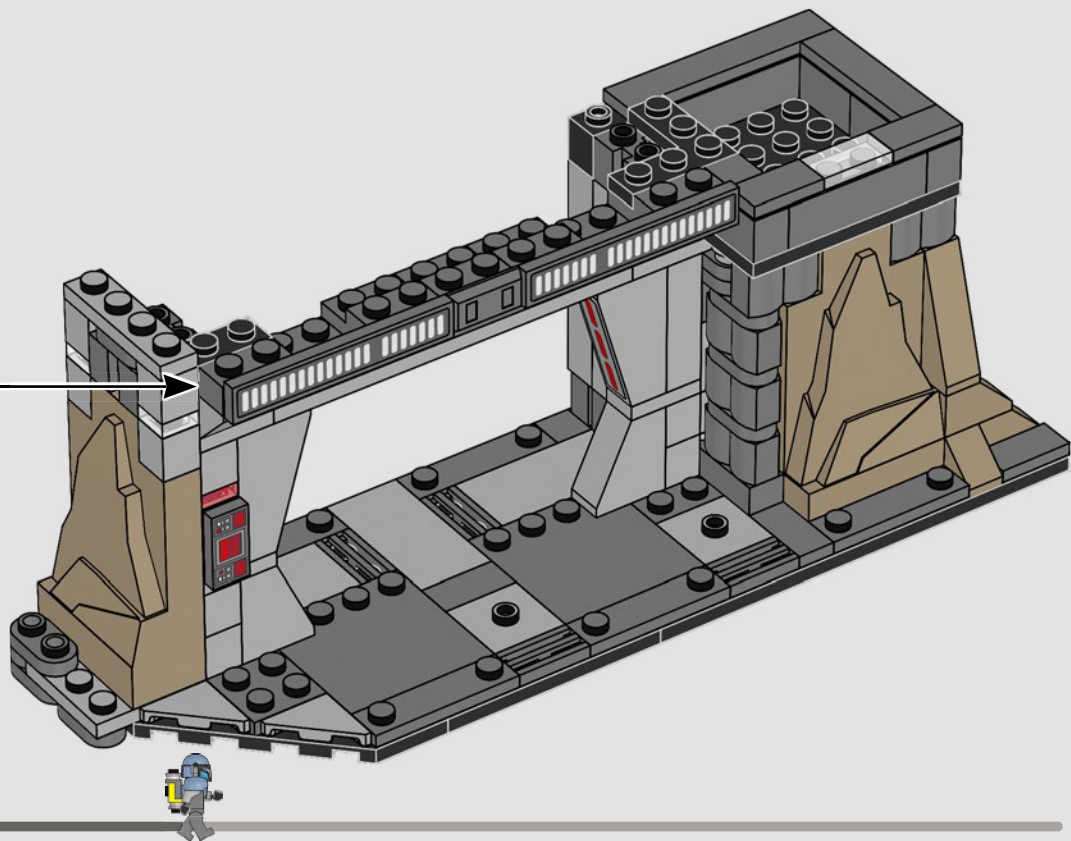


3



4







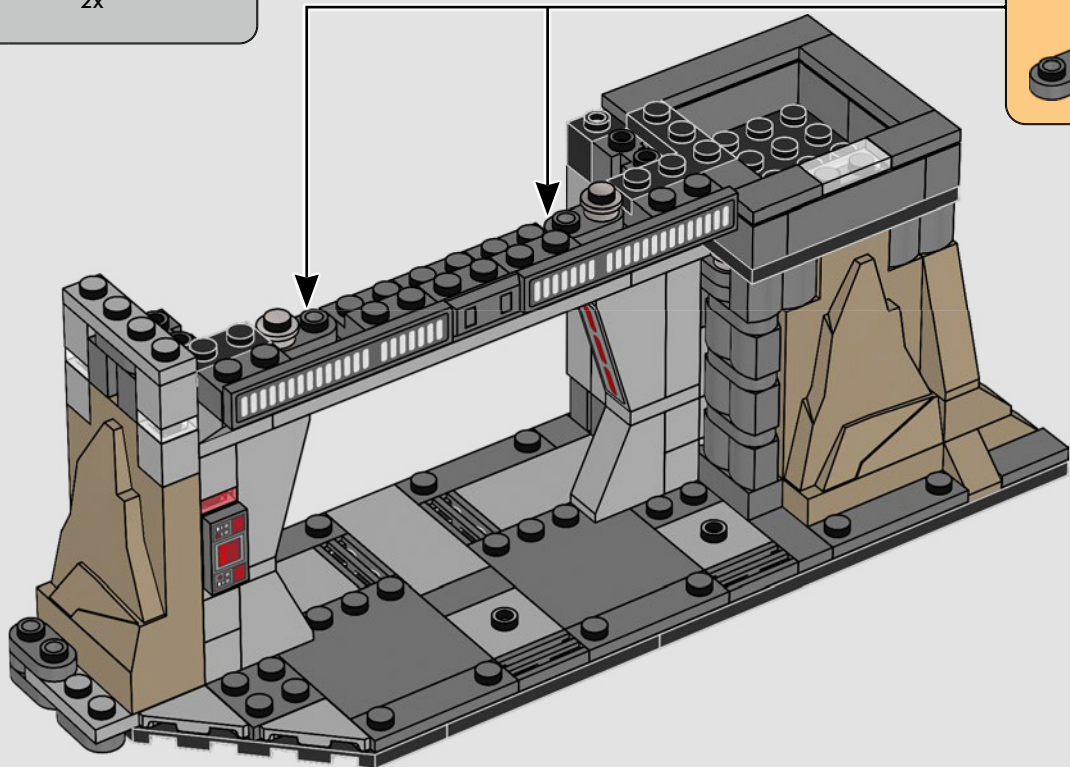


2x



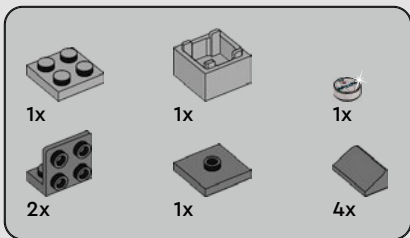
2x

74

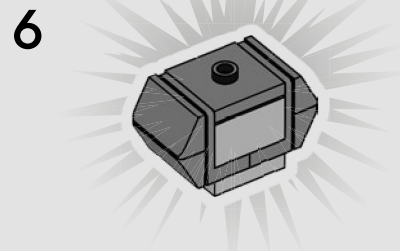
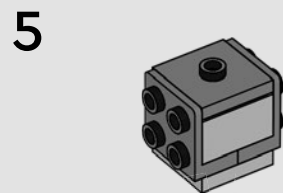
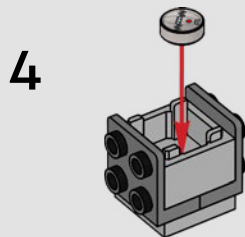
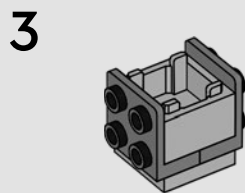
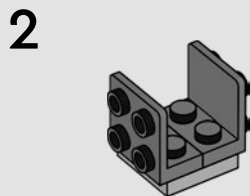
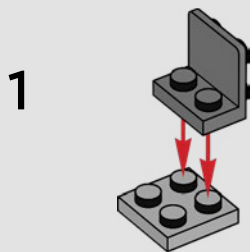


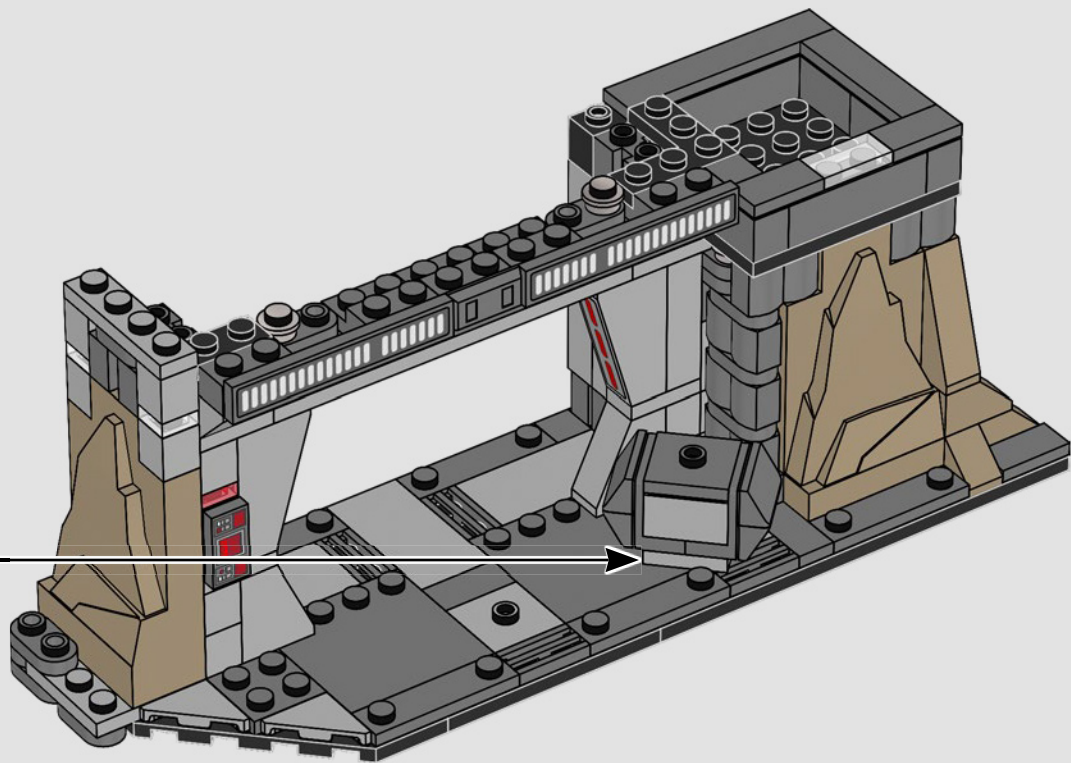
2x



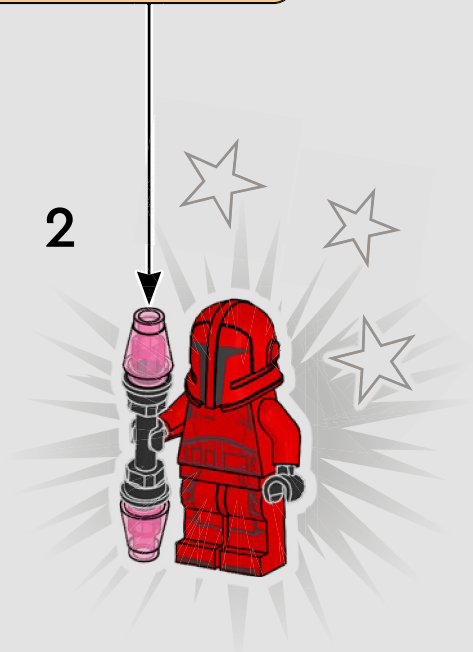
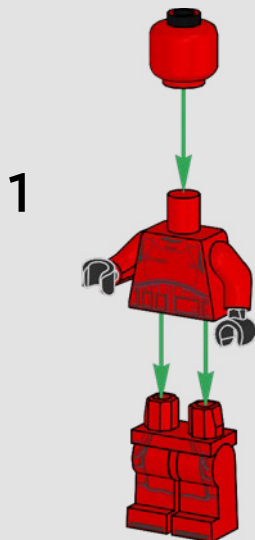
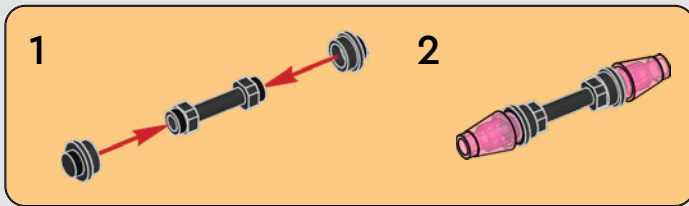


75

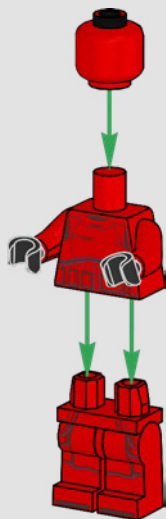








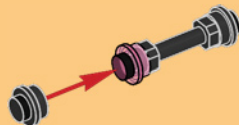
1



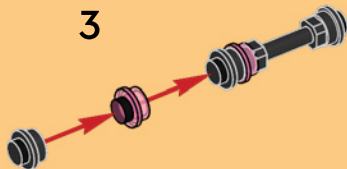
1



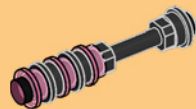
2



3

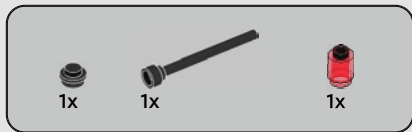


4

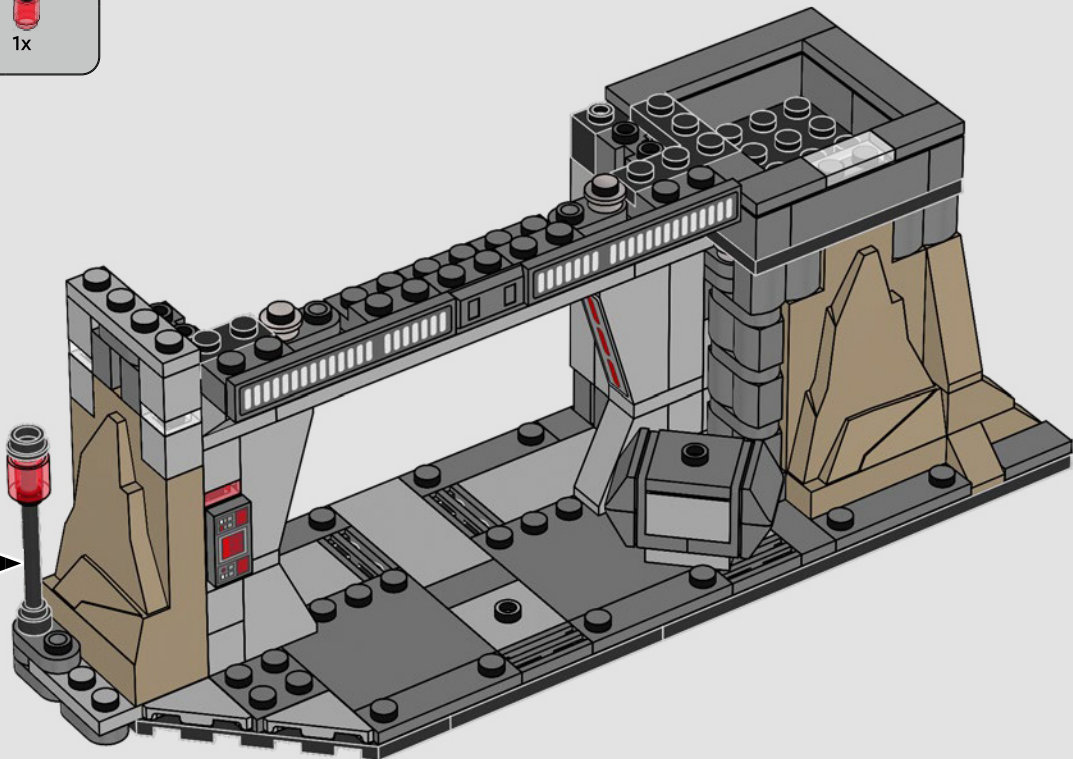
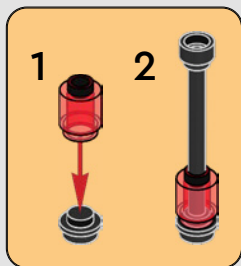


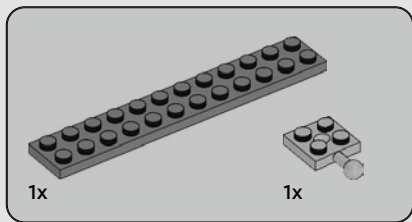
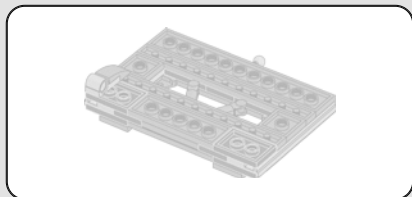
2



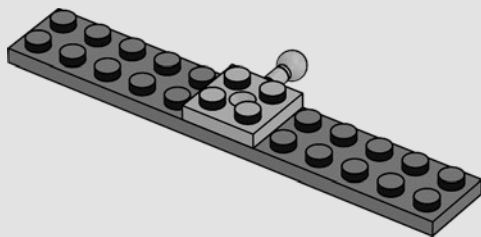


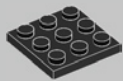
76





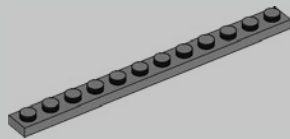
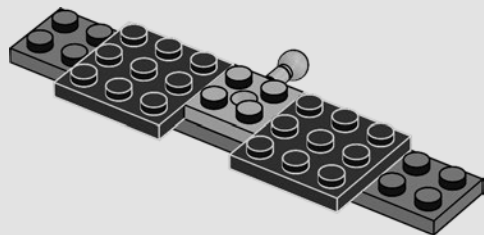
77





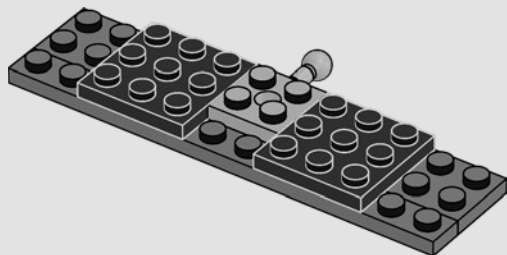
2x

78



1x

79

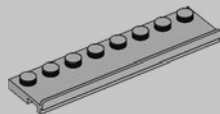
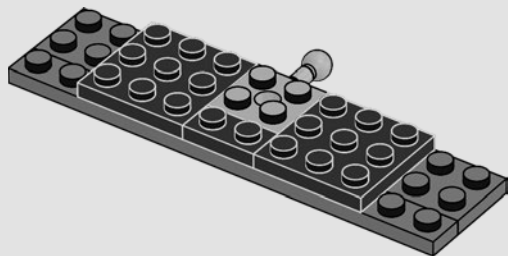






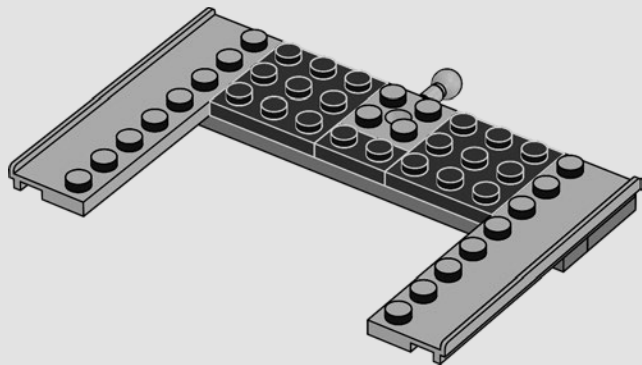
1x

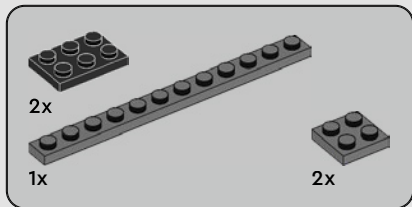
80



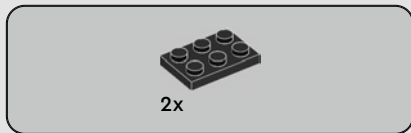
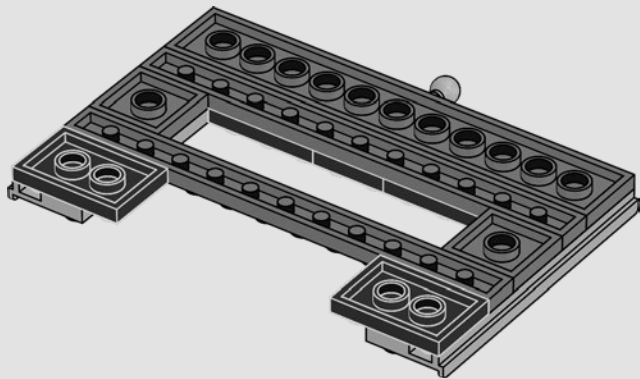
2x

81

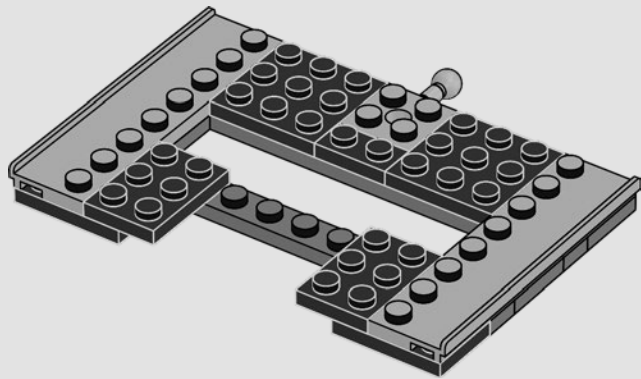


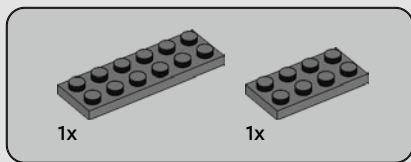


82

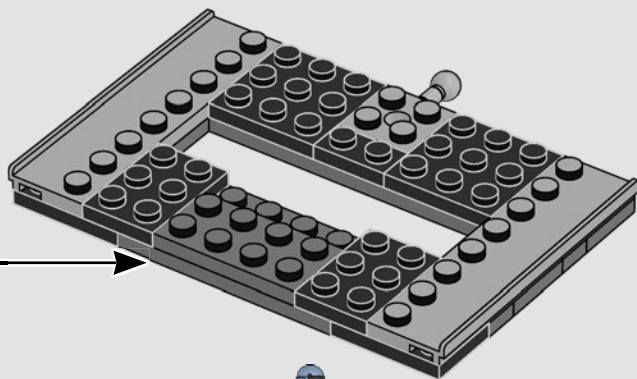
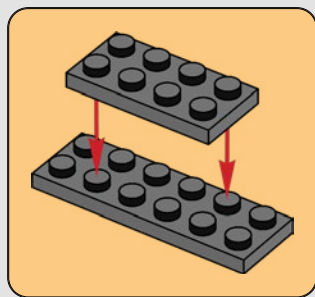


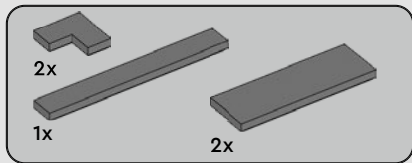
83



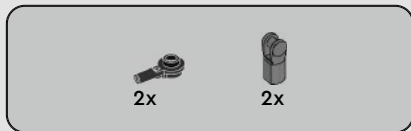
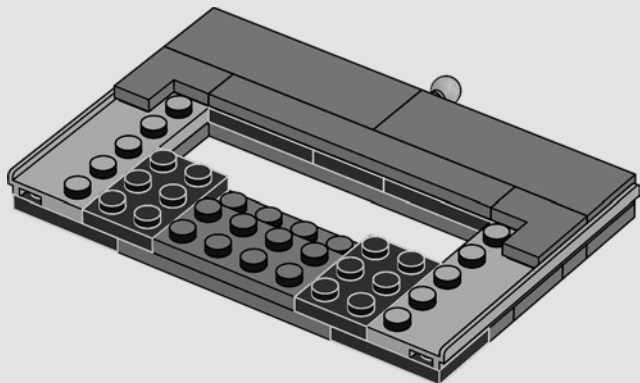


84

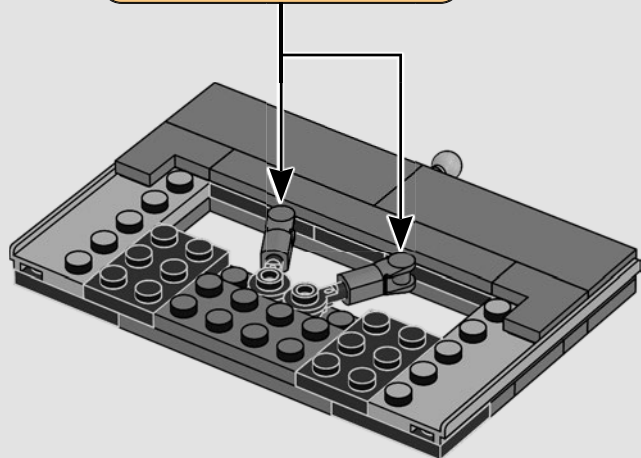
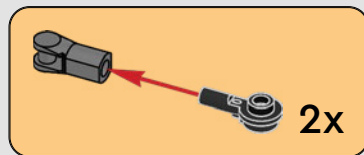


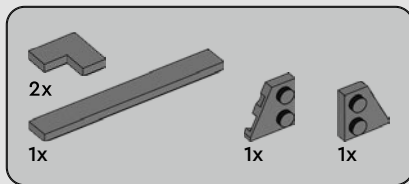


85

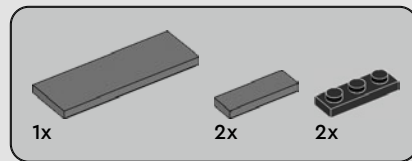
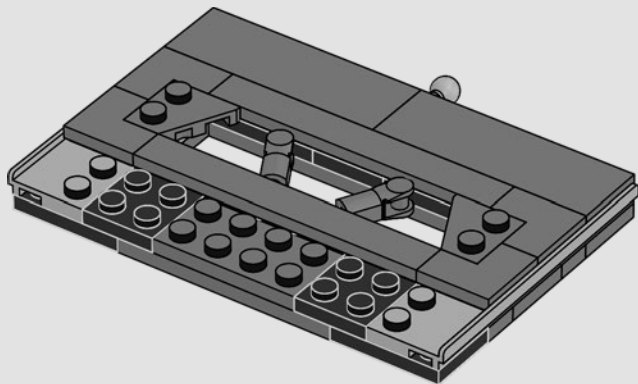


86

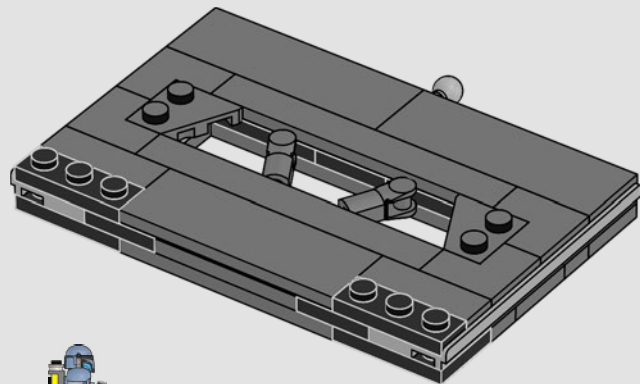




87

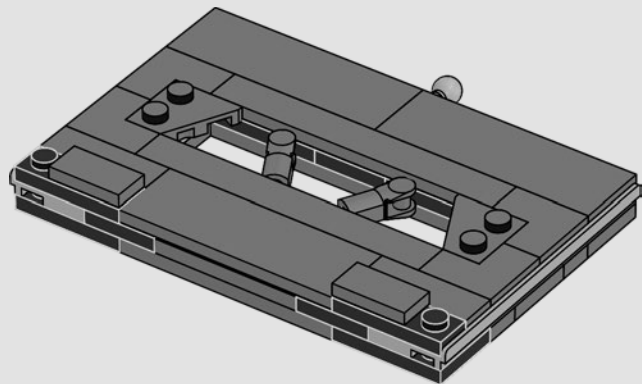


88

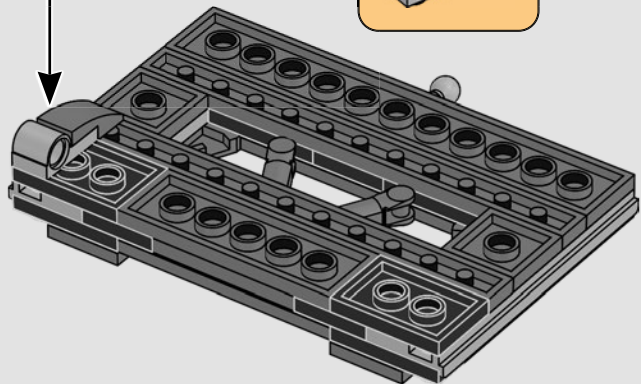
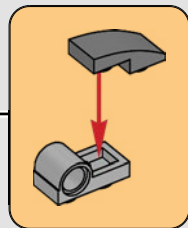




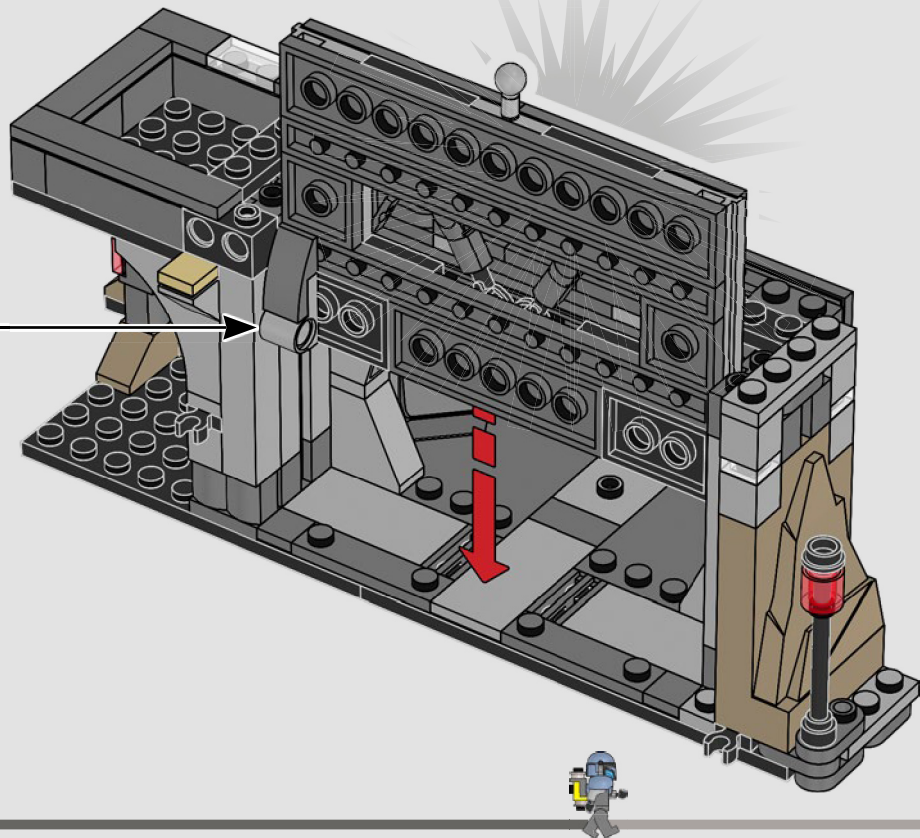
89

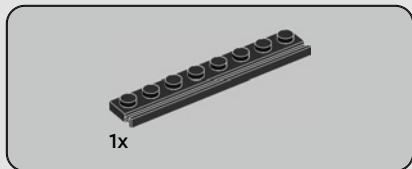


90

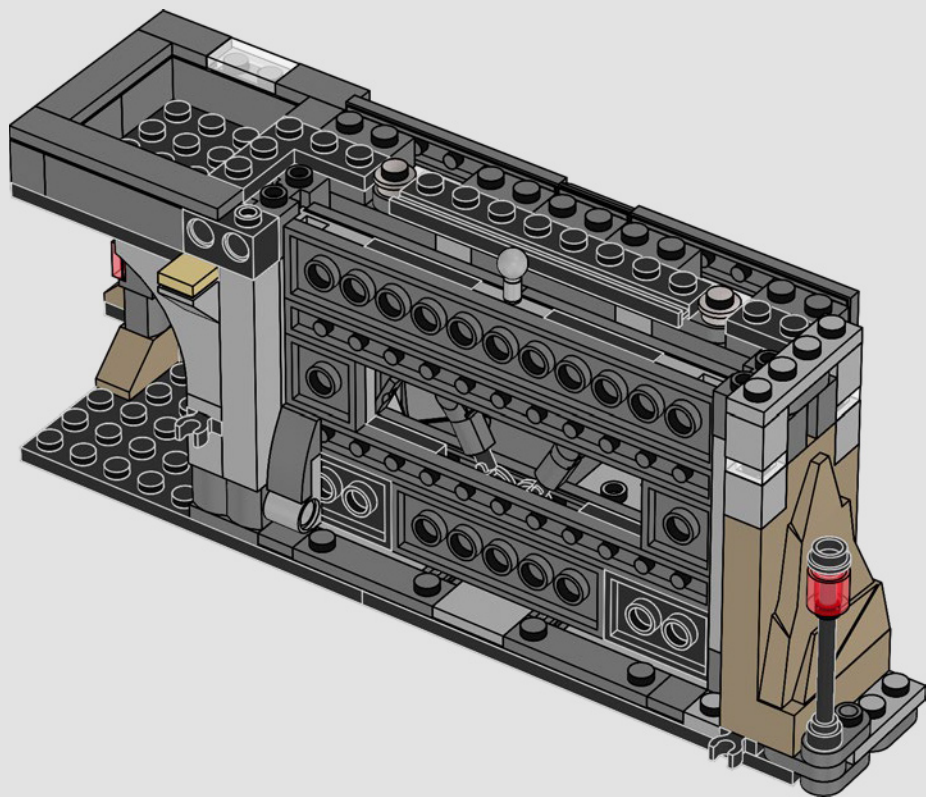


91

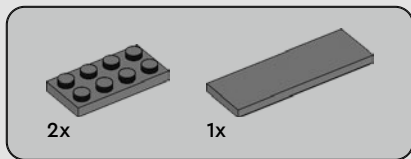




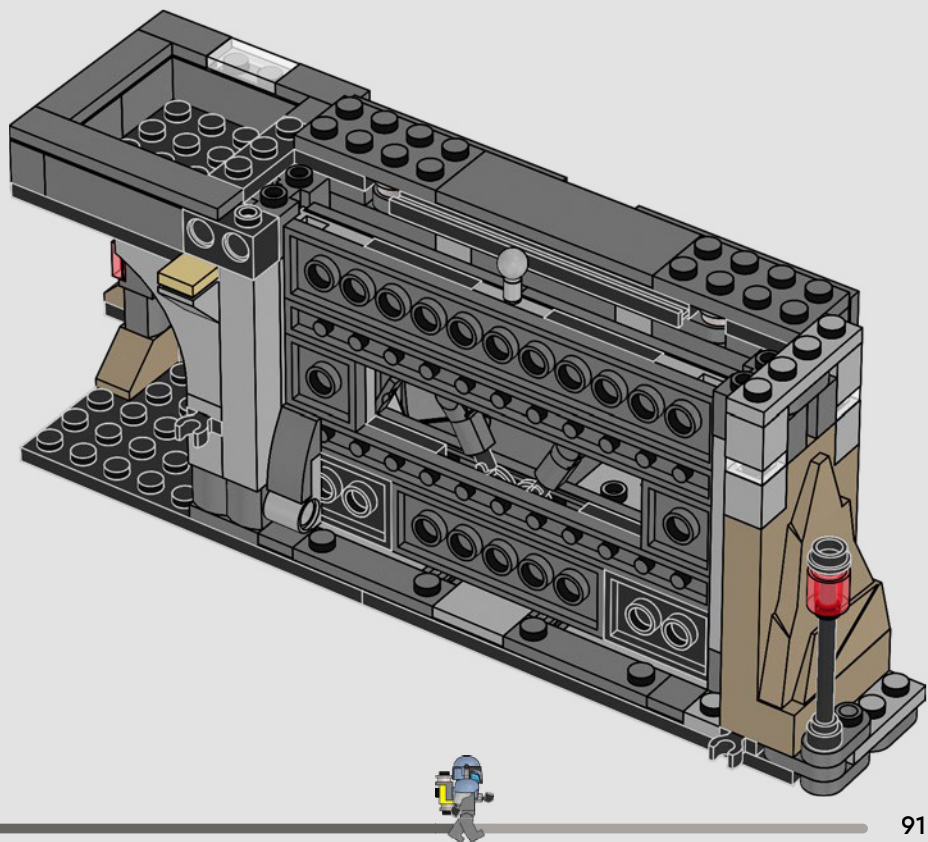
92





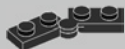


93



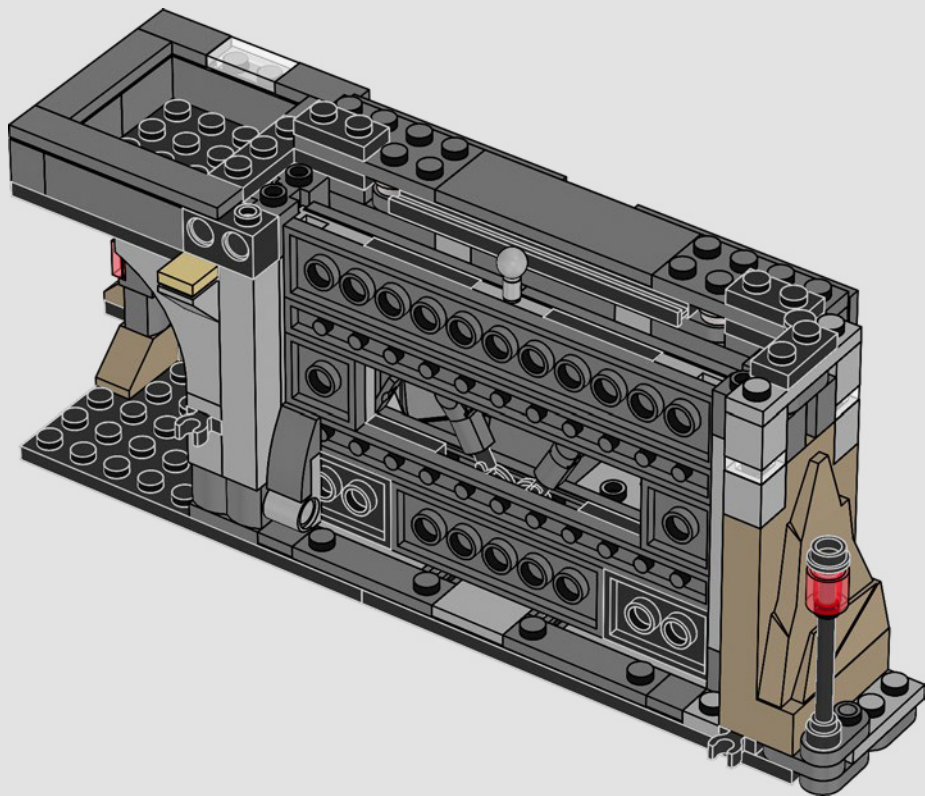


1x



1x

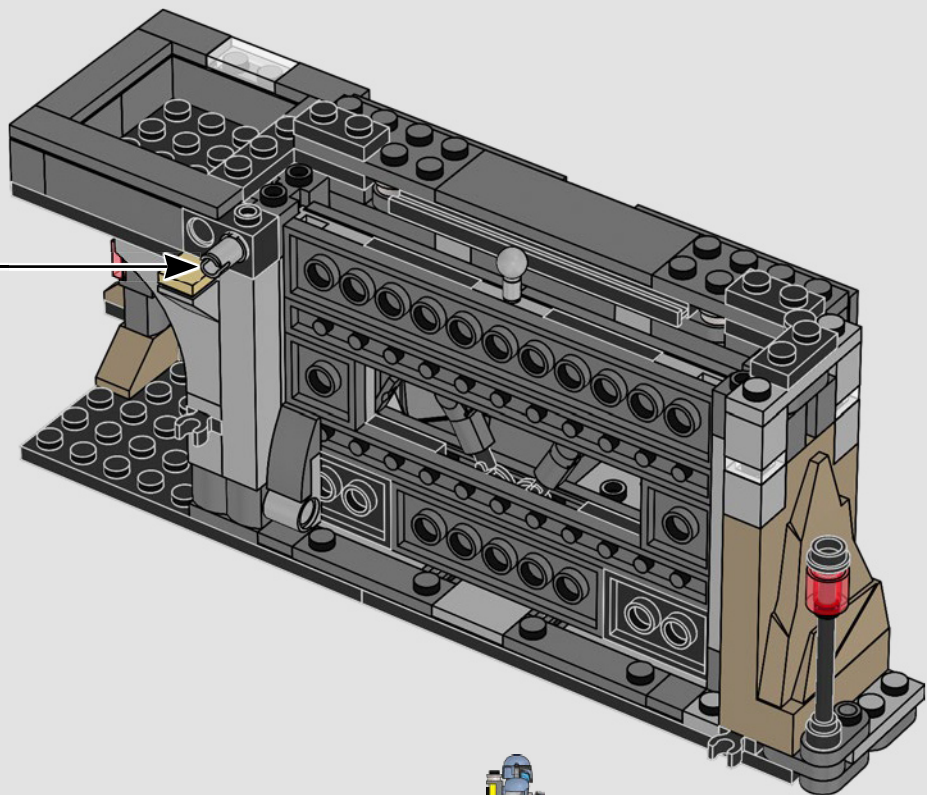
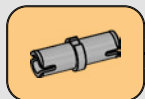
94

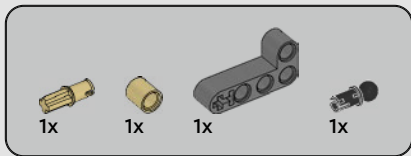




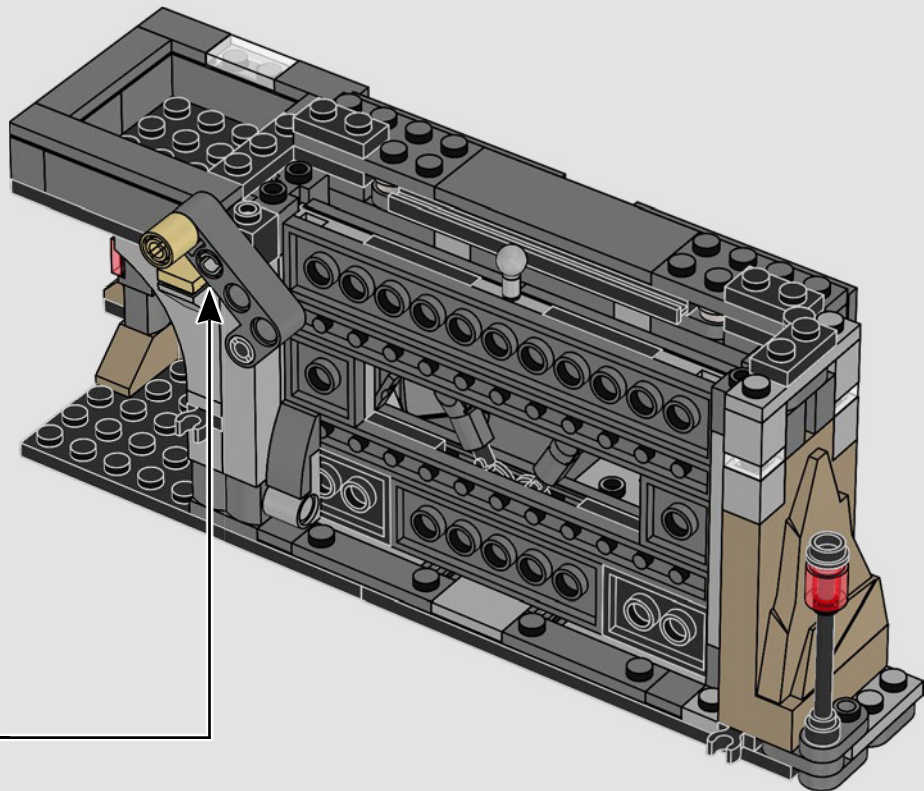
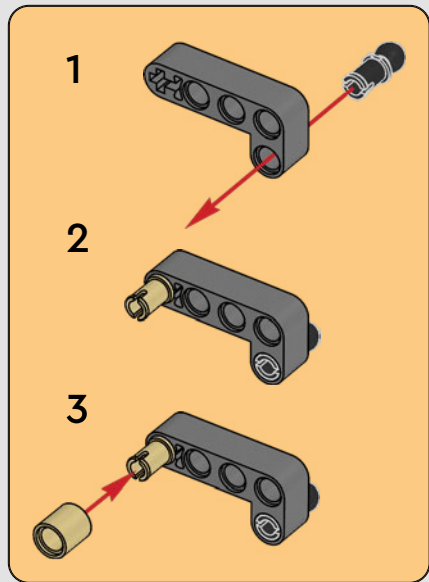
1x

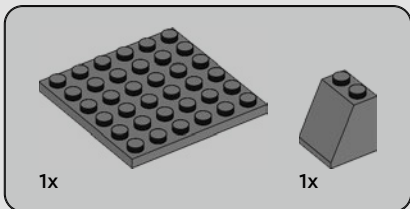
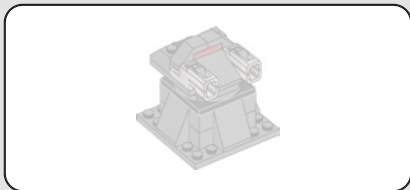
95



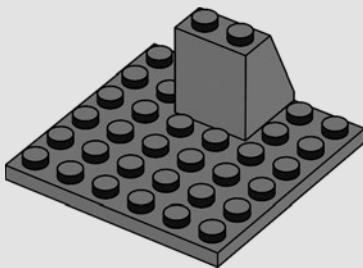


96





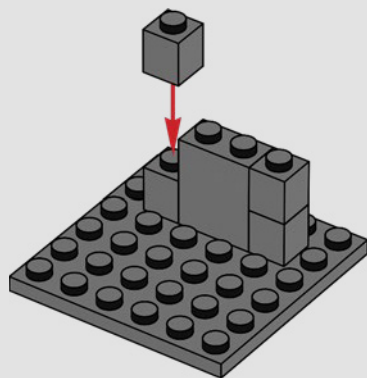
97





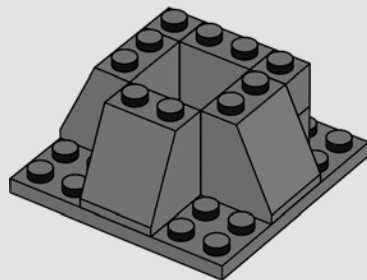
4x

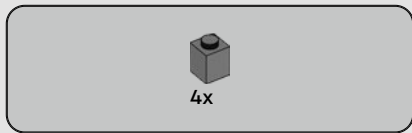
98



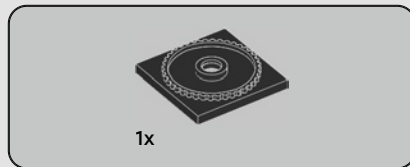
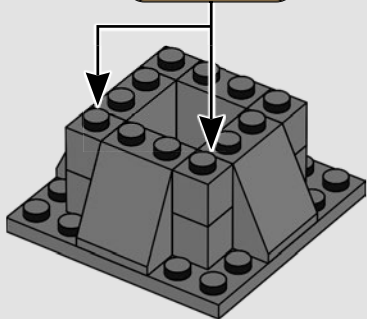
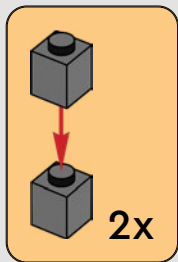
3x

99

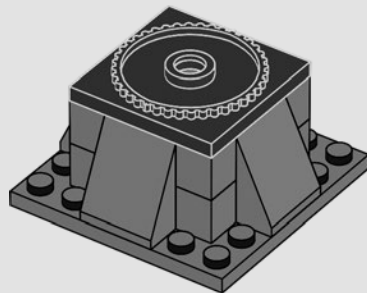




100

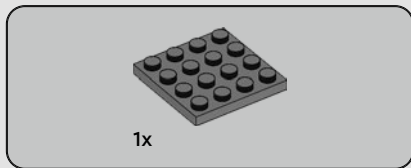
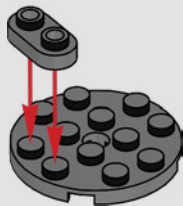


101

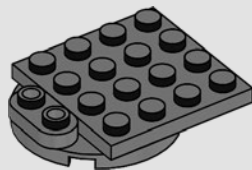




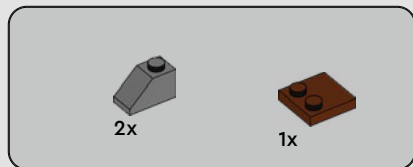
102



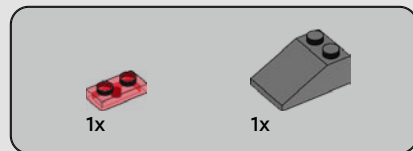
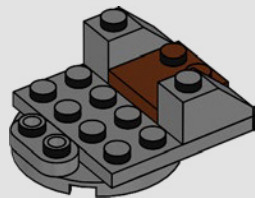
103



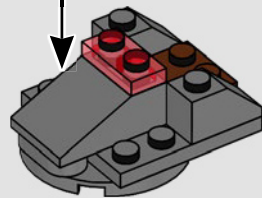
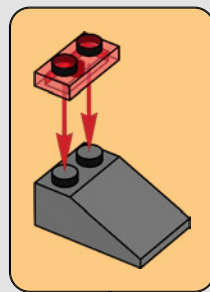




104

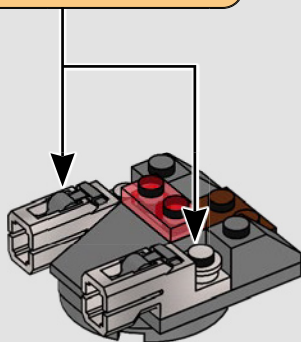
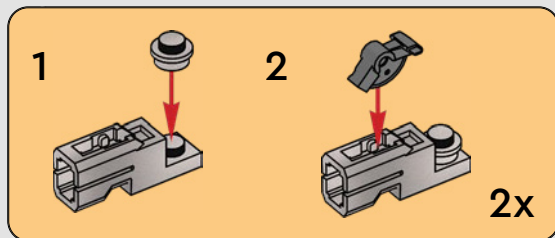


105





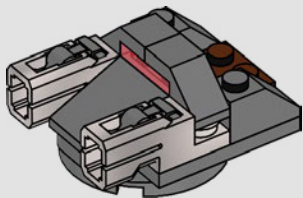
106



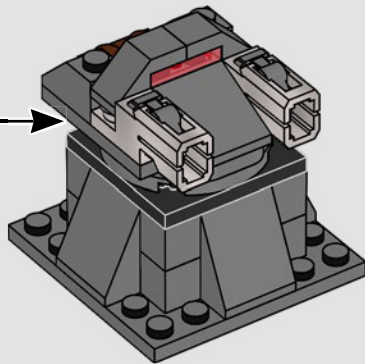


2x

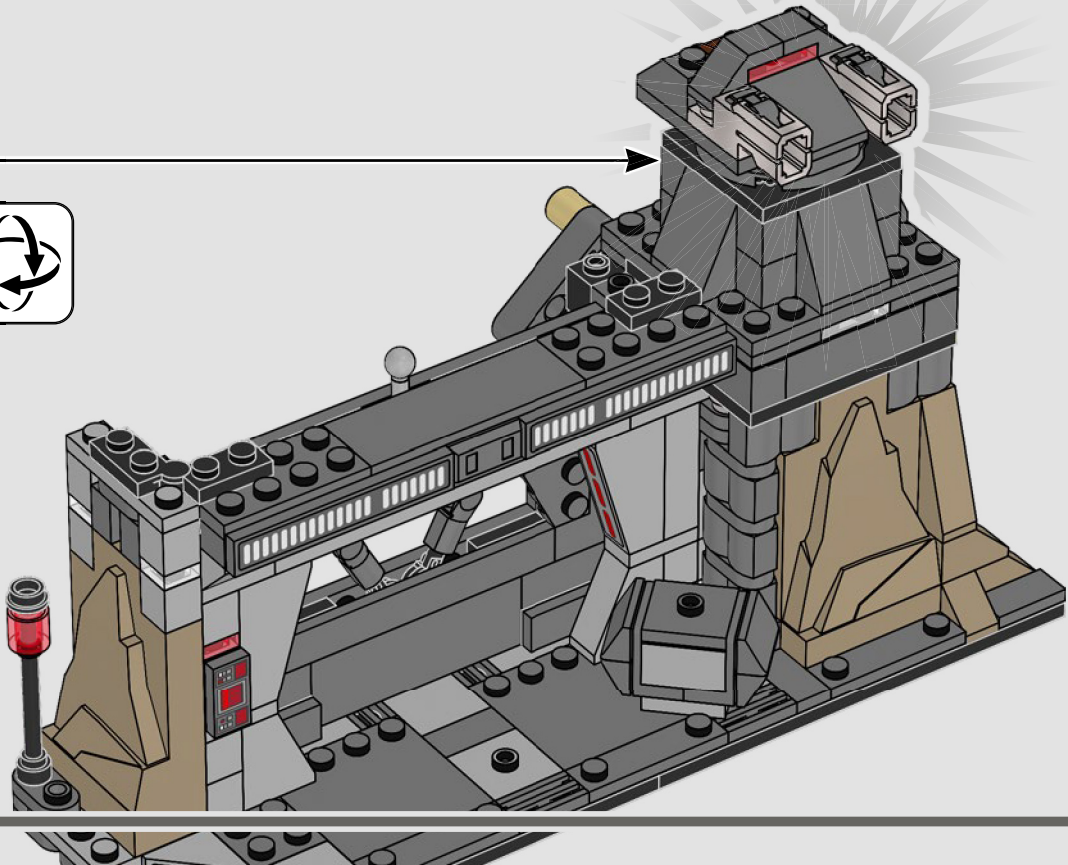
107



108



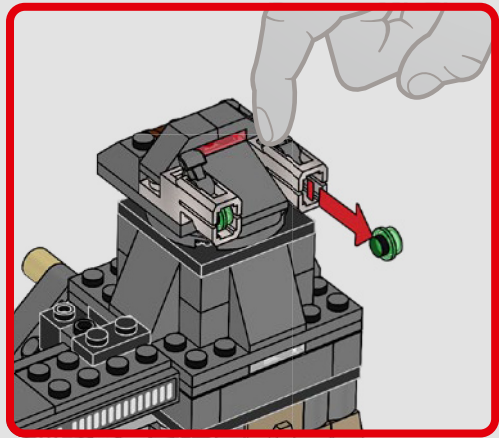
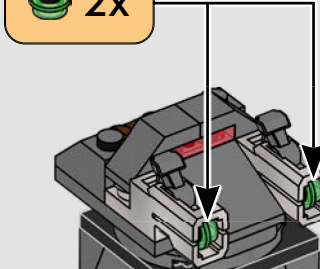
109

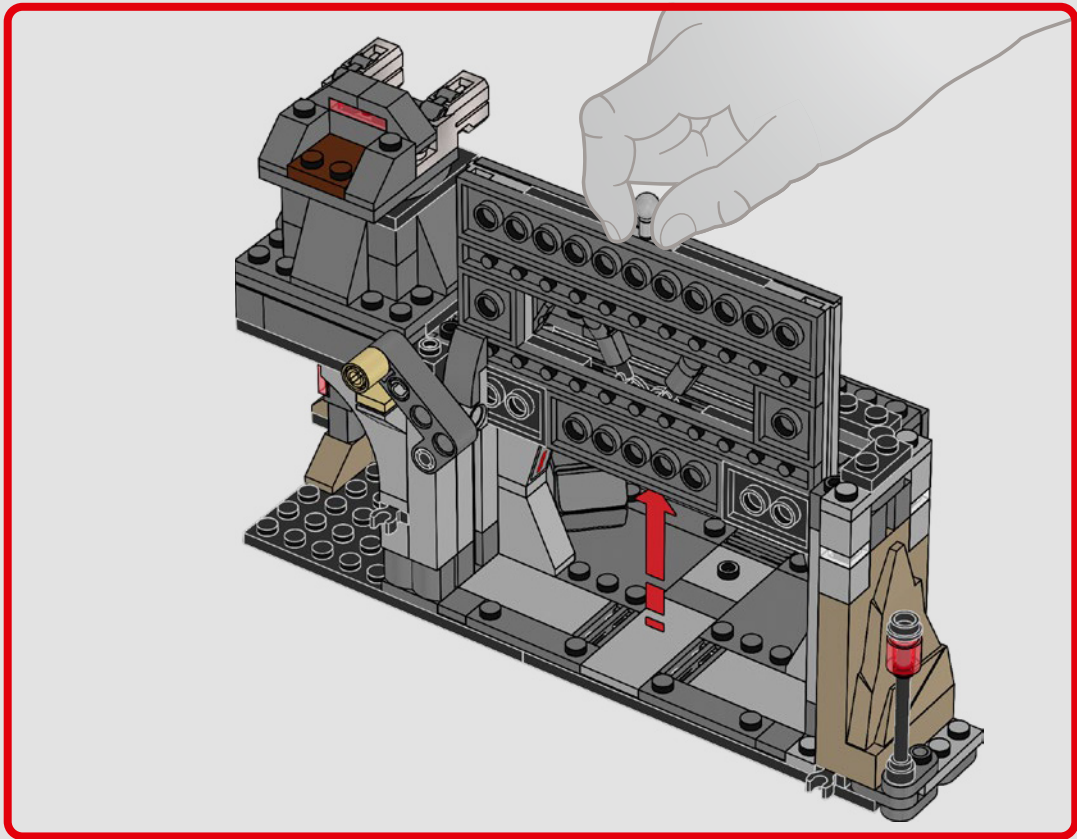


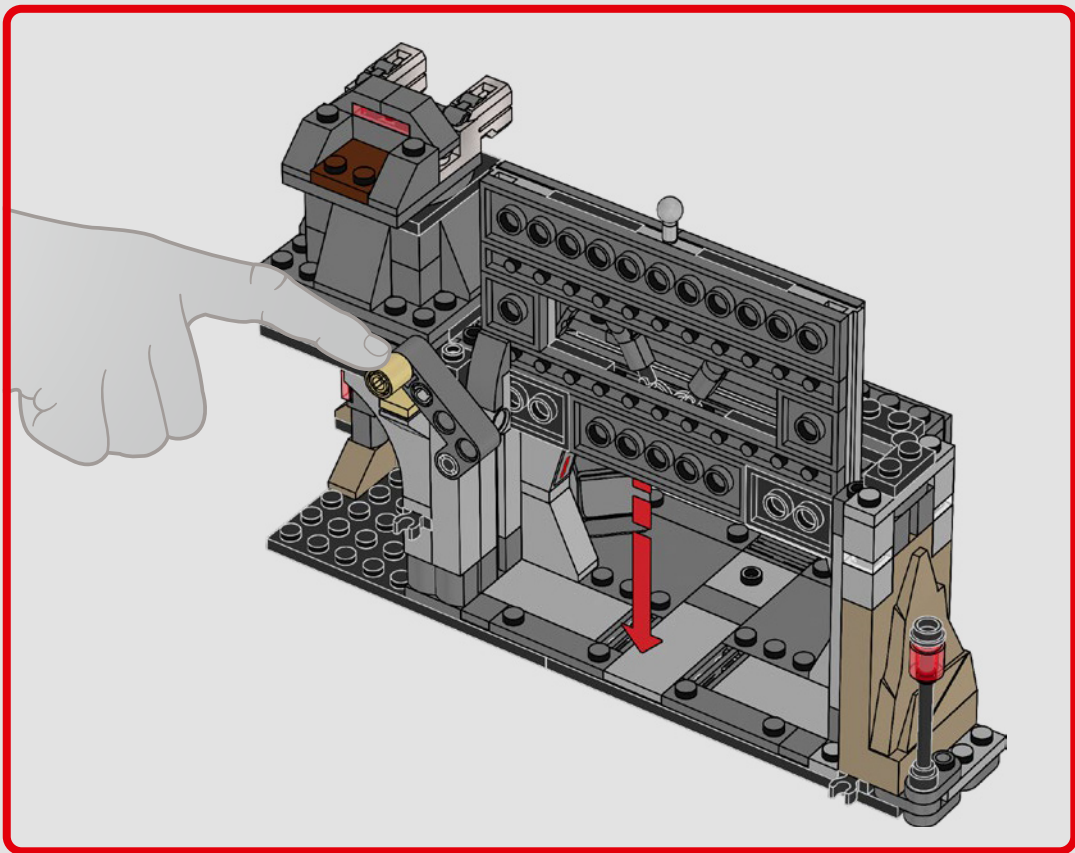
102



110

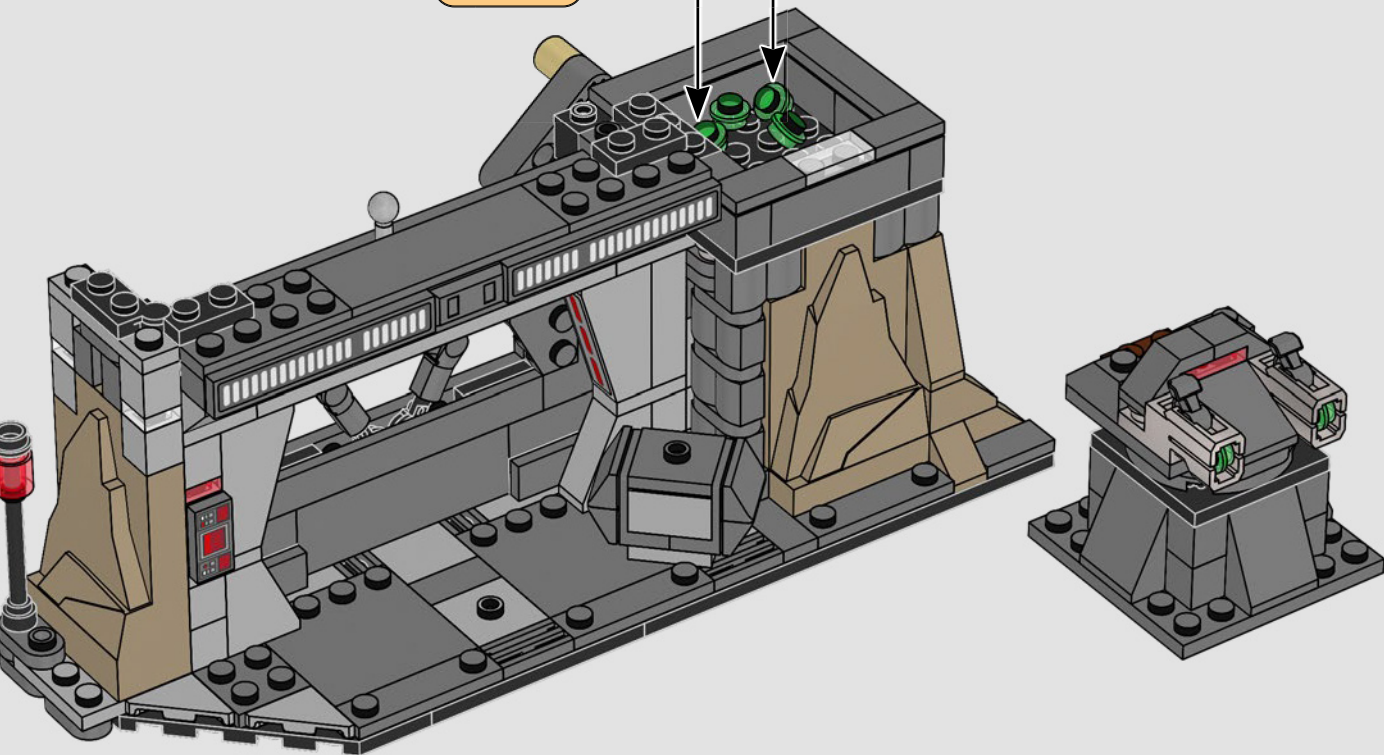




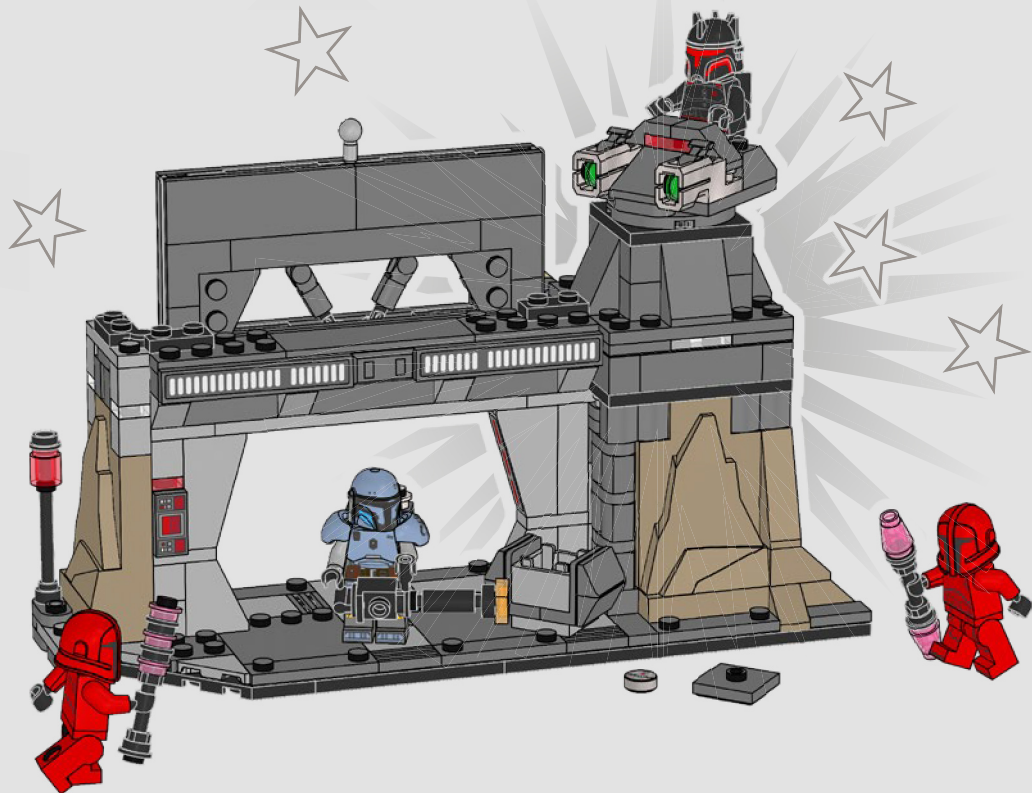




 4x









# STAR WARS



**COMBINE SETS TO EXPAND PLAY!**  
**DES ENSEMBLES À COMBINER**  
**POUR ENCORE PLUS DE JEU !**  
**¡COMBINA SETS PARA JUGAR EN GRANDE!**



**75373**



**75386**



# STAR WARS

75386



75390





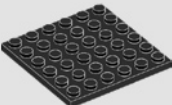
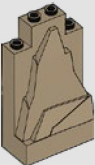





















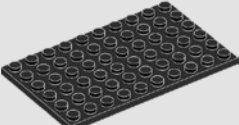






























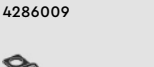












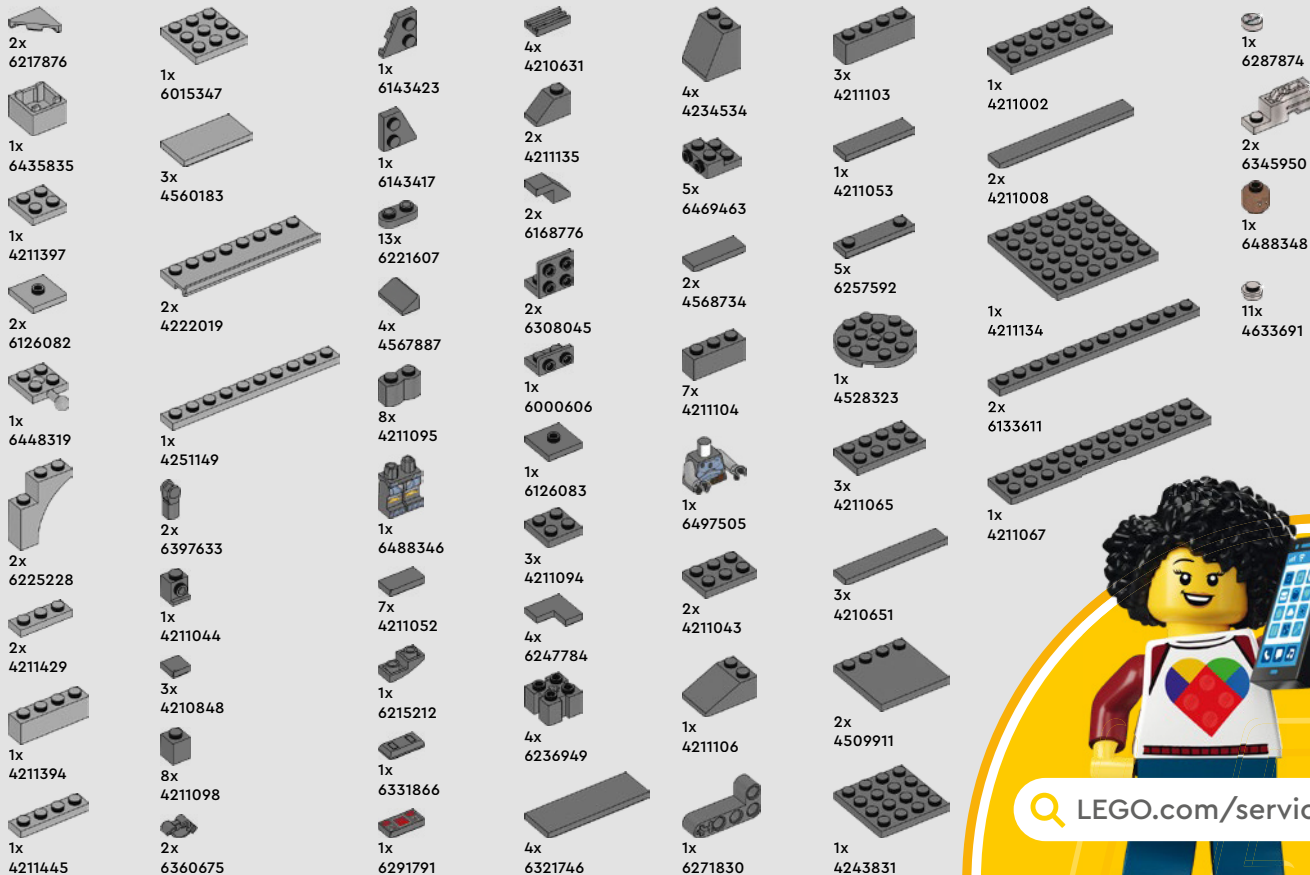
75391



75373



|   |  |  |  |   |  |   |  |
|---|--|--|--|---|--|---|--|
| <br>1x<br>6167923    | <br>2x<br>6331084   | <br>2x<br>6330189   | <br>2x<br>6174917   | <br>2x<br>395826    | <br>1x<br>6240212   |                     | <br>1x<br>4211807   |
| <br>1x<br>4125253  | <br>6x<br>614126  | <br>1x<br>6488350 | <br>1x<br>6439175 | <br>2x<br>244526   | <br>6x<br>6240221 | <br>1x<br>6252040  | <br>1x<br>6168633 |
| <br>1x<br>4666579  | <br>1x<br>6186675 | <br>3x<br>302326  | <br>1x<br>6416444 | <br>2x<br>244526   | <br>3x<br>6240230 | <br>1x<br>6196221  | <br>4x<br>4211398 |
| <br>2x<br>6454716  | <br>1x<br>6510216 | <br>1x<br>3200026 | <br>1x<br>395726  | <br>1x<br>303326  | <br>2x<br>6337637 | <br>1x<br>6196221  | <br>1x<br>6123809 |
| <br>2x<br>6488353  | <br>1x<br>6454719 | <br>2x<br>362326  | <br>1x<br>4517986 | <br>2x<br>6252041 | <br>1x<br>6488344 | <br>11x<br>4211389 | <br>5x<br>4211437 |
| <br>2x<br>6497762 | <br>1x<br>6518816 | <br>1x<br>6497517 | <br>1x<br>4106977 | <br>1x<br>6251294  | <br>1x<br>6488354 | <br>1x<br>6225242  | <br>2x<br>4216248 |
| <br>2x<br>6488351  | <br>1x<br>6170566 | <br>1x<br>6488347 | <br>1x<br>4286009 | <br>1x<br>6238673  | <br>4x<br>4530678 | <br>1x<br>6061702  | <br>2x<br>4515374 |
| <br>1x<br>6185994  | <br>1x<br>4654944 | <br>4x<br>302126  | <br>1x<br>6498909 | <br>1x<br>6254248  | <br>1x<br>4653509 | <br>1x<br>4211362  | <br>2x<br>4582153 |
| <br>1x<br>6290456  | <br>1x<br>6344752 | <br>1x<br>6162892 |  | <br>1x<br>6252042  |  |   |  |
| <br>3x<br>6196548  | <br>3x<br>6196548 |  |  |   |  |   |  |




 [LEGO.com/service](https://www.LEGO.com/service)



YOU COULD  
**WIN**



Scan this QR code or go to  
**LEGO.COM/PRODUCTFEEDBACK** and give us  
your short feedback about this LEGO® set for  
a chance to win a cool LEGO prize.

Terms and Conditions apply\*



**EN: YOU COULD WIN.** Terms and Conditions apply\* **DE: Du könntest GEWINNEN.** Es gelten die Teilnahmebedingungen\* **FR: Tu pourrais GAGNER.** Des conditions s'appliquent\* **IT: Potresti VINCERE tu.** Termini e condizioni sono applicabili\* **ES: Puedes GANAR.** Aplican términos y condiciones\* **PT: Poderá GANHAR.** Aplicam-se termos e condições\* **ZH: 轻松获奖. 条款和条件适用\*** **PL: Szansa na WYGRANĄ.** Obowiązują warunki korzystania\* **CS: Máte šanci VYHRÁT.** Platí všeobecné smluvní podmínky\* **SK: Máte šancu VYHRAŤ.** Platia všeobecné zmluvné podmienky\* **HU: TE IS NYERHETSZ.** Felhasználási feltételek érvényesek\* **RO: Ai putea CÂȘTIGA.** Se aplică termeni și condiții\* **BG: Можете да СПЕЧЕЛИТЕ.** Има определени правила и условия\* **LV: Tu vari LAIMĒT.** Ir spēkā noteikumi un nosacījumi.\* **ET: Sul on võimalus VÕITA.** Kehtivad tingimused\* **LT: Jūs galite LAIMĖTI.** Taikomos sąlygos\*

\*[LEGO.com/productfeedback-terms](https://www.lego.com/productfeedback/terms)