



**BRICK
HEADZ**

WIZARDING
WORLD

40617



Harry Potter



Get excited about our new packaging!

We're switching from plastic to paper-based packaging. That's why you might find a mix of paper and plastic in our boxes!

Nos nouveaux emballages vous emballeront !

Nous passons des emballages en plastique aux emballages à base de papier. C'est pourquoi vous pourriez trouver un mélange de papier et de plastique dans nos boîtes !

¡Te presentamos nuestros nuevos empaques!

Estamos sustituyendo las bolsas de plástico por bolsas con base de papel. ¡Por eso, puedes encontrar una mezcla de papel y de plástico en nuestras cajas!

[LEGO.com/sustainable-packaging](https://www.lego.com/sustainable-packaging)



BUILDER



Apple and the Apple logo are trademarks of Apple Inc., registered in the U.S. and other countries and regions. App Store is a service mark of Apple Inc. Google Play and the Google Play logo are trademarks of Google LLC. Tencent and the Tencent logo are trademarks of Tencent Inc.

 [LEGO.com/devicecheck](https://www.lego.com/devicecheck)

EN Ask parents' permission before going online | **DE** Eltern um Erlaubnis bitten, bevor du online gehst | **FR** Demande l'autorisation d'un parent avant d'aller en ligne | **IT** Chiedi il permesso ai tuoi genitori prima di andare online | **ES** Pídeles permiso a tus papás antes de conectarte a Internet | **PT** Peça autorização aos pais antes de acederes online | **ZH** 上网前应先征得父母的同意 | **PL** Poproś rodziców o zgodę, zanim wejdiesz do Internetu | **CS** Než půjdeš na internet, požádej rodiče o svolení | **SK** Skôr než pôjdeš na internet, vypýtaj si povolenie od rodičov | **HU** Kérj szülői engedélyt, mielőtt online csatlakoznál! | **RO** Cere permisiunea părinților înainte de a te conecta online | **BG** Поискайте разрешение от родител, преди да влезете онлайн | **LV** Pirms došanās tiešsaistē palūdz atļauju vecākiem | **ET** Enne Interneti kasutamist küsi vanematelt luba | **LT** Prieš prisijungdami prie interneto, atsiklauskite tėvų







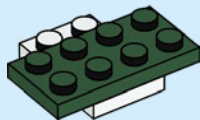
1x

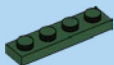
1



1x

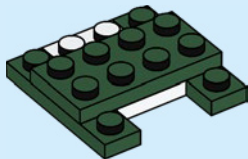
2





2x

3

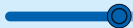
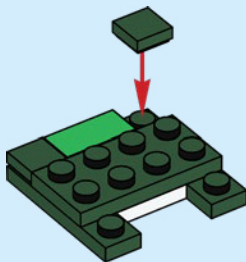


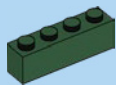
1x



2x

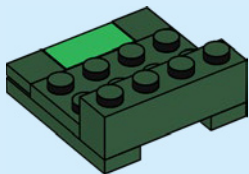
4





1x

5

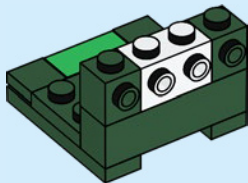


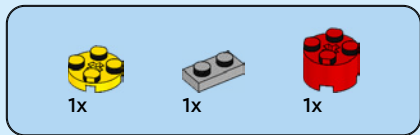
2x



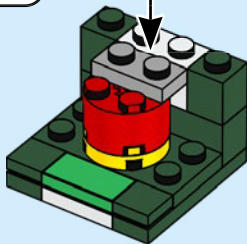
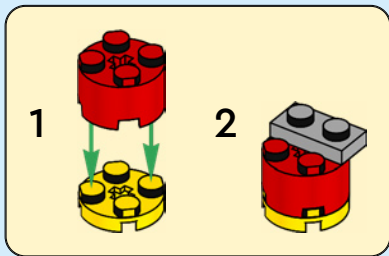
1x

6





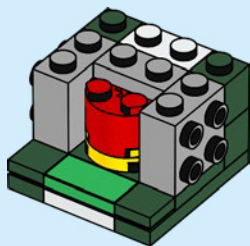
7

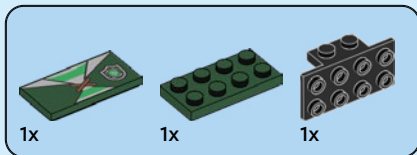




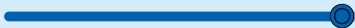
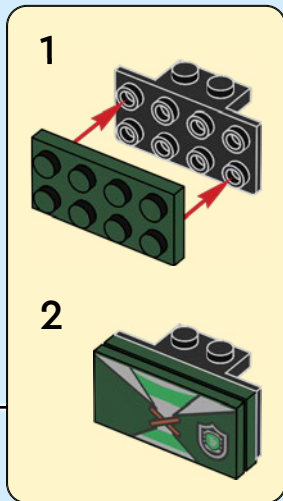
2x

8





9





1x

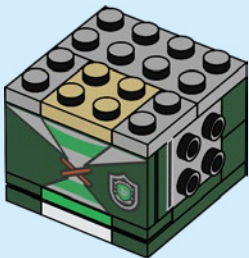


1x



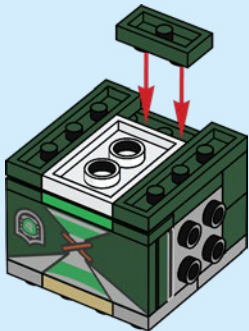
2x

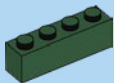
10



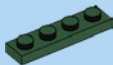
1x

11



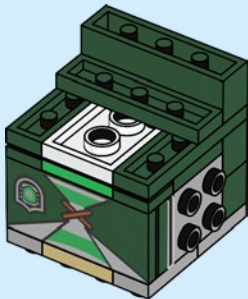


1x



1x

12



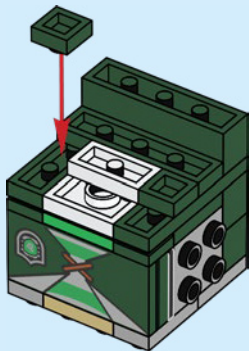


1x



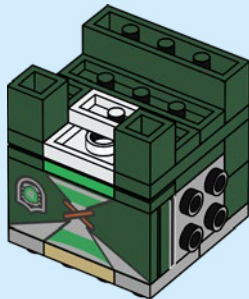
2x

13



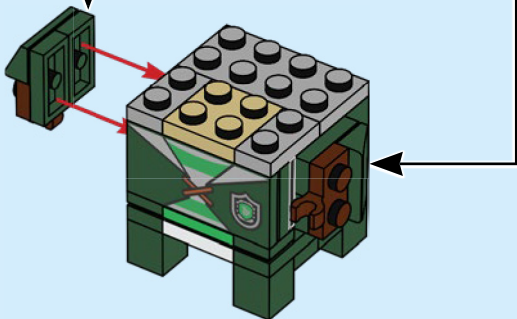
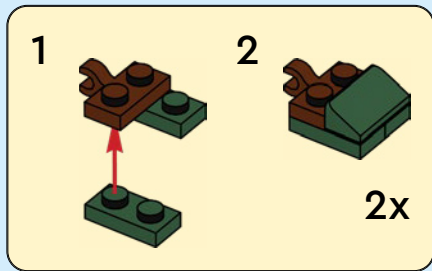
2x

14





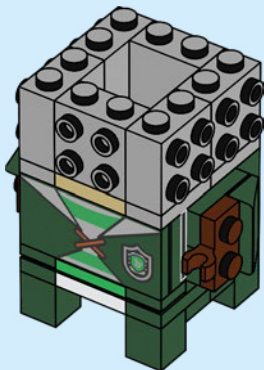
15





6x

16





2x

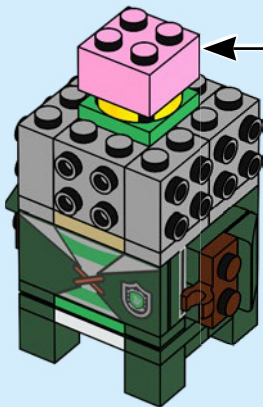


1x

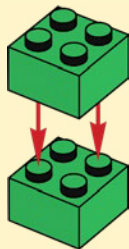


1x

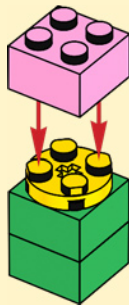
17



1



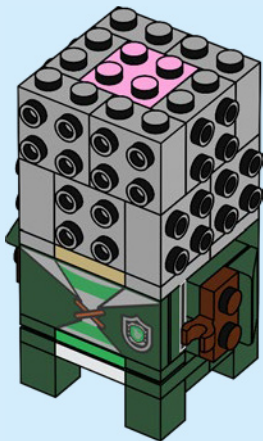
2



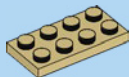


6x

18

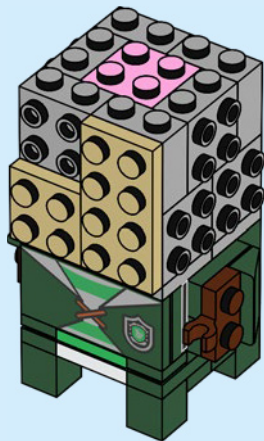


1x



1x

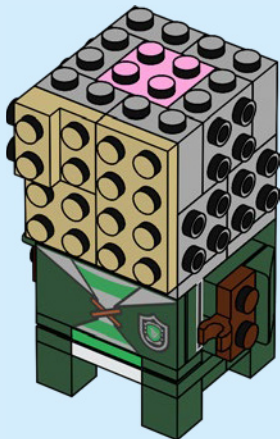
19





1x

20



1x

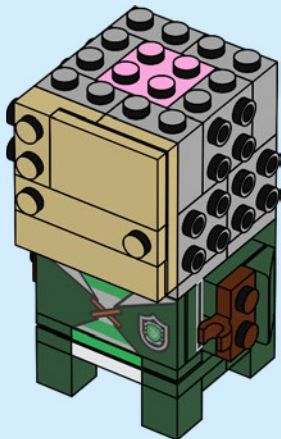


1x



1x

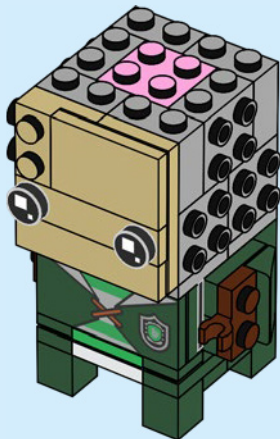
21





2x

22

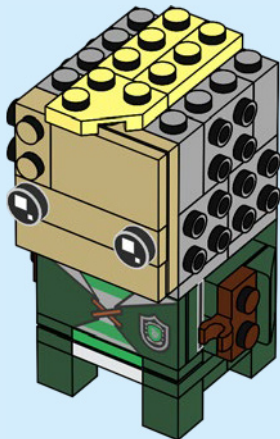


2x



1x

23



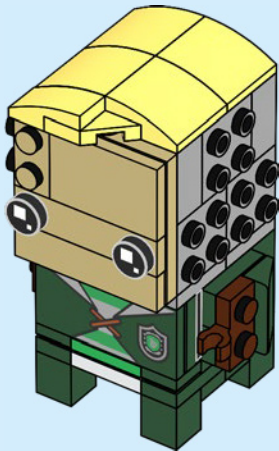


1x



4x

24



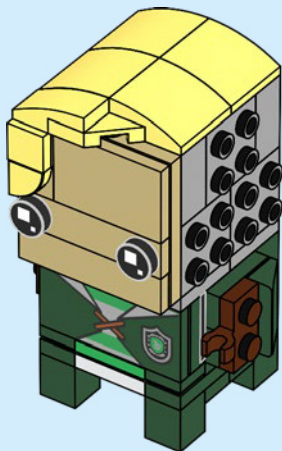


1x



1x

25



1x

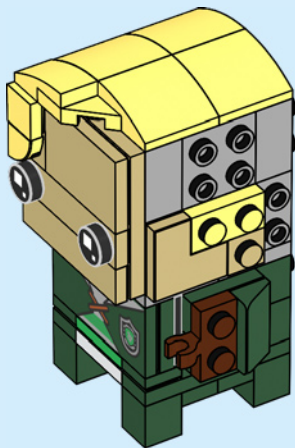


1x



1x

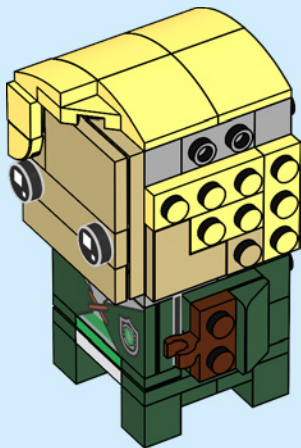
26





2x

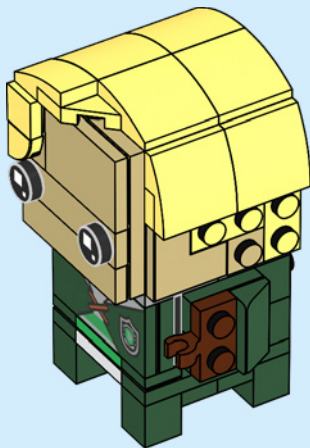
27





2x

28

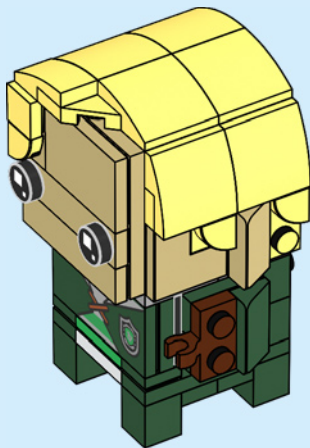


1x



2x

29



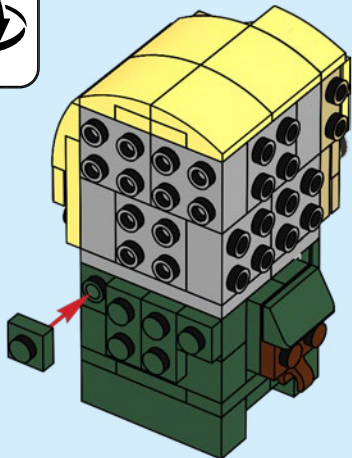
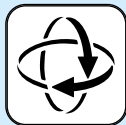


2x



2x

30



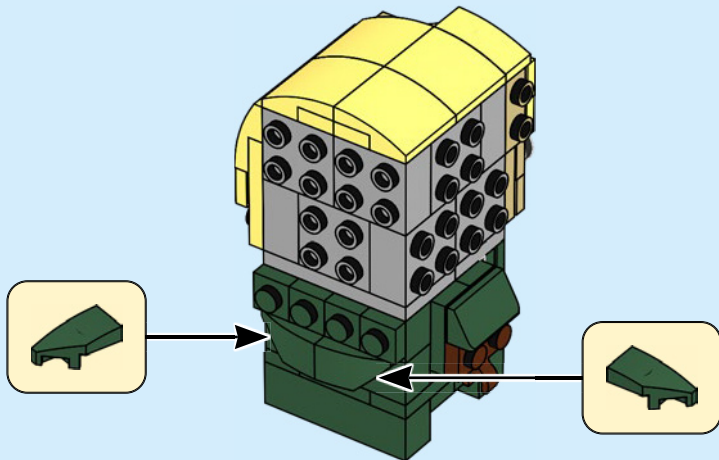


1x



1x

31





1x



1x



1x

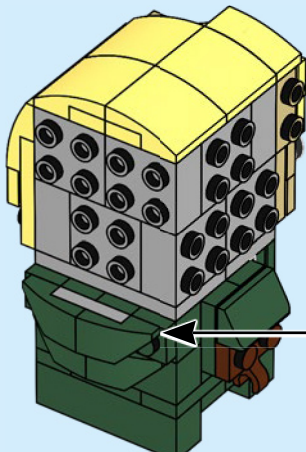
1

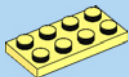


2



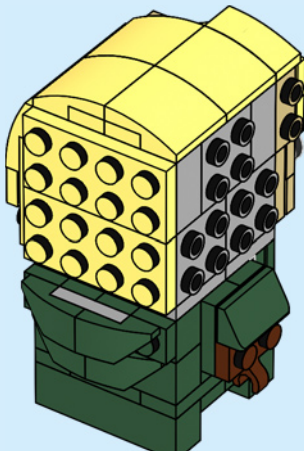
32





2x

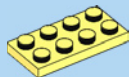
33



1x

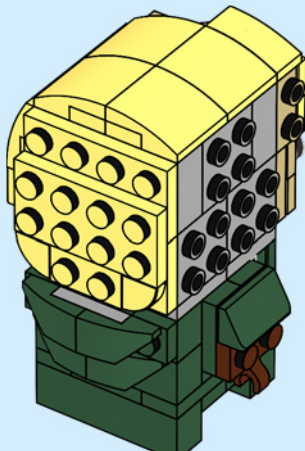


2x



1x

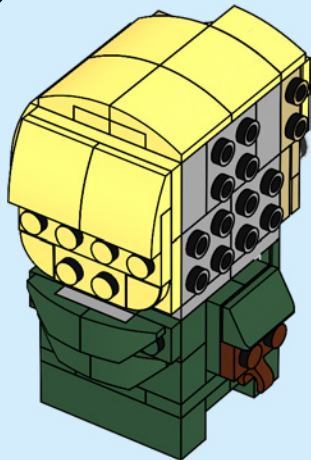
34





2x

35

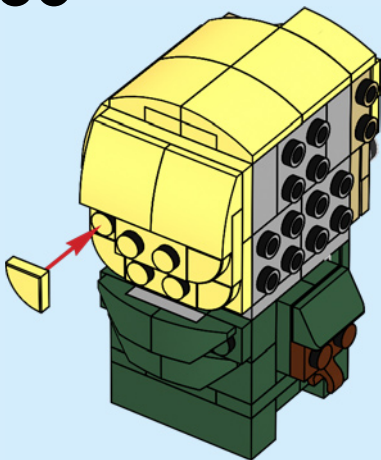


1x



2x

36





1x

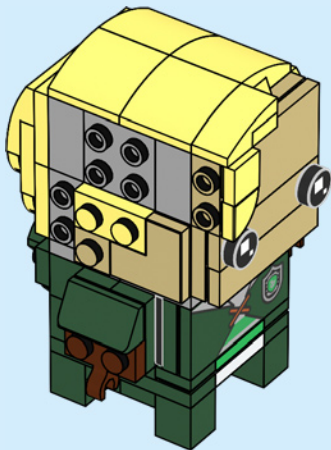
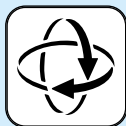


1x



1x

37



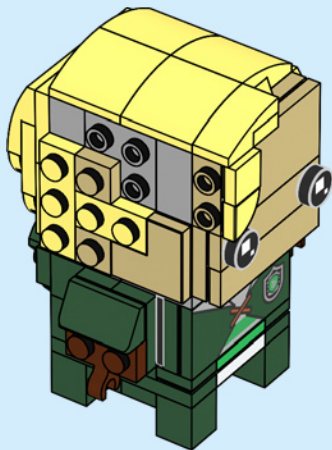


1x



1x

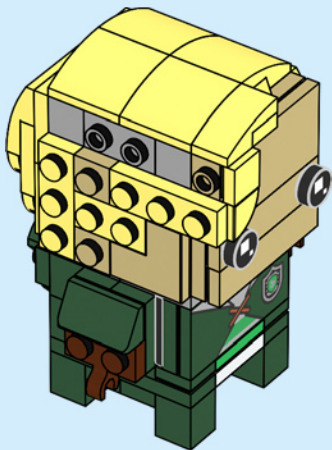
38





1x

39

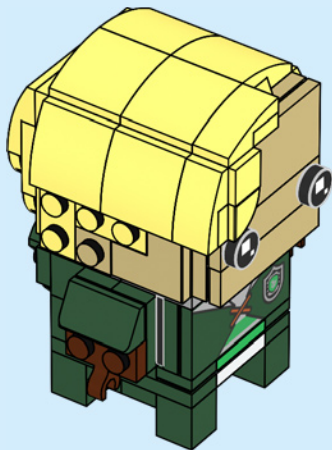


1x



2x

40



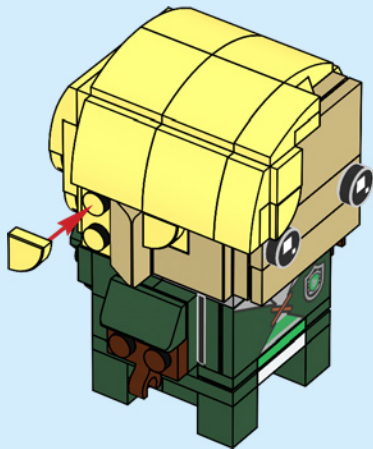


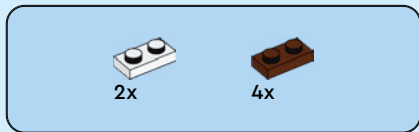
1x



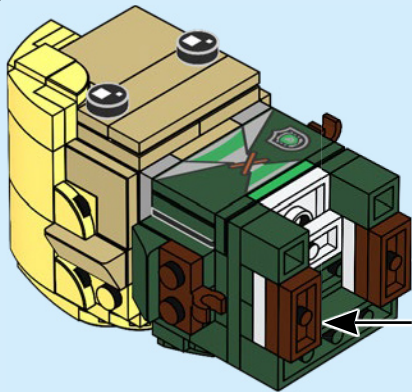
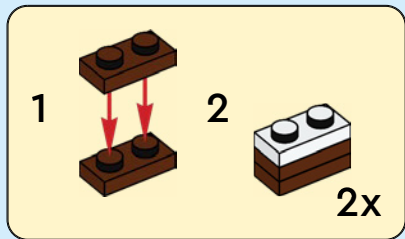
2x

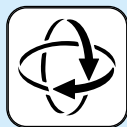
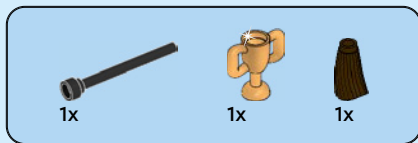
41



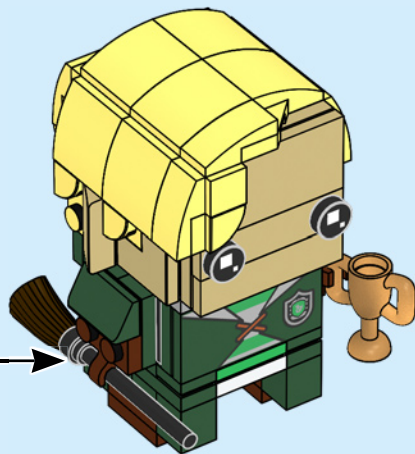
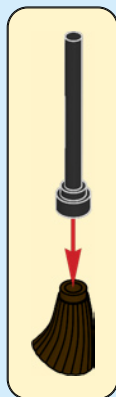


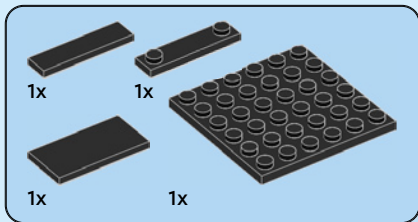
42



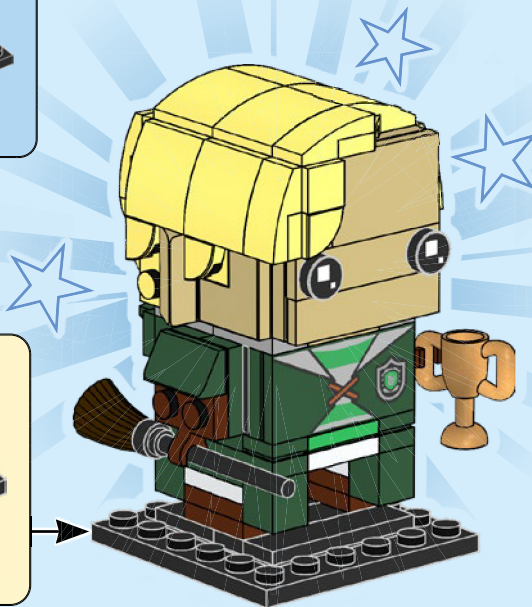
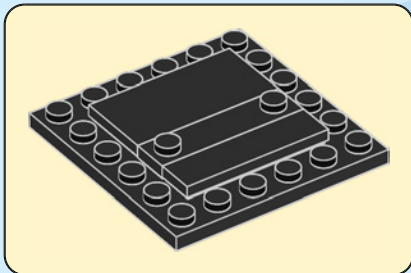


43





44



Create your own
**Hogwarts™
Castle**

Crée ton propre
**château
de Poudlard**

Crea tu propio
**Castillo
de Hogwarts™**



76402



76401



76413



76398



Each set sold separately and available for different periods of time.
Les ensembles sont vendus séparément et à des périodes différentes.
Cada set se vende por separado y está disponible durante un cierto período de tiempo.



76386



76415



76389





2x
6055222



2x
4521915



2x
6055171



4x
6055169



2x
6214814



2x
6214813



2x
6168574



7x
6013102



2x
4245571



3x
6020923



2x
4586057



1x
6445161



28x
6123809



4x
4211398



1x
6013102



13x
6149677



3x
4221744



1x
6290397



1x
6290396



2x
6035291



4x
6313124



15x
4211150



9x
6069984



1x
6311210



5x
4211257



2x
4216695



3x
6146858



2x
4211186



1x
4243838



1x
6275877



4x
6201647



1x
6298528



2x
6147726



10x
6296487



6x
6296492



3x
6296524



9x
6228969



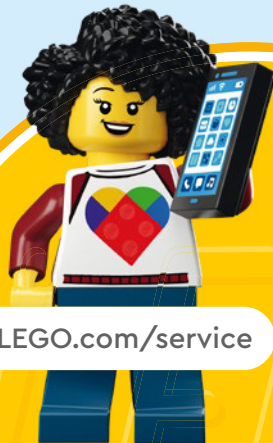
1x
6181575



2x
6380013



1x
4622062



LEGO.com/service

YOU COULD

WIN



Scan this QR code or go to
LEGO.COM/PRODUCTFEEDBACK and give us
your short feedback about this LEGO® set
for a chance to win a cool LEGO prize.
Terms and Conditions apply*

EN: YOU COULD WIN. Terms and Conditions apply* **DE: Du könntest GEWINNEN.** Es gelten die Teilnahmebedingungen* **FR: Tu pourrais GAGNER.** Des conditions s'appliquent* **IT: Potresti VINCERE tu.** Termini e condizioni sono applicabili* **ES: Puedes GANAR.** Aplican términos y condiciones* **PT: Poderá GANHAR.** Aplicam-se termos e condições* **ZH: 轻松获奖. 条款和条件适用*** **PL: Szansa na WYGRANĄ.** Obowiązują warunki korzystania* **CS: Máte šanci VYHRÁT.** Platí všeobecné smluvní podmínky* **SK: Máte šancu VYHRÁT.** Platia všeobecné zmluvné podmienky* **HU: TE IS NYERHETSZ.** Felhasználási feltételek érvényesek* **RO: Ai putea CÂȘTIGA.** Se aplică termenii și condiții* **BG: Можете да СПЕЧЕЛИТЕ.** Има определени правила и условия* **LV: Tu vari LAIMĒT.** Ir spēkā noteikumi un nosacījumi.* **ET: Sul on võimalus VÕITA.** Kehtivad tingimused* **LT: Jūs galite LAIMĖTI.** Taikomos sąlygos*

*[LEGO.com/productfeedback/terms](https://www.lego.com/productfeedback/terms)

LEGO and the LEGO logo are trademarks of the/son des marques de commerce du/son marcas registradas de LEGO Group. ©2023 The LEGO Group.
WIZARDING WORLD and all related trademarks, characters, names,
and indicia are © & ™ Warner Bros. Entertainment Inc. Publishing Rights © JKR. (s23)

6466947