



SPORTS

3540



4224105

3540



3541



3542



3543





3540 Puck Passer



3541 Slap Shot



3542 Flip Shot



3543 Slammer Goalie



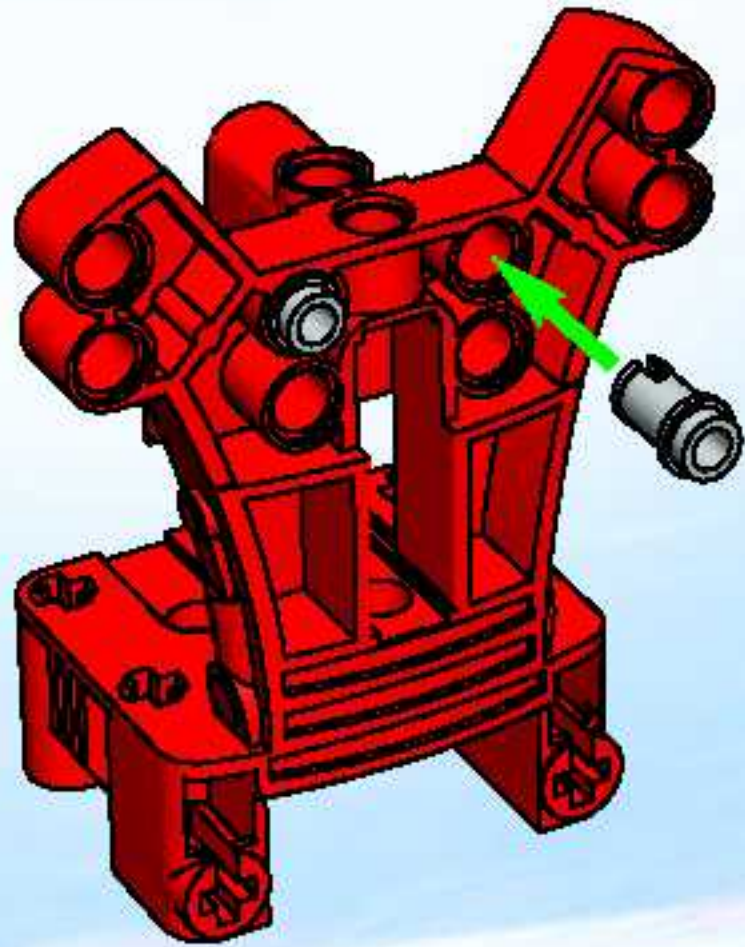
3544 Game Set



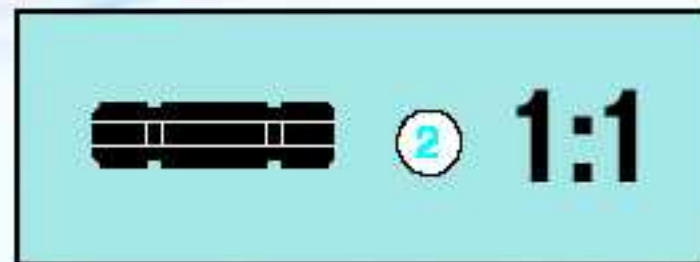
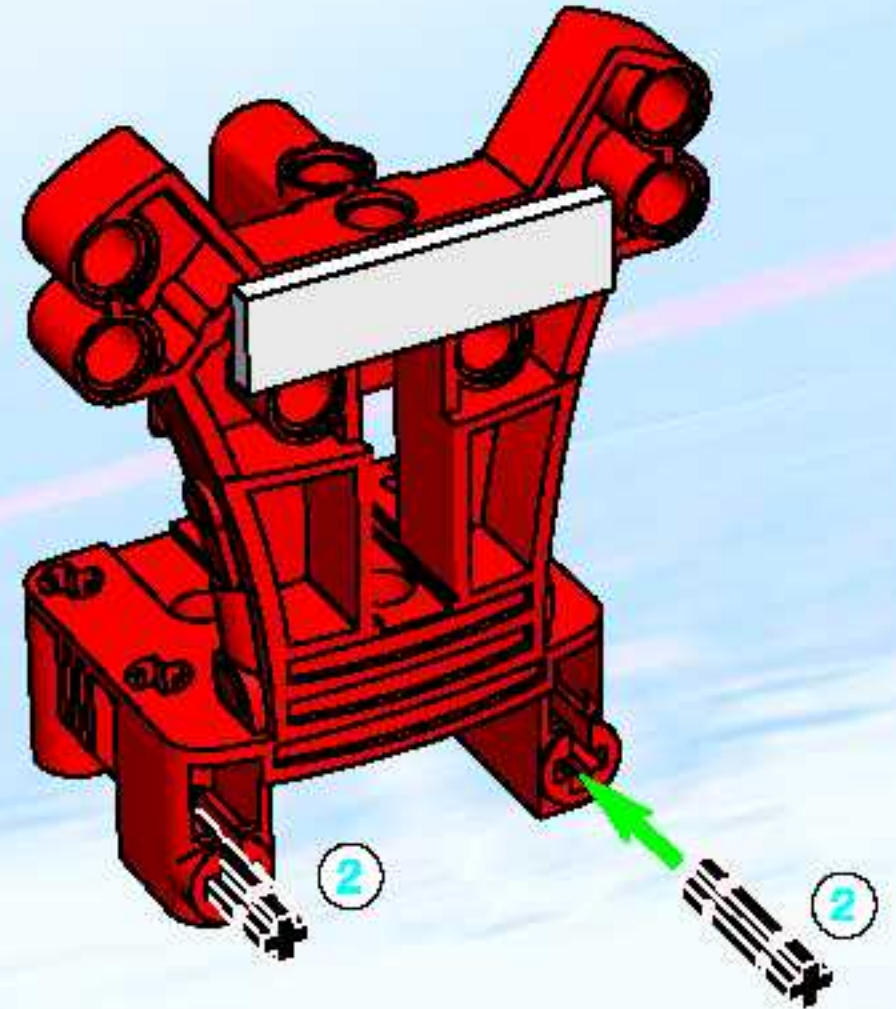
3545 Puck Feeder



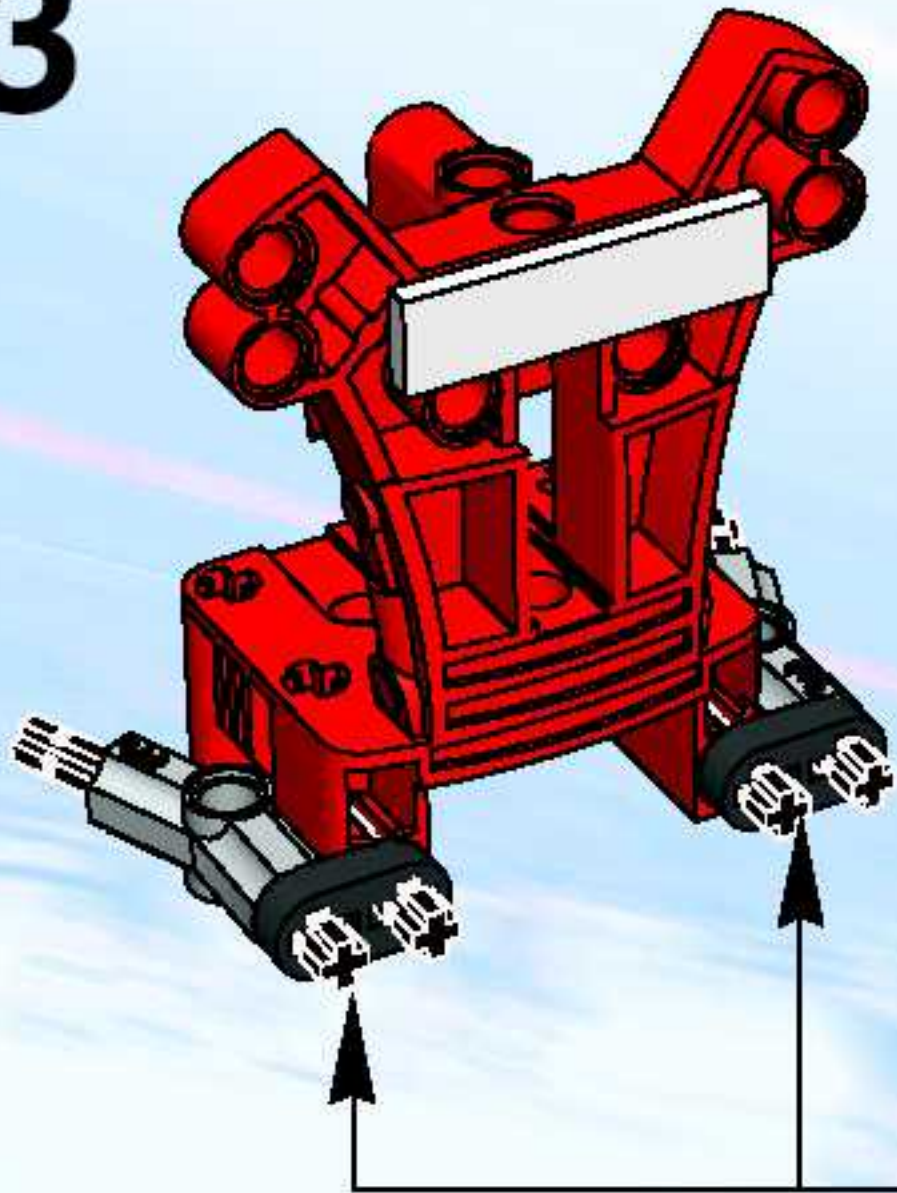
1

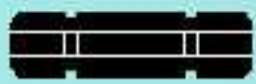


2



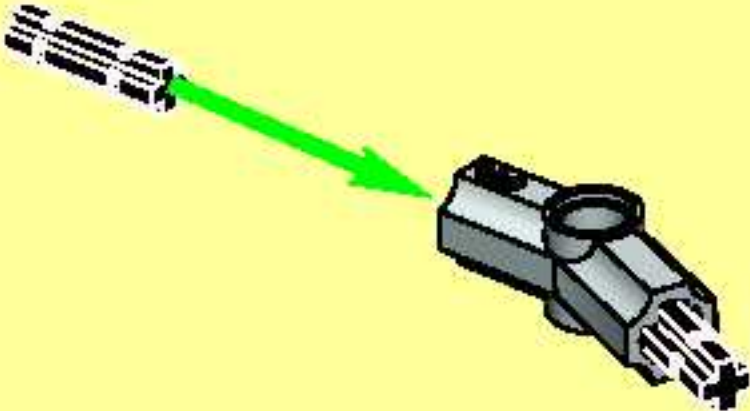
3



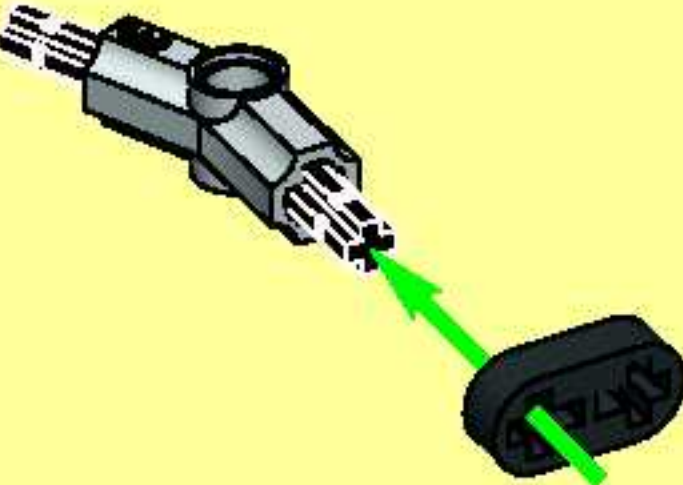
 ② 1:1

1

②

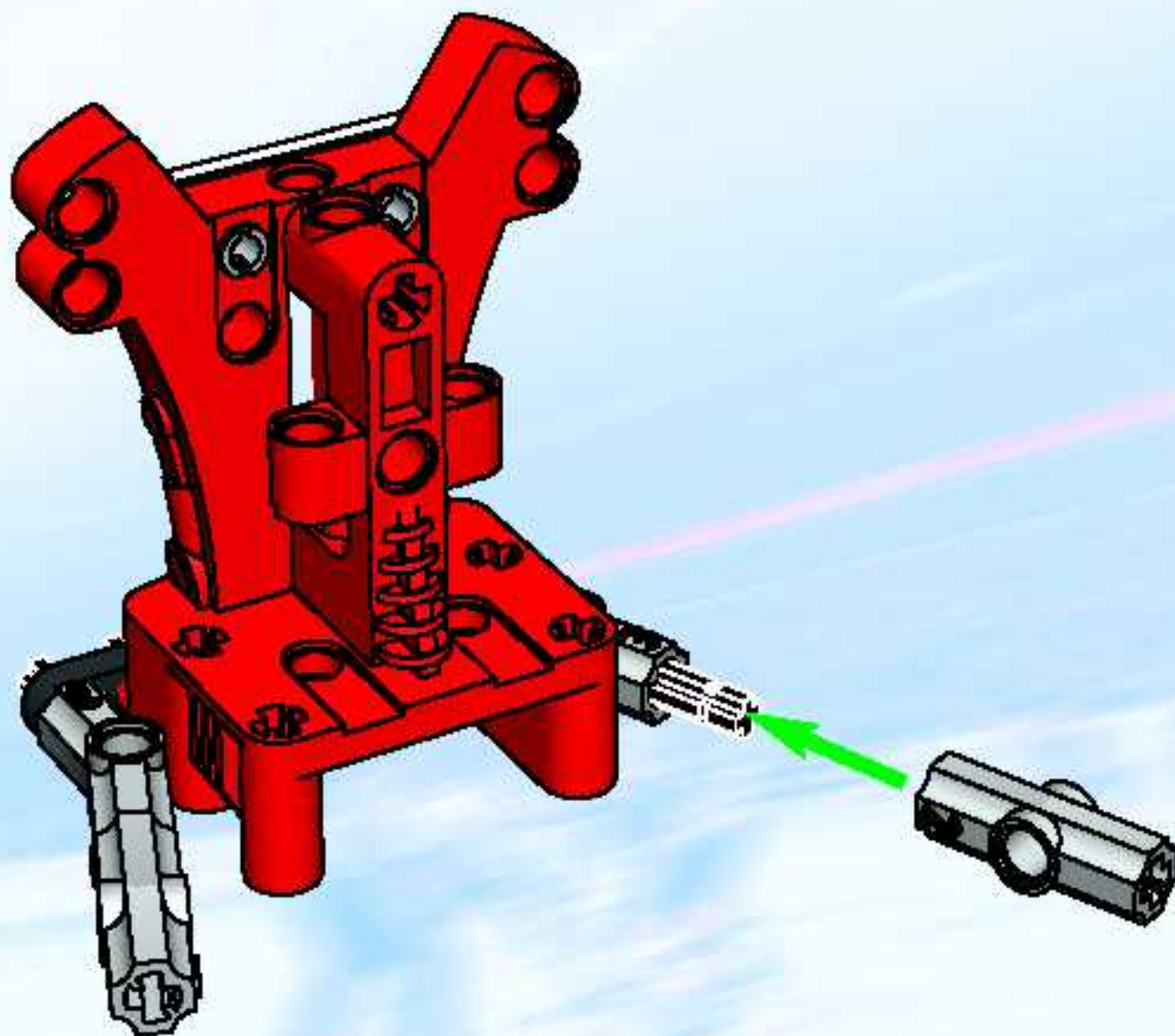


2

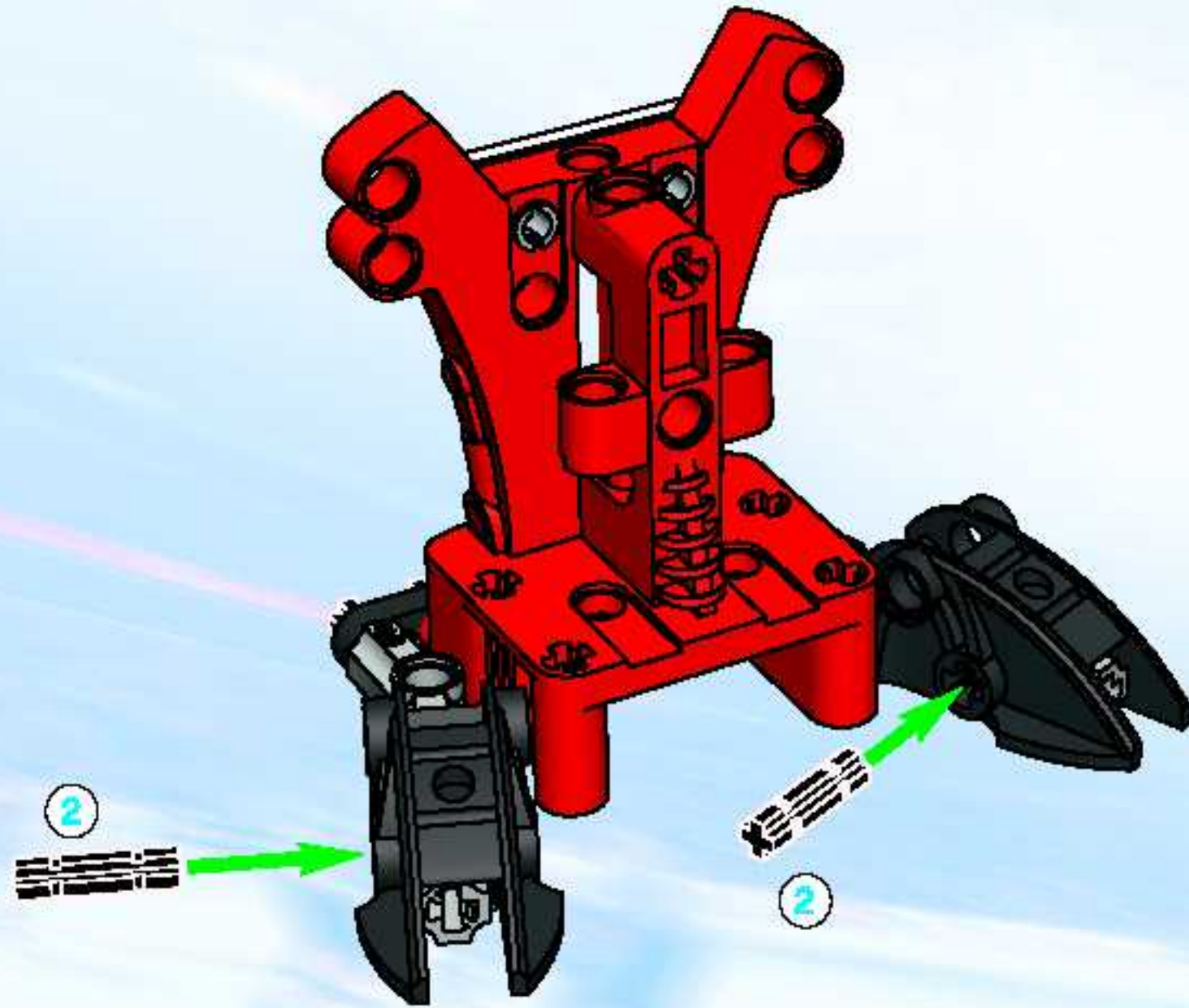


2x

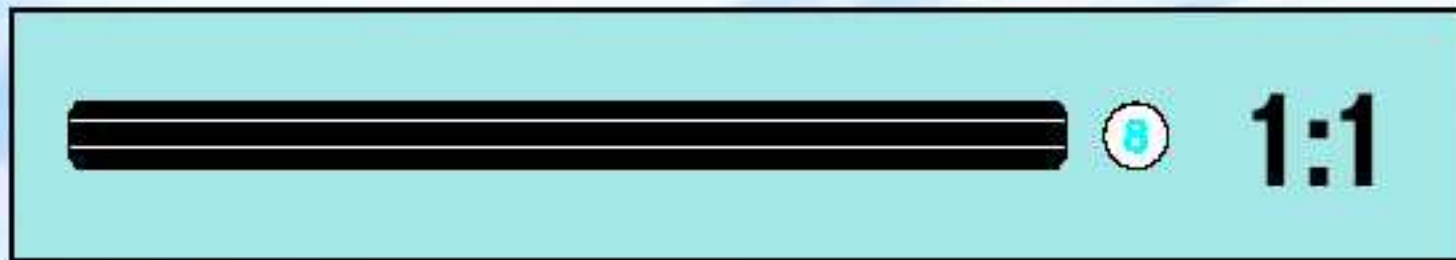
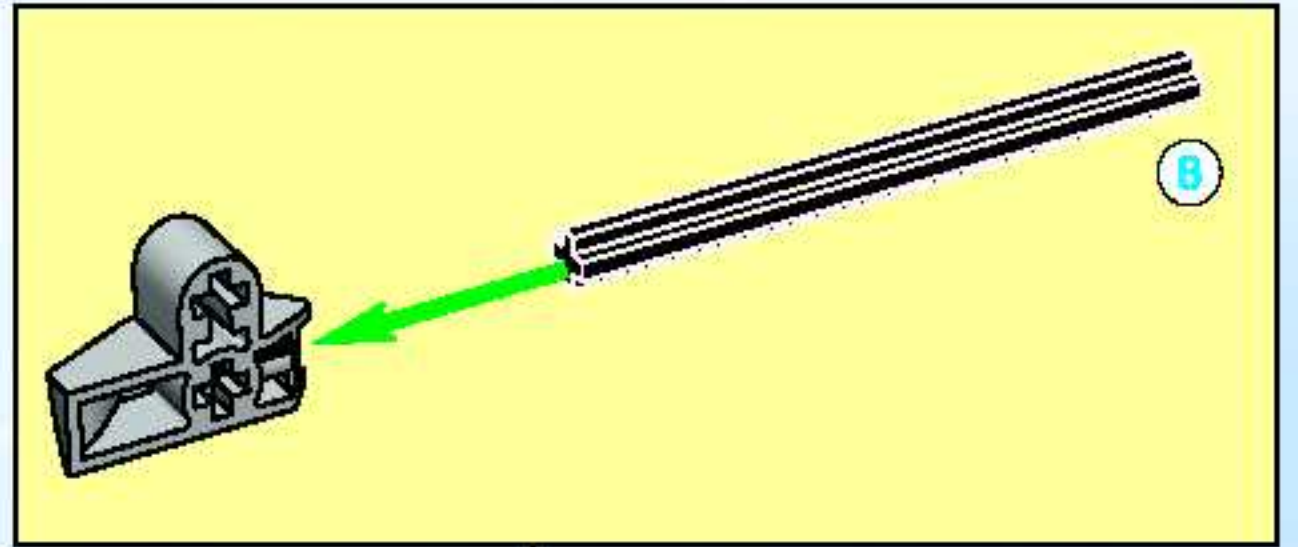
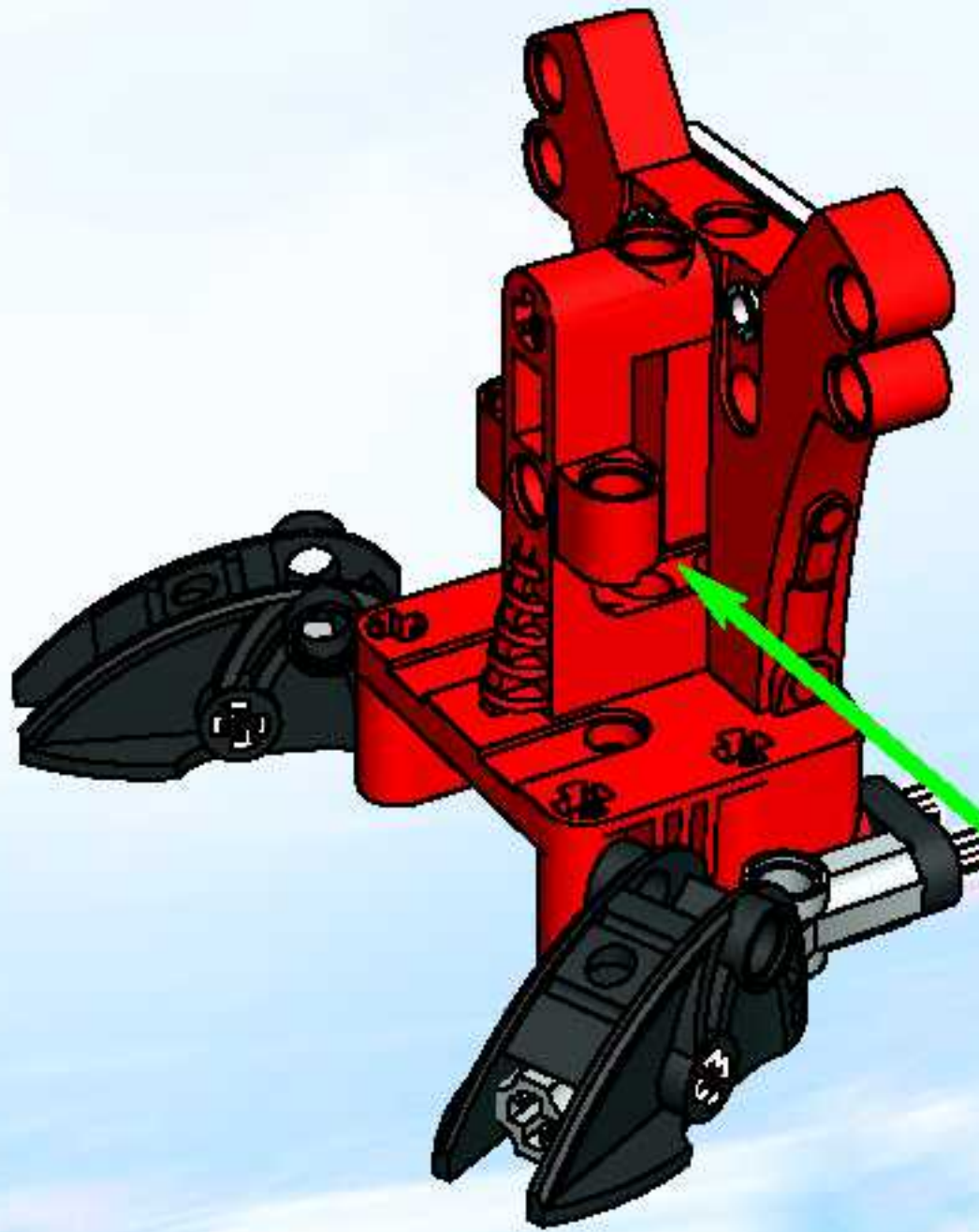
4



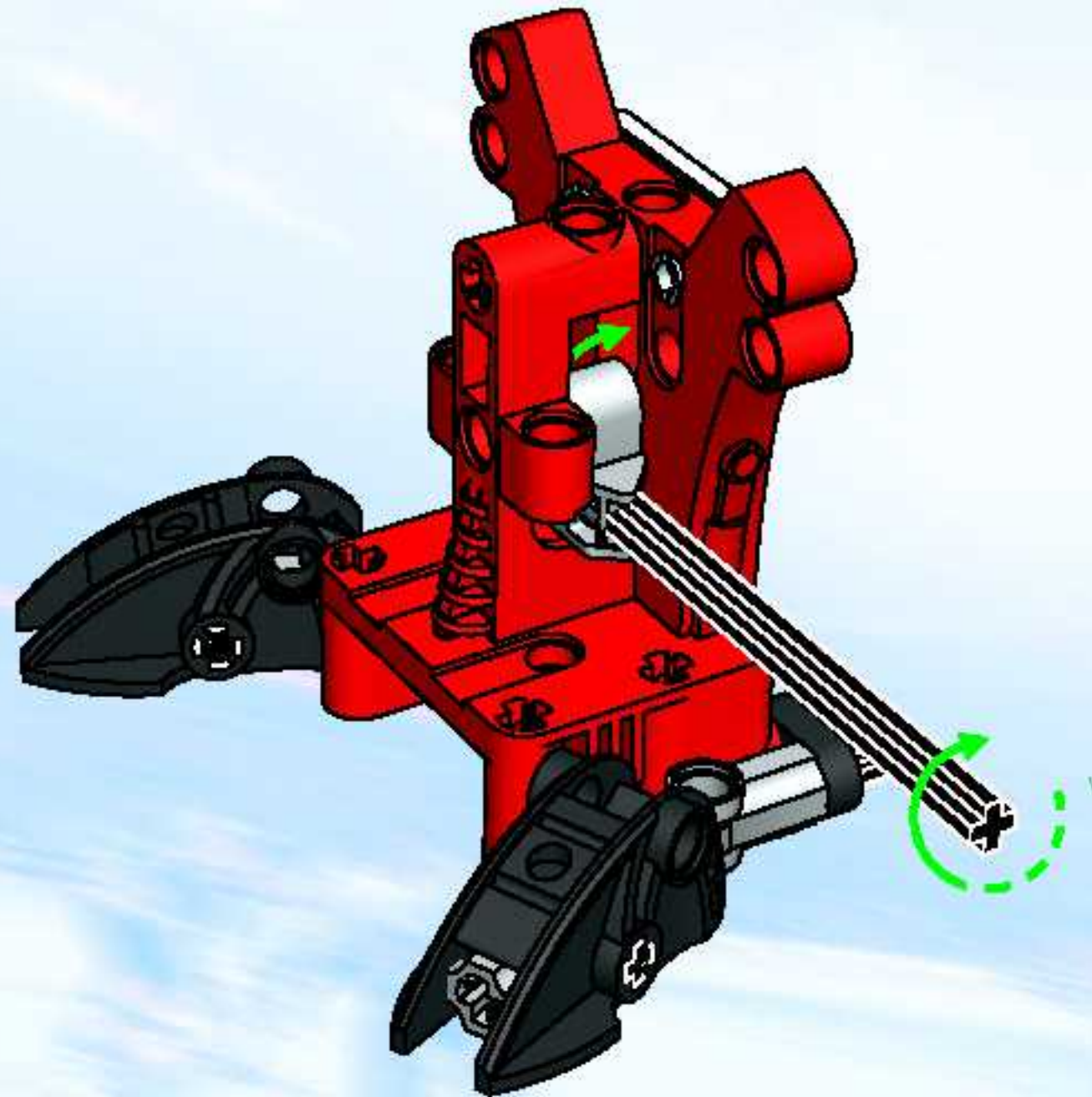
5



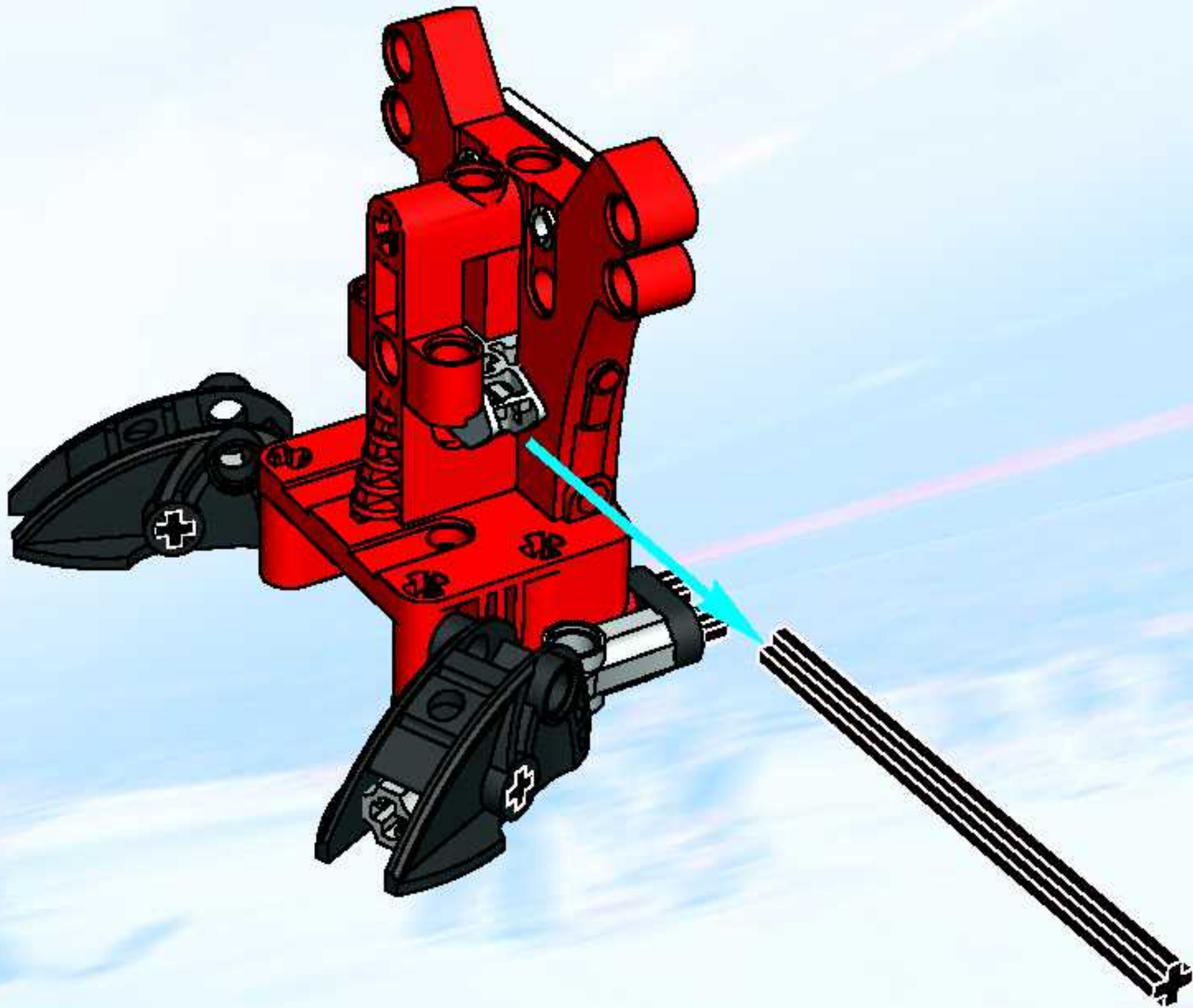
6



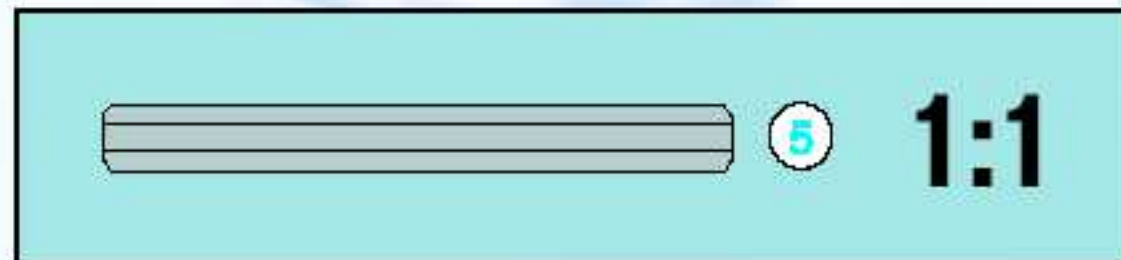
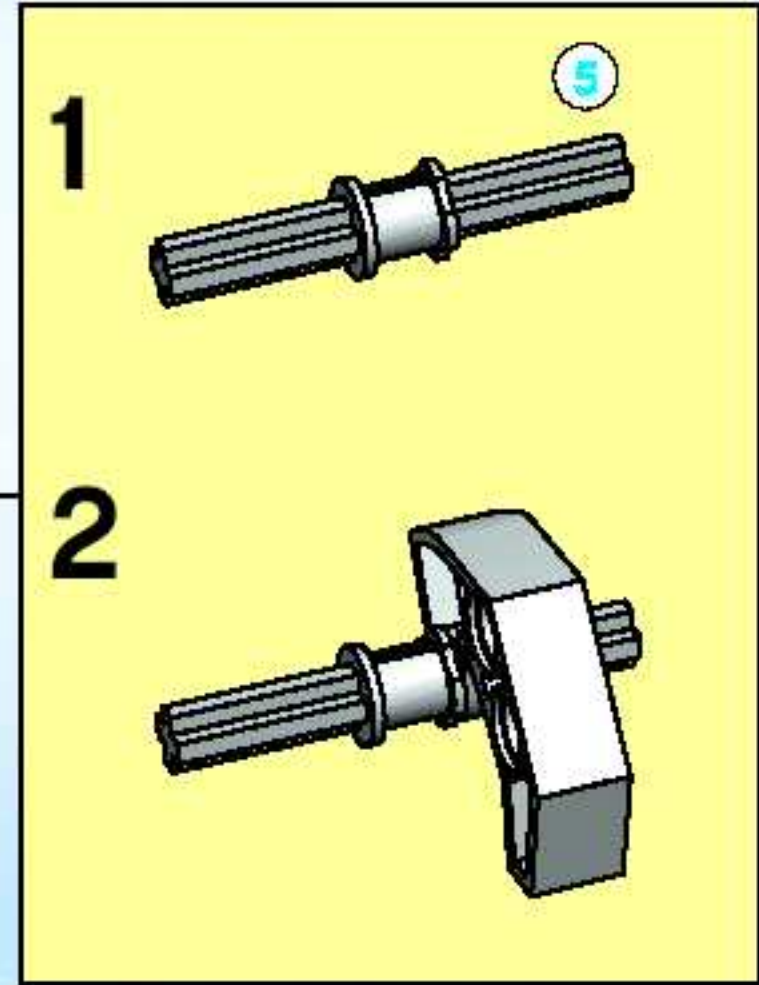
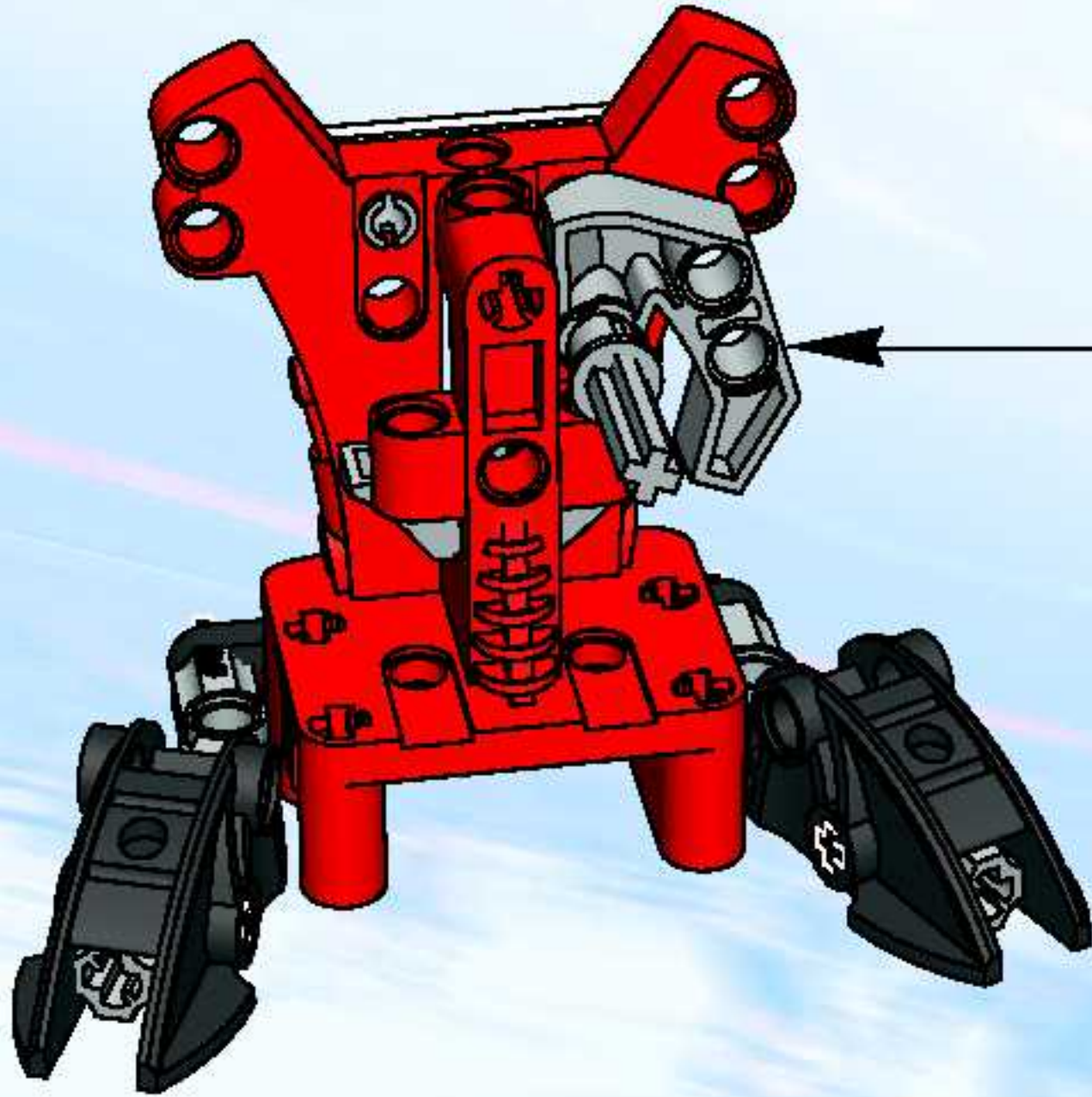
7



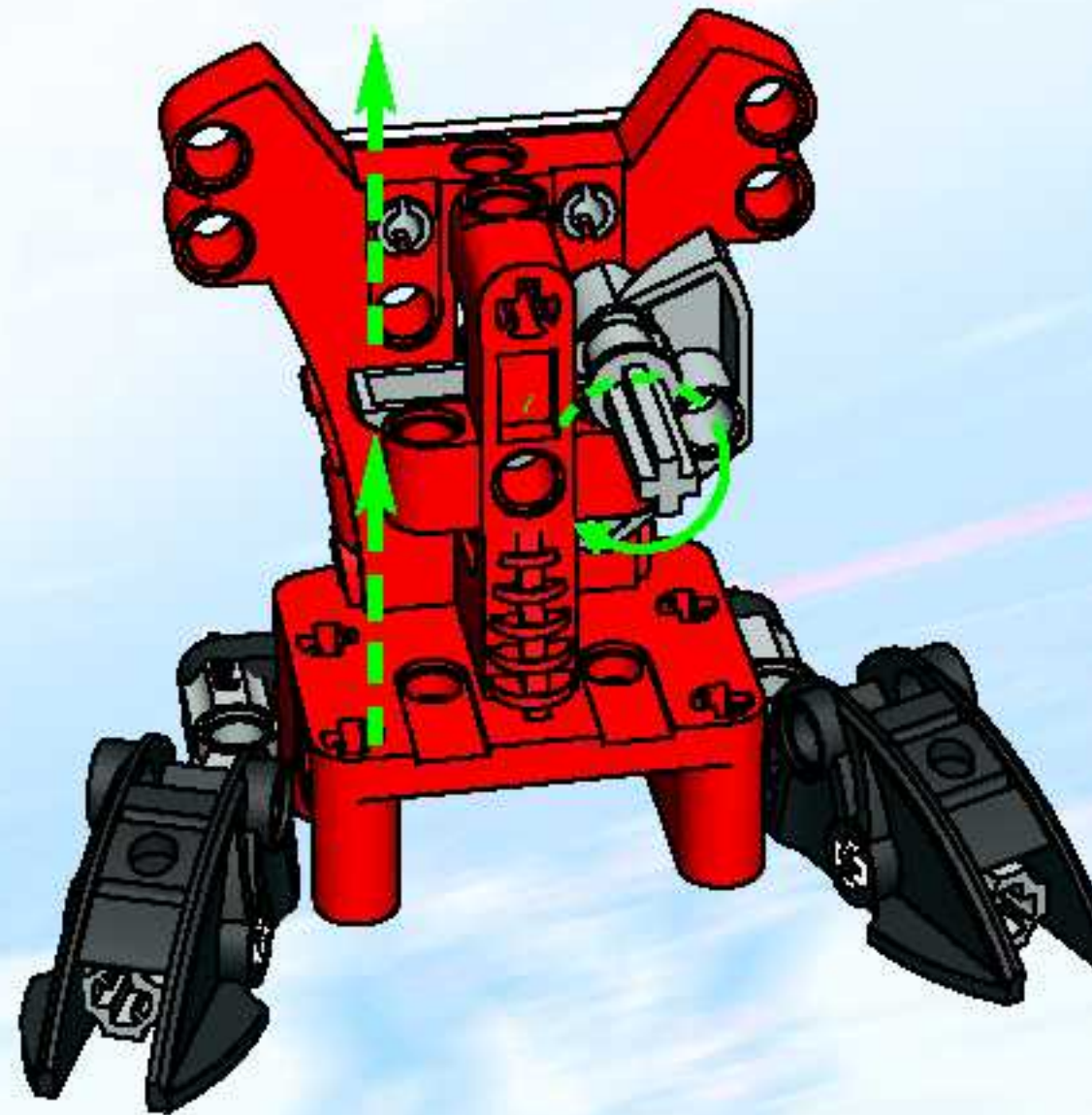
8



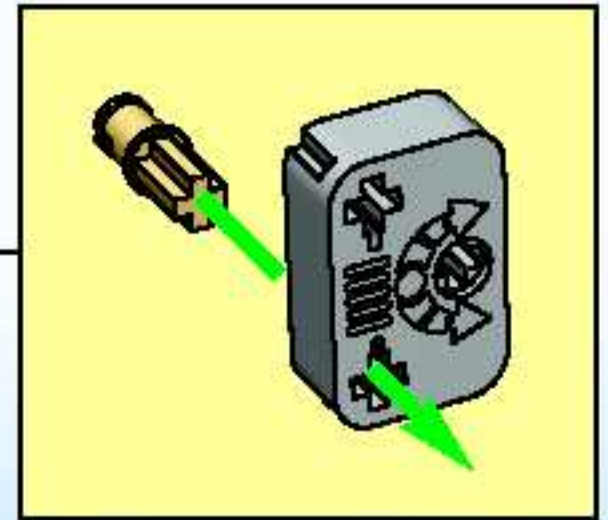
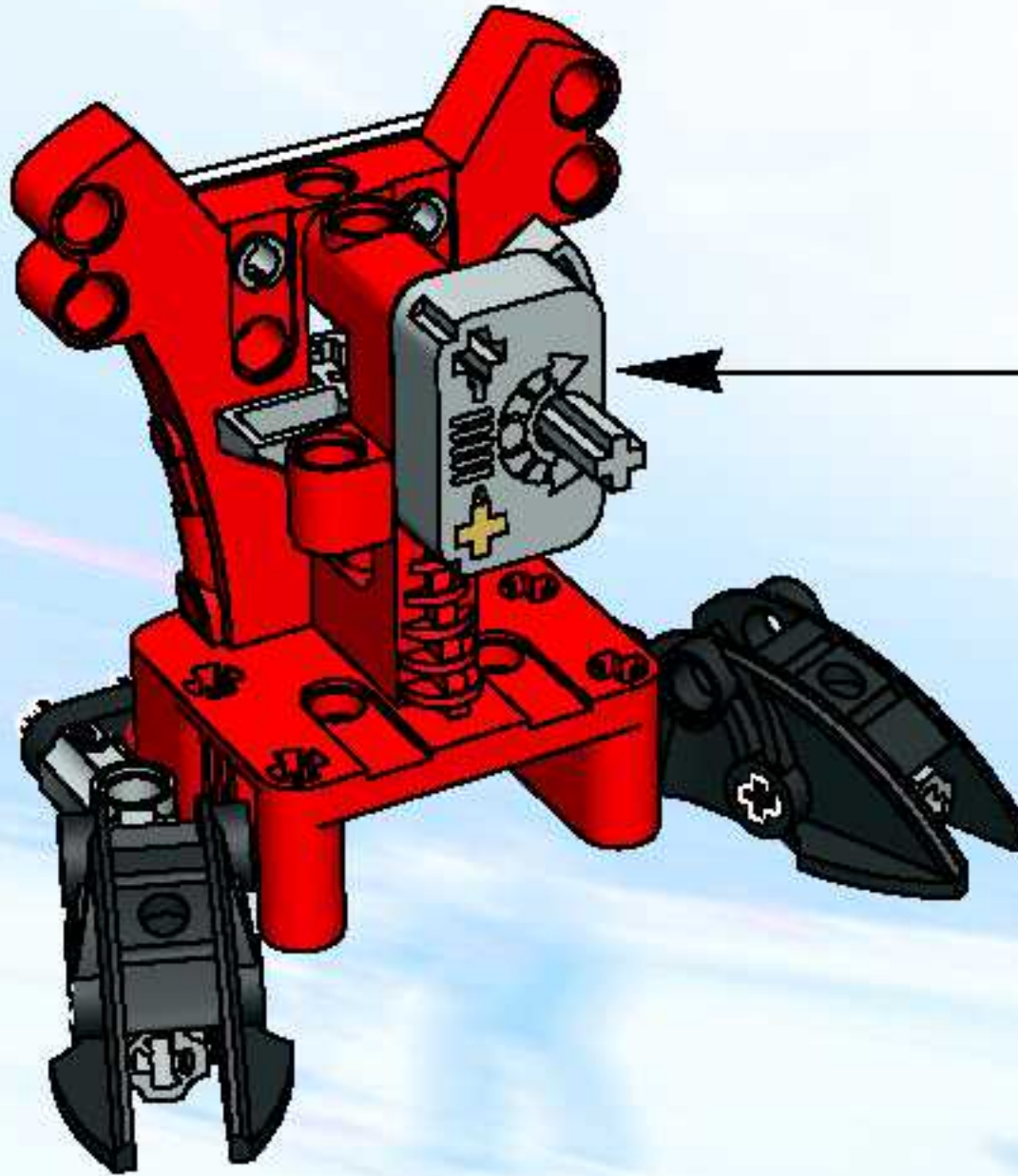
9



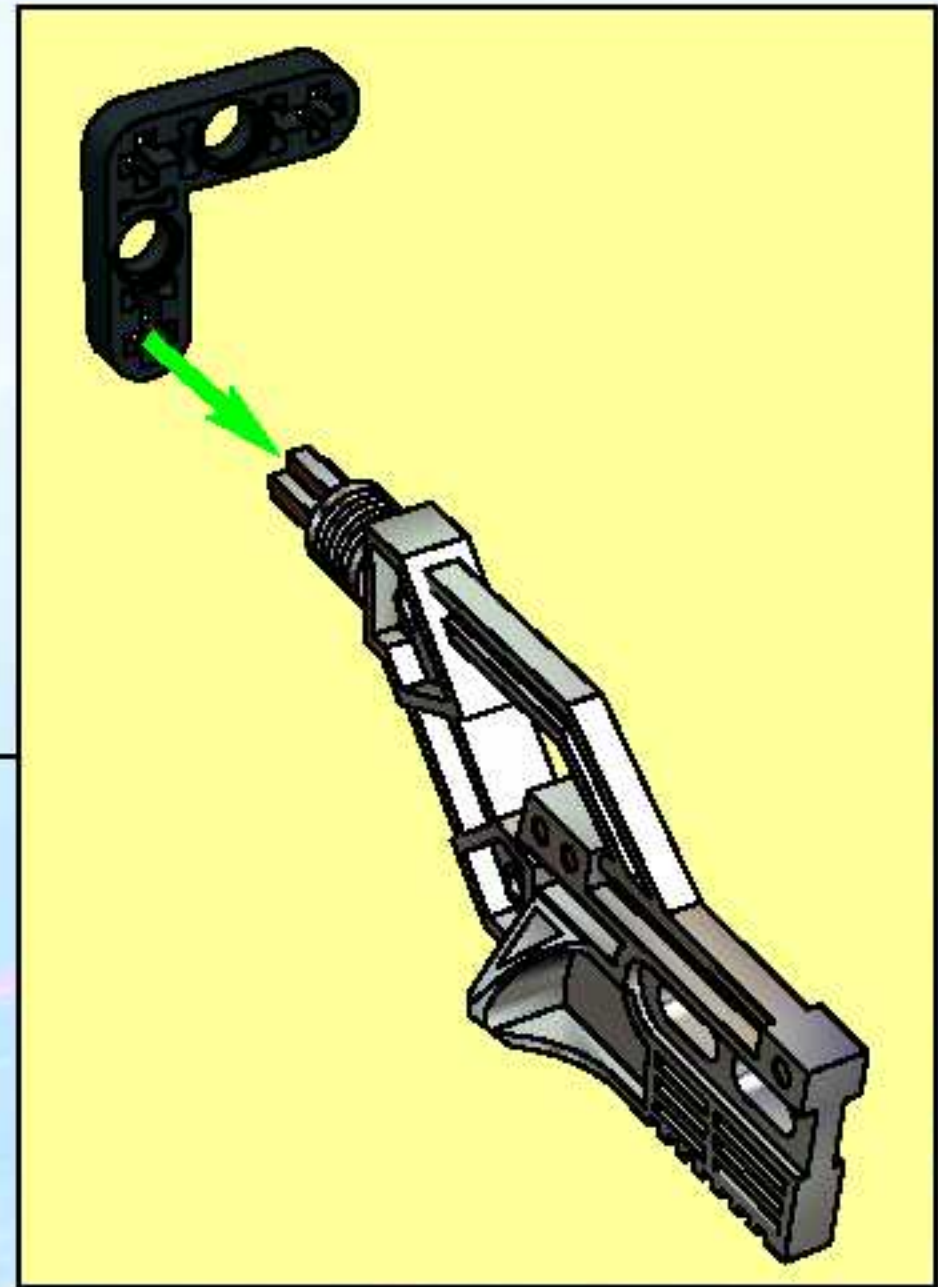
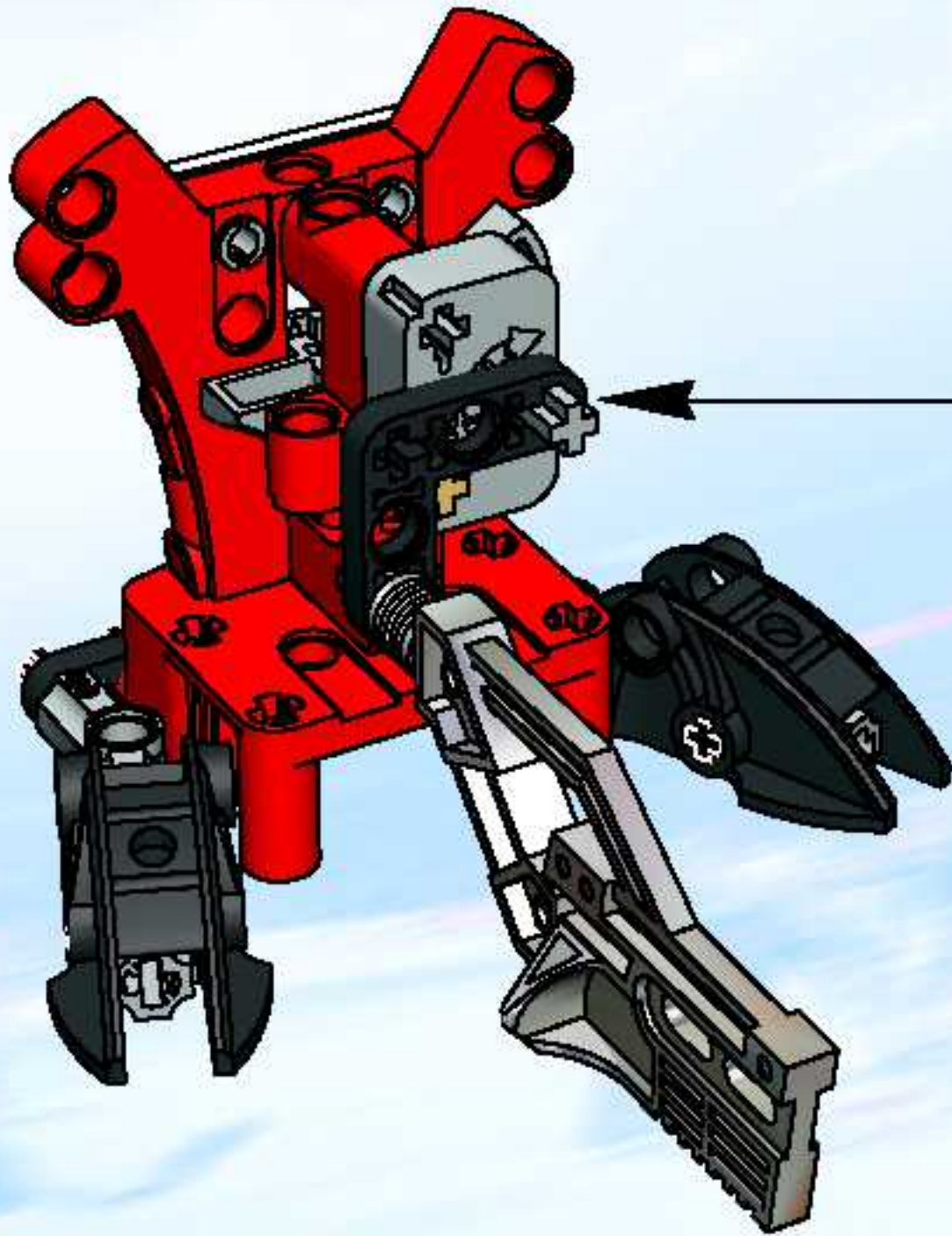
10



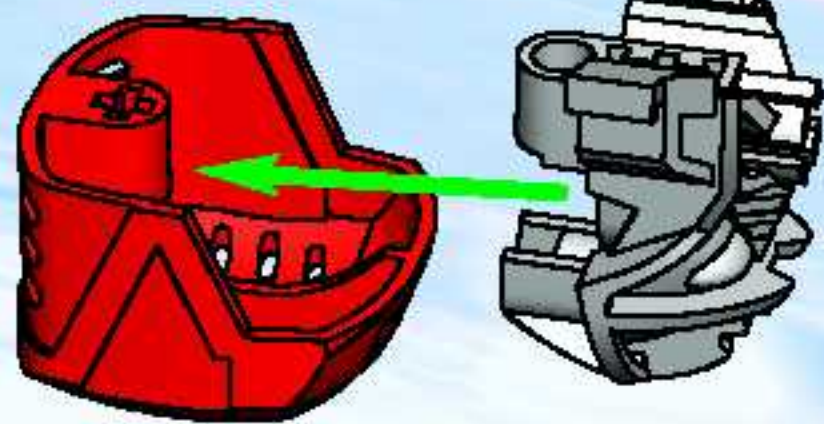
11



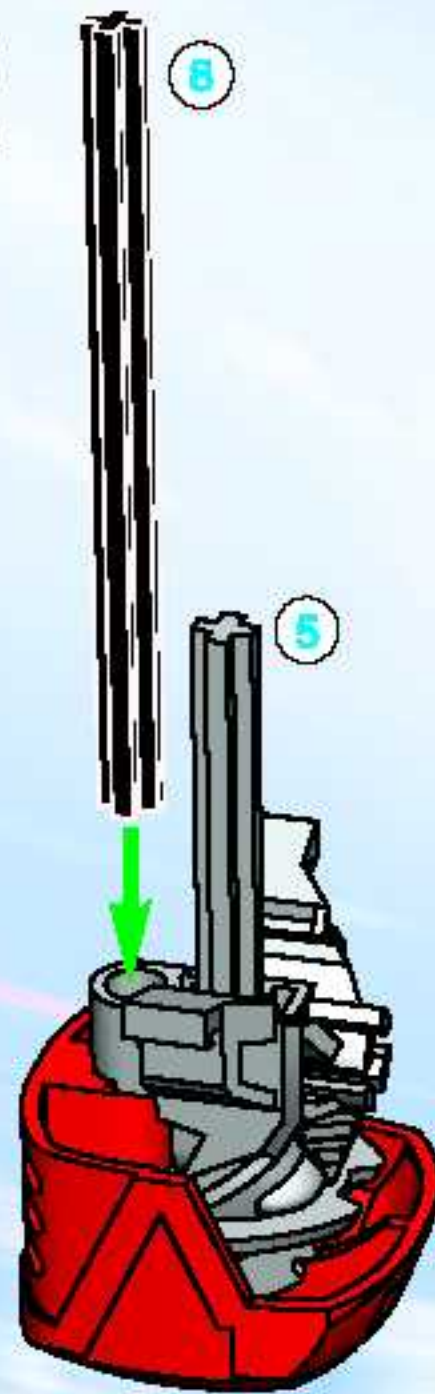
12



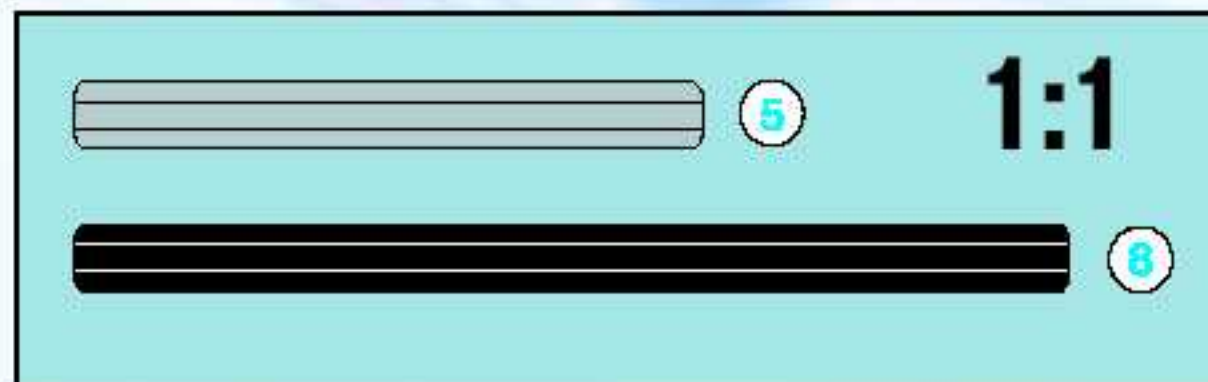
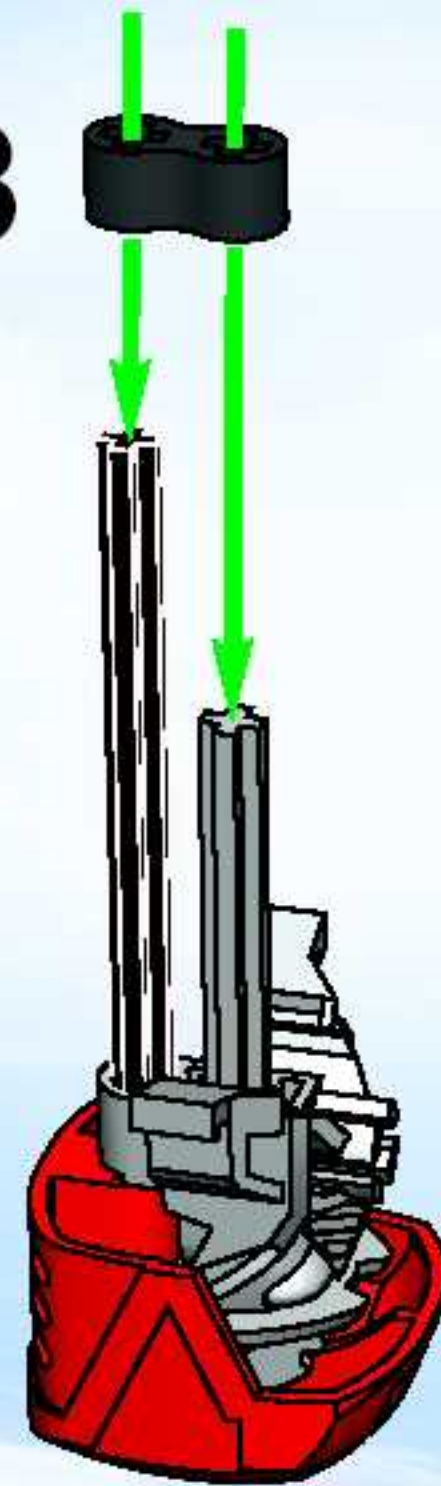
1



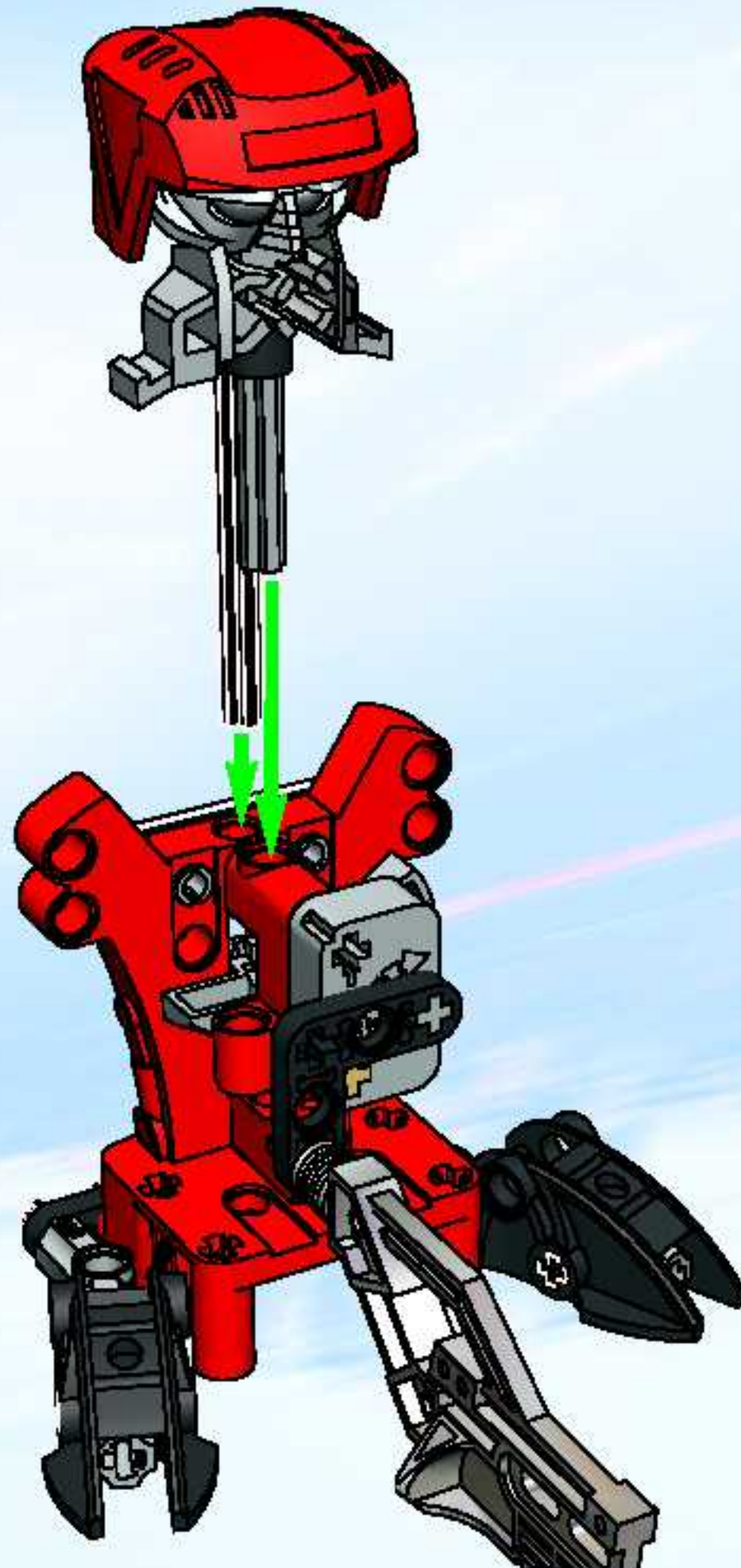
2



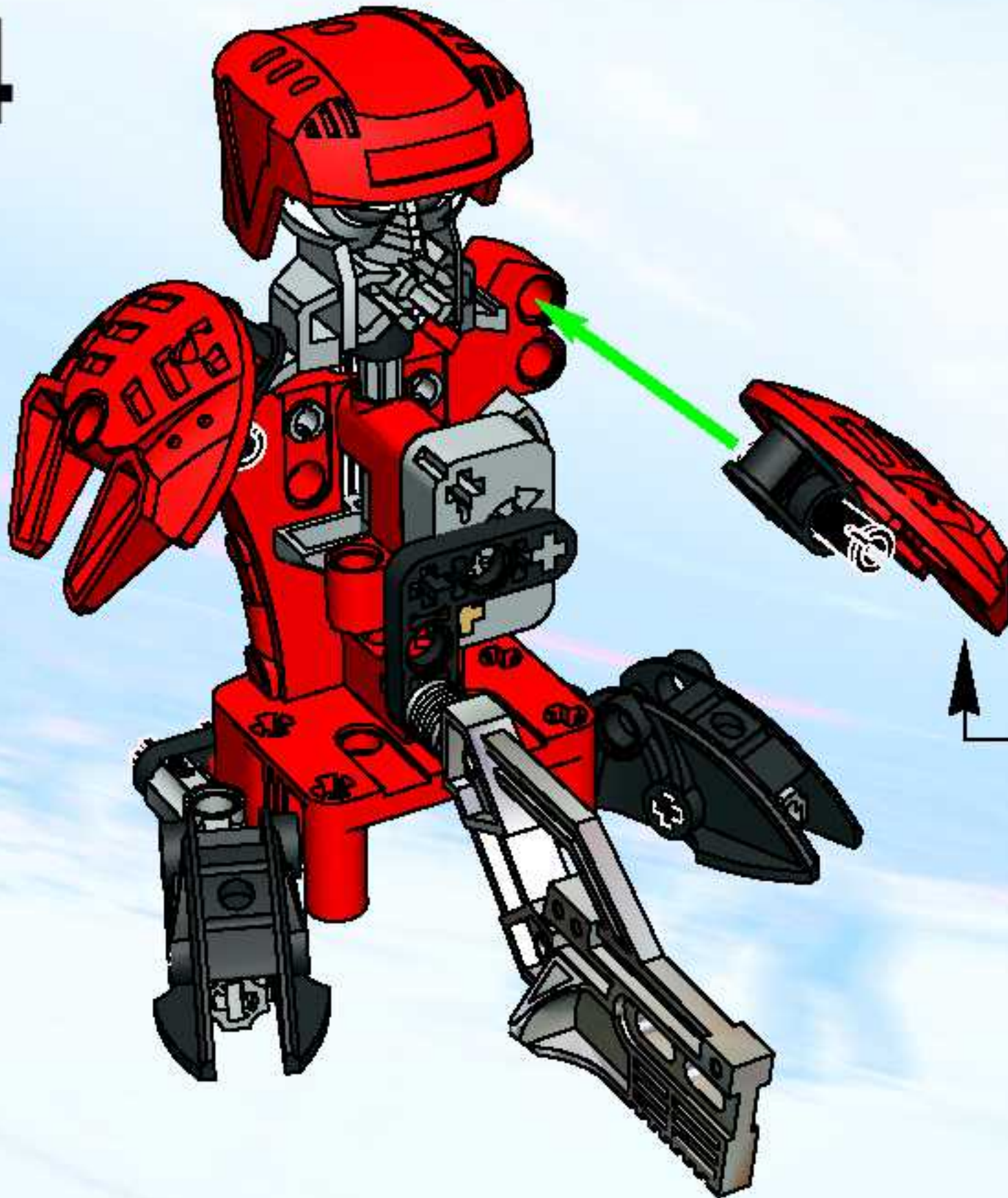
3



13



14



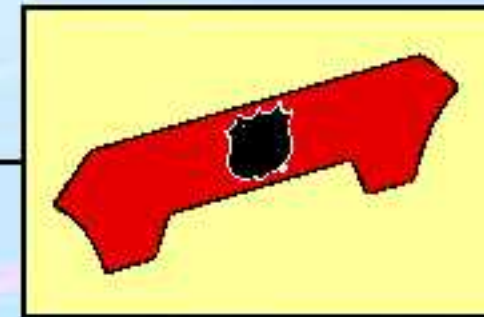
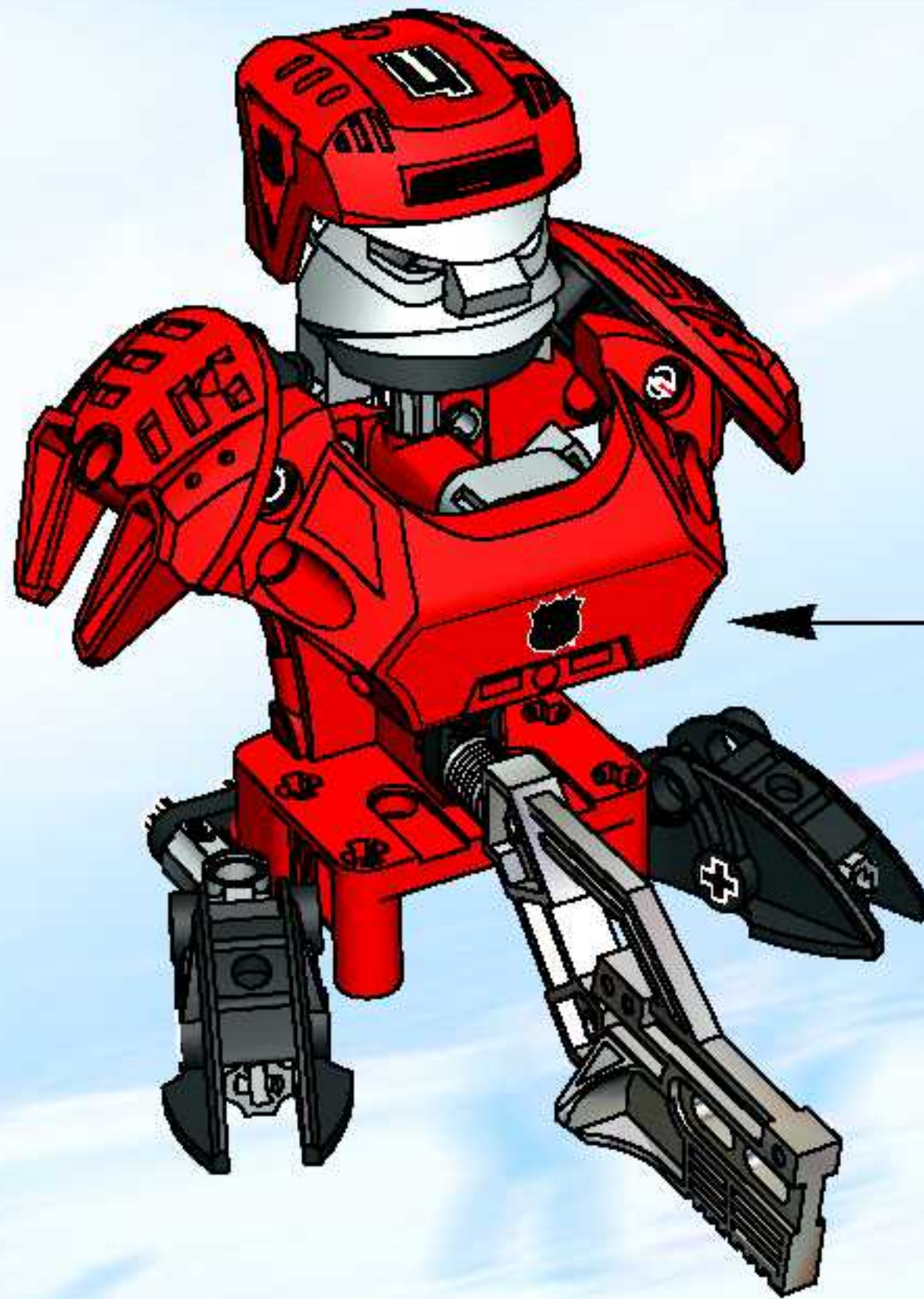
1

2

2x

A yellow rectangular inset box containing two numbered steps. Step 1 shows a black component with a hole and a green arrow pointing to it. Step 2 shows the red and black component from the main diagram with a green arrow pointing to a hole on its black base. The text '2x' is in the bottom right corner.

15



16





LEGO



www.LEGO.com/sports

nhlpa
.COM



LEGO, the LEGO logo and the Minifigure are trademarks of the LEGO Group.

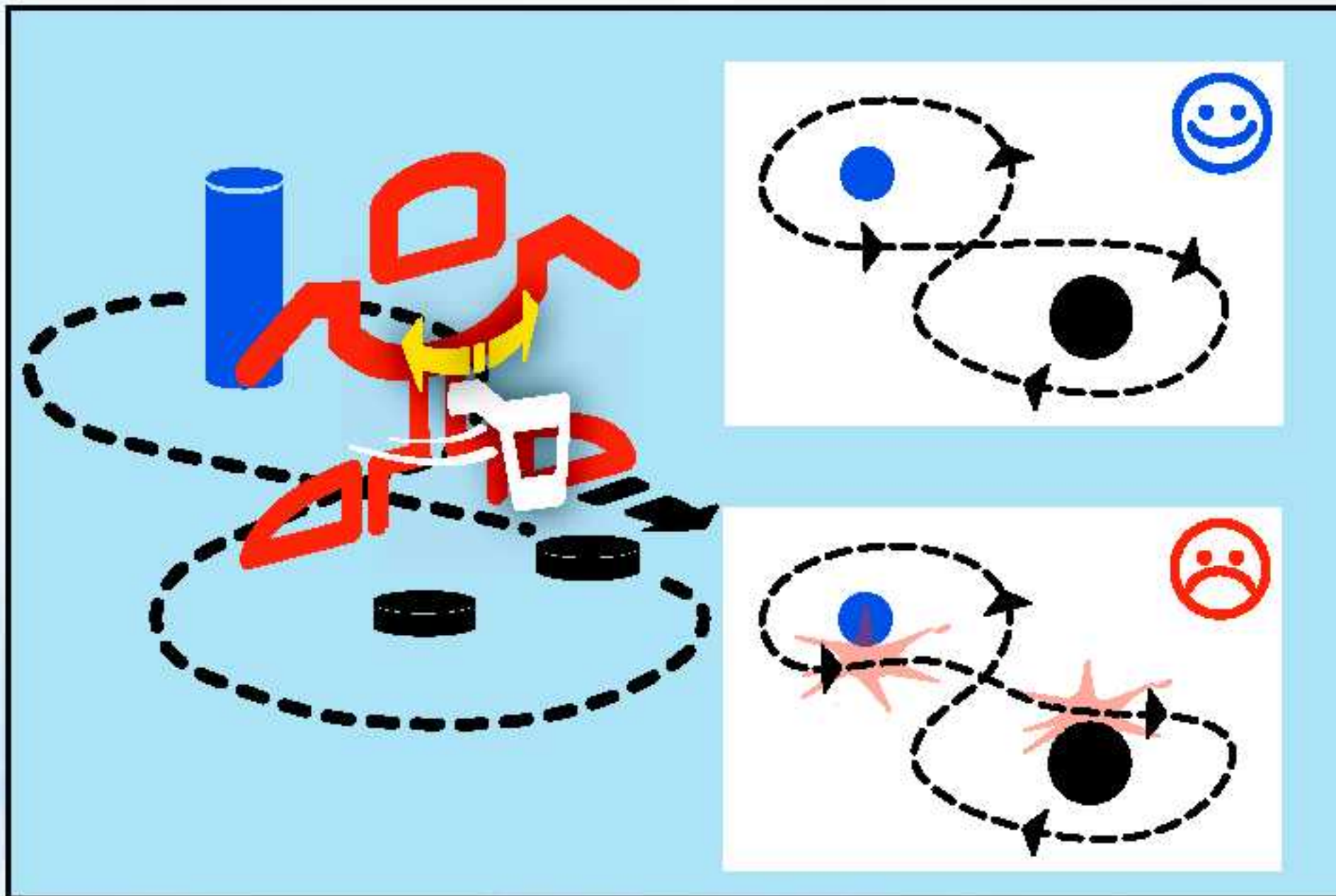
©2003 The LEGO Group.

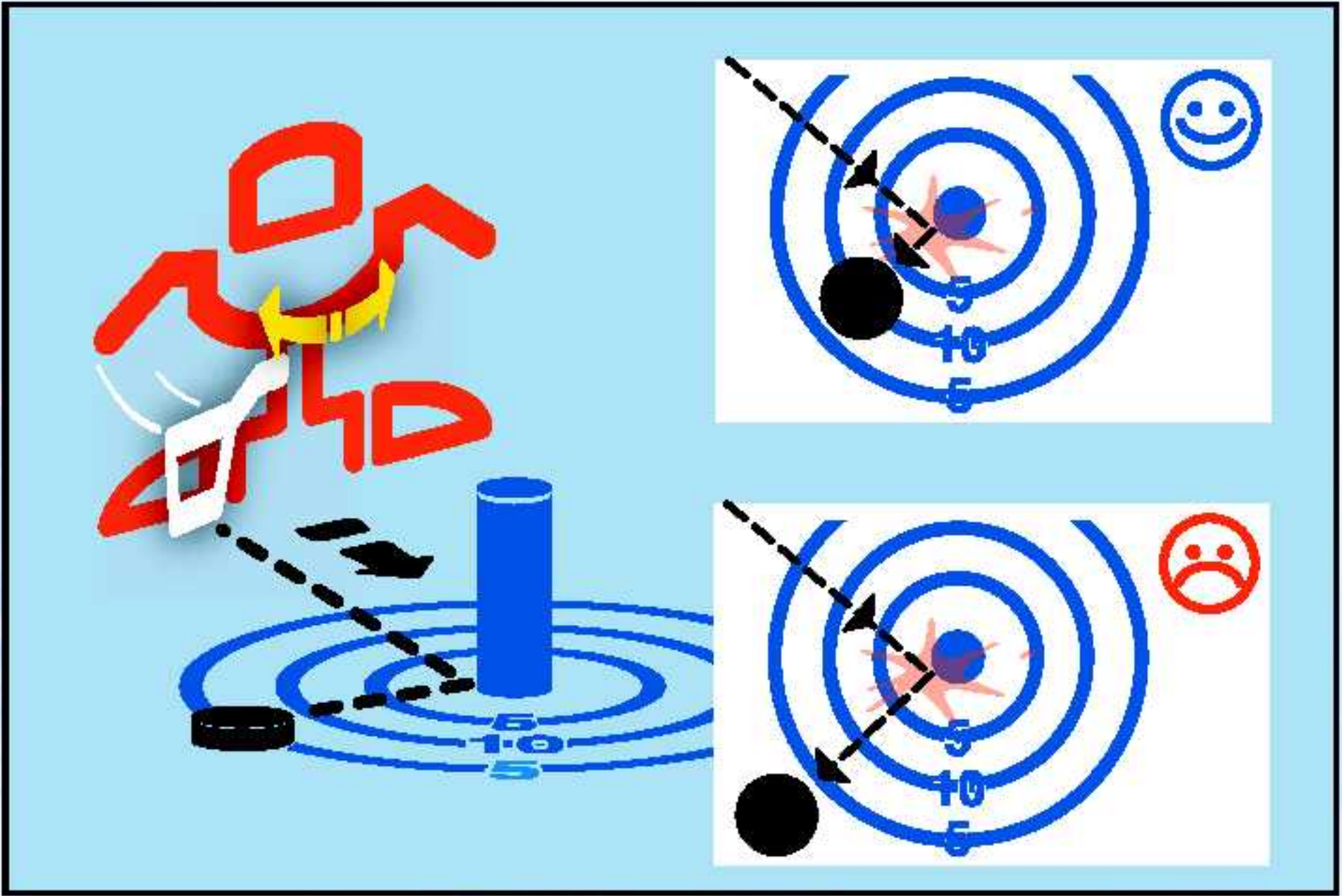
NHL and the NHL Shield are registered trademarks of the National Hockey League. All NHL logos and marks and team logos and marks depicted herein are the property of the NHL and the respective teams and may not be reproduced without the prior written consent of NHL Enterprises, L.P. © NHL 2003. All Rights Reserved.

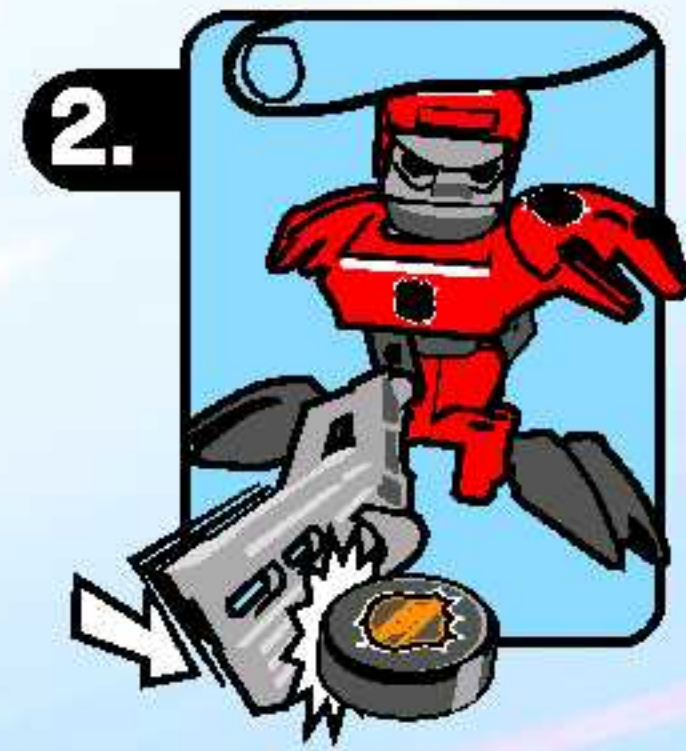
© NHLPA. NHLPA, National Hockey League Players' Association and the NHLPA logo are trademarks of the NHLPA.















- | | | | |
|------|--|--|--|
| 3560 | | | |
| 3561 | | | |
| 3562 | | | |
| 3563 | | | |
| 3564 | | | |
| 3565 | | | |
| 3566 | | | |
| 3567 | | | |



3535



3537



3538



3585



3536



3540 + 3543 =



BG: Почерете рпеји yHOTpeдa

LT: Prieš naudojimą nuvalyti

ET: Enne tarvitamist puhastada

LV: Pirms lietošanas jānotīra

TR: Kullan önce temizleyin



KO: 김모형으로 빗몸이A7 전에 깨끗0 씻어주세요

RU: Перед использованием очищать

PL: Wyczyścić przed użyciem

CS: Před použitím omyjte vodou.

SK: Před použitím umyte vodou.

HU: Használat előtt tisztítsd meg!

UA: Перед використанням очищати



HR: Očistite prije uporabe

SR: Очистити пре употребе

SL: Pred uporabo očisti

RO: A se curăța înainte de utilizare

EN: Clean before use

DE: Bitte vor Gebrauch reinigen

FR: Nettoyer avant usage

IT: Pulire prima dell'uso

NL: Vóór gebruik reinigen

ES: Limpiar antes de usar

DA: Rengøres før brug

FI: Puhdistaa ennen käyttöä

SV: Rengör innan användning

PT: Limpar antes da utilização

EL: Καθαρίστε πριν τη χρήση

JP: 汚れを落とすことから使用してください。

SPORTS

LEGO



NBA identifications depicted are the exclusive property of NBA Properties, Inc. and/or the NBA Member Teams, and are used with permission.

SPALDING is a trademark of Spalding Sports Worldwide, Inc. or Lisco Sports, Inc., a Spalding affiliate.
© Spalding Sports Worldwide, Inc. 2003.



WWW.LEGO.COM/sports

LEGO, the LEGO logo and the Minifigure are trademarks of the LEGO Group. ©2003 The LEGO Group.

adidas, the adidas logo and the three stripe trademark are registered trademarks of the adidas-Salomon group, used with permission. Fevernova and the Trigon logo are trademarks of the adidas-Salomon group, used with permission.

NHL and the NHL Shield are registered trademarks of the National Hockey League. All NHL logos and marks and team logos and marks depicted herein are the property of the NHL and the respective teams and may not be reproduced without the prior written consent of NHL Enterprises, L.P. © NHL 2003. All Rights Reserved.